



ACHTUNG !!

nur mit dem grünen Erdball gekennzeichnete Produkte
sind für EU & Schweiz/Liechtenstein erhältlich.

Pablo[®]
2023
PRODUCT GUIDE

See the Light

CELEBRATING
30 YEARS OF
ILLUMINATION

ABOUT PABLO DESIGNS

Pablo's designs have been propelled to the forefront of American contemporary lighting by an uncompromising devotion to simplicity and utility. By fusing the highest technical sensibilities with the most appropriate material palette, Pablo is able to create unique, timeless designs with the power to transform any environment. Pablo was founded in San Francisco in 1993 by Venezuelan born industrial designer Pablo Pardo. Embracing a less-is-more ideology, Pablo frequently challenges traditional design metaphors, developing more practical solutions distilled down to their essence, form and light. A common thread links all of its creations, valuing permanence and sustainability, discarding the disposable mindset so prevalent today. Its mission is to create designs that deepen the relationship between objects, their users, and their environments.

FOUNDER / CREATIVE DIRECTOR

Pablo Pardo

With the creation of his first product in 1993, Pablo established a powerful and generative design philosophy. Since then, his core principles have informed the development of every light in the studio's 30-year history. These products continue to move with culture while withstanding trends in design and each one carries the underlying uniqueness that is distinctly "Pablo."



DESIGN COLLABORATIONS



John August

Located in San Francisco, August is a furniture and product designer. As an accomplished craftsman and machinist he employs a hands-on approach to the design and engineering of objects, always in pursuit of the space between art and function. Equally at home with traditional hand tools, 3D modeling software, or advanced CNC machinery, August explores the stillpoint between the deep soul of the hand-made with the precision of quality mass-production.



Brad Ascalon

Brad Ascalon's multidisciplinary Manhattan studio was founded in 2006. With a reductive approach to his craft, Ascalon believes in design that is uncomplicated, rational and manages to find the perfect balance of form, function and concept. Ascalon's work has been exhibited around the world, and in 2013 he was singlehandedly invited to represent American design with an installation at Moscow Design Week. Ascalon earned a Masters' degree for Industrial Design from New York's Pratt Institute in 2005, and that same year was recognized by Wallpaper magazine as one of the "Ten Most Wanted" emerging designers in the world. He attributes his passion for design to the two generations before him who instilled the value of craftsmanship and rigor.



Carmine Deganello

Based in Amsterdam and Milan, Deganello's creative process begins with materiality and an empirical approach that is highly experimental. Research on materials and the ways in which they can unexpectedly drive the productive process is essential to his work. His work includes: Solis, Uma, Talia, and T.O, all of which demonstrate his shared sensibilities and long-term collaboration with Pablo. Deganello has worked extensively in Europe as well as the United States, his projects have been presented, among others, at the Triennale Design Museum as part of the New Italian Design collection. He is a graduate of Florence's Instituto Superiore per la Industrie Artistiche.



Fernando Pardo

Since lending his craftsmanship to companies such as Sony, Dell, Emblaer, Compaq, Pablo, BMW, and others, Pardo has been internationally recognized as a leading design thinker. His "Gina" car for BMW won the "Concept Car of the Year" award in 2008, and, in addition to being showcased in the BMW Museum in Munich, continues to serve as the foundation for the company's contemporary auto designs. Most recently Pardo received a 2012 Red Dot Award for his lamp, PIXO, which he created with his twin brother, Pablo founder Pablo Pardo. Fernando is a graduate of the design program at the University of Cincinnati.



Peter Stathis

Fascinated by the social and cultural dimensions of objects, Stathis' work seeks to foster meaningful relationships through today's sophisticated, mass-produced environment. He executes this goal by working in both the high-minded and popular realms, having designed for brands ranging from the Museum of Modern Art to Lava Lite. Stathis' original 2006 Tube Top lamp represents one of several contributions to Pablo.



Pablo Studio

The Pablo Studio is a small group of makers and inventors with a diverse background in industrial design and craft, and a deep understanding of manufacturing, materials and technology. They aim to foster a sense of discovery and deeply personal utility in people's interaction with objects. In beginning a new project, the team isolates a concept, meticulously refines it, and then reduces it to its central principle. The studio requires each design element to contribute to the essence of an object, following the Pablo philosophy of "less is more." Pablo Studio works together to develop products that offer people unique experiences and broaden the field of lighting design.

PRODUCT FAMILIES



BEL OCCHIO
8-11



BELMONT
12-15



BOLA DISC
16-25



CAROUSEL
60-69



CIELO PLUS
70-75



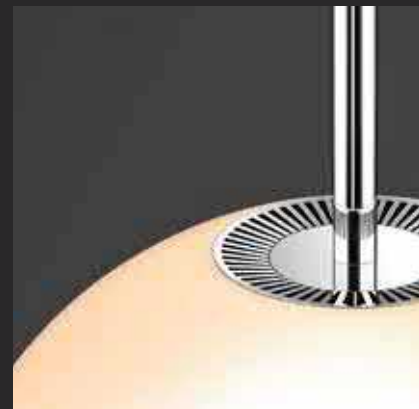
CIELO XL
76-81



BOLA FELT
26-29



BOLA HALO
30-35



BOLA SPHERE
36-43



CIRCA
82-93



CONTOUR
94-99



ELISE
100-105



BOLA LANTERN
44-49



BRAZO
50-55



CANDÉL
56-59



LANA
106-113



LIM
114-121



LINK
122-131

PRODUCT FAMILIES



LUCI
132-139



NIVÉL PORTABLES
140-151



NIVÉL PENDANT
152-159



SWELL
212-221



TALIA
222-227



T.O TABLE & FLOOR
228-237



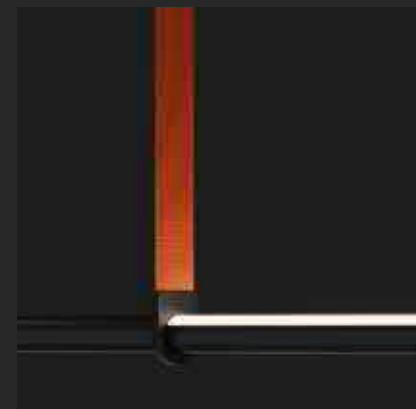
PICCOLA
160-163



PILAR
164-169



PIXO
170-175



T.O PENDANT
238-247



TOTEM
248-263



TUBE TOP
264-271



SKY
176-191



SOLIS
192-205



SUPERLIGHT
206-211

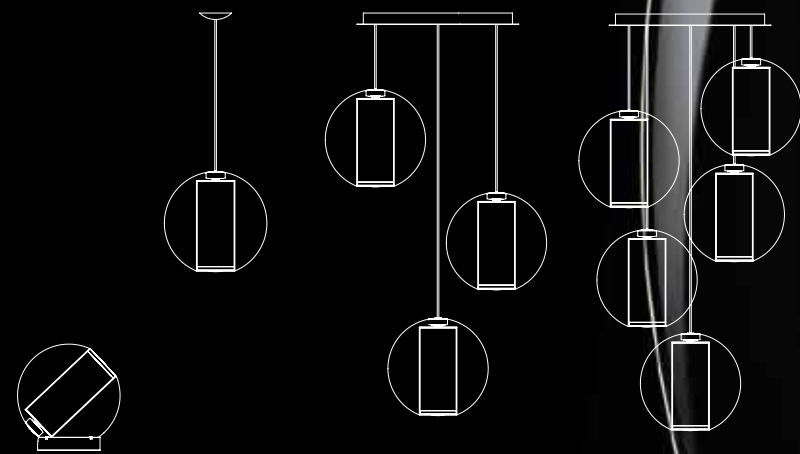


UMA
272-281

BEL OCCHIO

"Bel Occhio is a study in weightlessness and transparency," notes designer Pablo Pardo on his inspiration for this luminaire. "It evokes nature's transformative light." His piece manifests the celestial through a hybrid design: its suspended, inner column creates focused illumination while its surrounding shell produces a transformative ambient glow. These symbiotic elements enable Bel Occhio to act as a multi-position spotlight and a source of atmospheric tenor. They also serve dynamic purposes: Bel Occhio is built as an infinitely adjustable table lamp and a suspended pendant model. Both elements serve to illuminate with comfort and fascinate the imagination.

Designer:
Pablo Pardo 2005



BEL OCCHIO

DESCRIPTION

"Bel Occhio is a study in weightlessness and transparency," notes designer Pablo Pardo on his inspiration for this luminaire. "It evokes nature's transformative light." His piece manifests the celestial through a hybrid design: its suspended, inner column creates focused illumination while its surrounding shell produces a transformative ambient glow. These symbiotic elements enable Bel Occhio to act as a multi-position spotlight and a source of atmospheric tenor. They also serve dynamic purposes: Bel Occhio is built as an infinitely adjustable table lamp and a suspended pendant model. Both elements serve to illuminate with comfort and fascinate the imagination.

FIXTURE TYPE

Pendant
Table

LIGHT SOURCE

(1) 2900K E26 med base 53W BT15 bulb: 1050lm

LIGHT CONTROL

Fully dimmable (Pendant)
in-line slide dimmer (Table)

FEATURES

Compatible with TRIAC/ELV dimmers (Pendant)
360° rotation (Table)

SPECIFICATIONS

Voltage: 120-240V
Cable length: 8' (243.8cm)

CERTIFICATIONS

UL listed components



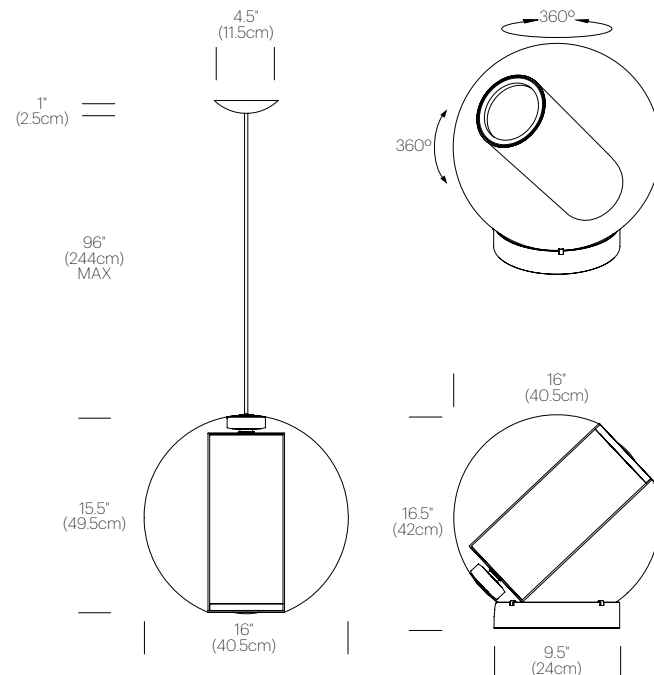
FINISHES



CLEAR/WHITE



CLEAR/ORANGE



PRODUCT CODES

Bel Occhio Pendant (Clear/White):	BELO 16 WHT PEN
Bel Occhio Pendant (Clear/Orange):	BELO 16 ORG PEN
Bel Occhio 3 Pendant (Clear/White):	BELO 16/3 WHT
Bel Occhio 3 Pendant (Clear/Orange):	BELO 16/3 ORG
Bel Occhio 5 Pendant (Clear/White):	BELO 16/5 WHT
Bel Occhio 5 Pendant (Clear/Orange):	BELO 16/5 ORG
Bel Occhio Table (Clear/White):	BELO 16 WHT TBL
Bel Occhio Table (Clear/Orange):	BELO 16 ORG TBL

PACKAGING WEIGHT AND DIMENSIONS

Bel Occhio:	11.7LBS	18.5" X 19" X 21"
(Pendant)	5.3KGS	47cm X 48cm X 53cm
BEL OCCHIO:	11.7LBS	18.5" X 19" X 21"
(Table)	5.3KGS	47cm X 48cm X 53cm

NOTES

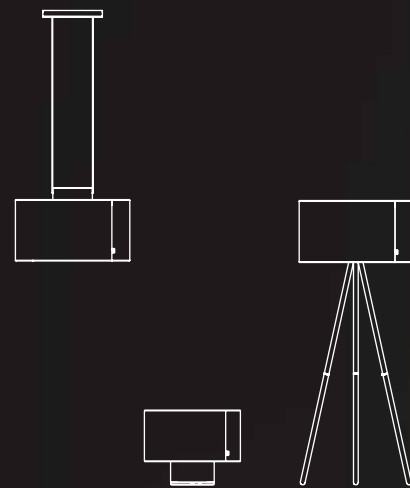
Custom tube colors available on volume orders.



BELMONT

The Belmont Collection was a collaborative creation with designer Brad Ascalon. Re-envisioning the traditional fabric shade lamp, but with the warmth and preciousness of hand crafted furniture. Belmont's iconic, yet reductive form creates a natural canvas for displaying an exquisite array of textiles from premium wool to colorful woven fabrics that can be paired with a solid crafted oak wood armature. Belmont Pendant can be hung individually or in stunning groupings to provide warm and comfortable illumination to complement any residential, contract, or hospitality setting. Belmont is also available in stunning table and floor standing models to bring warmth and beauty to any environment.

Designer:
Brad Ascalon 2018 + Pablo Studio 2019



BELMONT

DESCRIPTION

The Belmont Collection was a collaborative creation with designer Brad Ascalon re-envisioning the traditional fabric shade lamp but with the warmth and preciousness of hand crafted furniture.

FIXTURE TYPE

Pendant, Table, Floor

LIGHT SOURCE

(2) E26 medium base A21 LED bulbs,
15W (100W equivalent) 1600 lm per bulb
Optional: (2) BT-15 Halogen, 72W, 1490 lm per bulb

LIGHT CONTROL

Hard-Wired, dimmable
Compatible with TRIAC/ELV dimmers

FEATURES

Full range dimming

SPECIFICATIONS

Voltage: 120 or 240V 50/60Hz
Power Consumption: 30W (2x 15W LED bulbs)
Color Temperature: 2700K
Luminosity: 3200 Lumens
Luminaire efficacy: 106 Lumens/Watt
Color Rendition Index: 90 CRI
Cable Length: 10' (3m) Field Cuttable

CERTIFICATIONS



PRODUCT CODES

Belmont 22 (Silverdale):	BELM 22 GRY
Belmont 22 (Charcoal):	BELM 22 GPT
Belmont 22 (White):	BELM 22 WHT
Belmont Table (Charcoal/Oak):	BELM TBL GPT/OAK
Belmont Table (Charcoal/Walnut):	BELM TBL GPT/WAL
Belmont Table (Silverdale/Oak):	BELM TBL GRY/OAK
Belmont Table (Silverdale/Walnut):	BELM TBL GRY/WAL
Belmont Table (White/Oak):	BELM TBL WHT/OAK
Belmont Table (White/Walnut):	BELM TBL WHT/WAL
Belmont Floor (Charcoal/Oak):	BELM FLR GPT/OAK
Belmont Floor (Charcoal/Walnut):	BELM FLR GPT/WAL
Belmont Floor (Silverdale/Oak):	BELM FLR GRY/OAK
Belmont Floor (Silverdale/Walnut):	BELM FLR GRY/WAL
Belmont Floor (White/Oak):	BELM FLR WHT/OAK
Belmont Floor (White/Walnut):	BELM FLR WHT/WAL

PACKAGING WEIGHT AND DIMENSIONS

Belmont Pendant	8.75LBS	22.5" X 18"
	4KG	57cm X 45.5cm
Belmont Table	11LBS	22.5" X 17" X 8.5"
	5KG	57.2cm X 43cm X 17.8cm
Belmont Floor	7.7LBS	22.5" X 17" X 8.5"
(Shade)	3.5KG	57.2cm X 43cm X 17.8cm
Belmont Floor	5.7LBS	28.9" X 4.1" X 3.9"
(Legs)	2.4KG	73.5cm X 10.3cm X 10cm

NOTES

Custom requests can be considered on volume orders



FINISHES

WOOD



OAK

FABRIC



CHARCOAL



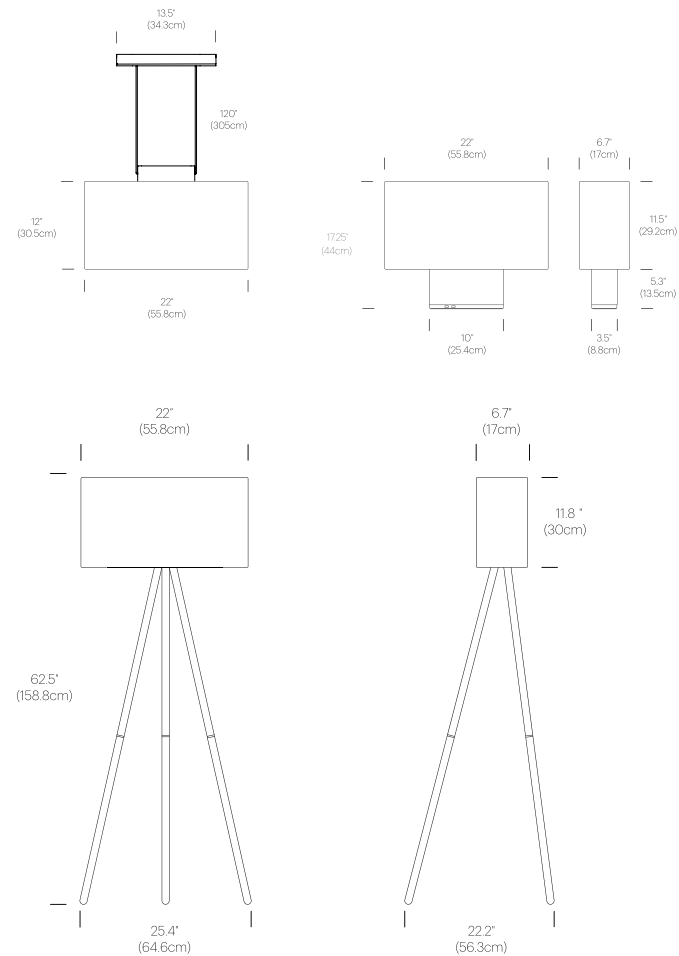
SILVERDALE



WHITE

DIMENSIONS

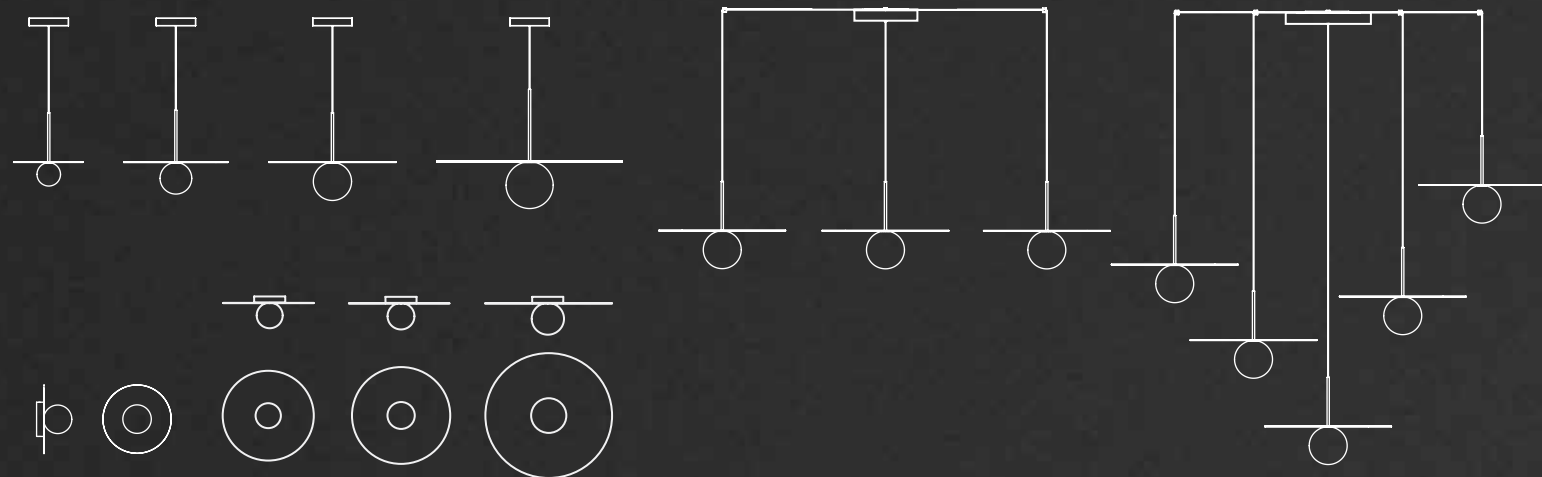
BELMONT PENDANT, TABLE, FLOOR



BOLA DISC

Bola Disc is a uniquely expressive LED Lighting system featuring a distinctive range of chromated disc reflectors that give the illusion of weightlessness by mirroring its surroundings. Bola Disc pairs an elegant globe diffuser made of opaline glass with exquisitely polished stainless steel or aluminum discs in chrome, brass, rose gold, gunmetal, lacquered white, and matte black to appease the most discerning tastes. Dependent on size, Bola provides up to 1625 lumens of warm ambient light and is fully dimmable, providing unparalleled illumination. Bola can be suspended individually, in series, or as striking chandelier groupings for residential, contract, and hospitality settings alike.

Designer:
Pablo Pardo + Pablo Studio 2018



BOLA DISC PENDANT

DESCRIPTION

Bola Disc is a uniquely expressive LED Pendant system featuring a distinctive range of chromated disc reflectors that give the illusion of weightlessness by mirroring its surroundings. Available in 4 distinct sizes, Bola Disc pairs an elegant globe diffuser made of opaline glass with exquisitely polished stainless steel or aluminum discs in chrome, brass, rose gold lacquered white, and matte black to appease the most discerning tastes. Dependent on size, Bola provides up to 1625 lumens of warm ambient light and is fully dimmable, providing unparalleled illumination. Bola can be suspended individually, in series, or as striking chandelier groupings for residential, contract, and hospitality settings alike.

FIXTURE TYPE

Pendant

LIGHT SOURCE

Custom integrated LED, high-output chip on board

LIGHT CONTROL

Hard-wired, dimmable
Compatible with TRIAC/ELV and 0-10V dimmers

FEATURES

Fully Dimmable
Warm Dim

SPECIFICATIONS

Voltage: 120V-277V 50/60Hz
Power Consumption: 6W (12", 18"), 12W (22"), 20W (32")
Color Temperature: 2700K-1800K (Warm Dim)
Luminosity: 290Lm (12"), 290Lm (18"), 800Lm (22"), 1625Lm (32")
Luminaire Efficacy: 48Lm/W (12",18"), 66Lm/W (22"), 80 Lm/W (32")
Color Rendition Index: 95 CRI
50K hour lifespan
Cord Length: 8.9' (2.9m) (Field cuttable)

CERTIFICATIONS



PRODUCT CODES

Bola Disc 12 (Chrome):	BOLA 12 CRM
Bola Disc 12 (Brass):	BOLA 12 BRA
Bola Disc 12 (Rose Gold):	BOLA 12 RGD
Bola Disc 12 (Gunmetal):	BOLA 12 GUN
Bola Disc 12 (Gloss White/Chrome):	BOLA 12 WHT
Bola Disc 12 (Matte Black):	BOLA 12 BLK
Bola Disc 18 (Chrome):	BOLA 18 CRM
Bola Disc 18 (Brass):	BOLA 18 BRA
Bola Disc 18 (Rose Gold):	BOLA 18 RGD
Bola Disc 18 (Gunmetal):	BOLA 18 GUN
Bola Disc 18 (Gloss White/Chrome):	BOLA 18 WHT
Bola Disc 18 (Matte Black):	BOLA 18 BLK
Bola Disc 22 (Chrome):	BOLA 22 CRM
Bola Disc 22 (Brass):	BOLA 22 BRA
Bola Disc 22 (Rose Gold):	BOLA 22 RGD
Bola Disc 22 (Gunmetal):	BOLA 22 GUN
Bola Disc 22 (Gloss White/Chrome):	BOLA 22 WHT
Bola Disc 22 (Matte Black):	BOLA 22 BLK
Bola Disc 32 (Chrome):	BOLA 32 CRM
Bola Disc 32 (Brass):	BOLA 32 BRA
Bola Disc 32 (Rose Gold):	BOLA 32 RGD
Bola Disc 32 (Gunmetal):	BOLA 32 GUN
Bola Disc 32 (Gloss White/Chrome):	BOLA 32 WHT
Bola Disc 32 (Matte Black):	BOLA 32 BLK

PACKAGING WEIGHT AND DIMENSIONS

Bola Disc 12	4LBS	15" X 7"
(Steel Shade)	1.8KG	38cm X 18cm
Bola Disc 12	2.4LBS	15" X 7"
(White Aluminum Shade)	1.1KG	38cm X 18cm
Bola Disc 18	8.6LBS	20.75" X 8"
(Steel Shade)	3.9KG	53cm X 20cm
Bola Disc 18	6.75LBS	20.75" X 8"
(White Aluminum Shade)	3KG	53cm X 20cm
Bola Disc 22	12.25LBS	24" X 10"
(Steel Shade)	5.6KG	61cm X 25cm
Bola Disc 22	9LBS	24" X 10"
(White Aluminum Shade)	4.1KG	61cm X 25cm
Bola Disc 32	23.8LBS	34.5" X 10.5"
(Steel Shade)	10.8KG	87.6cm X 27cm
Bola Disc 32	17.5LBS	34.5" X 10.5"
(White Aluminum Shade)	7.9KG	87.6cm X 27cm

NOTES

3000K and 2700K CCT Models Available Upon Request.
Custom requests can be considered on volume orders.



FINISHES

BOLA DISC



CHROME



BRASS



ROSE GOLD



GUNMETAL



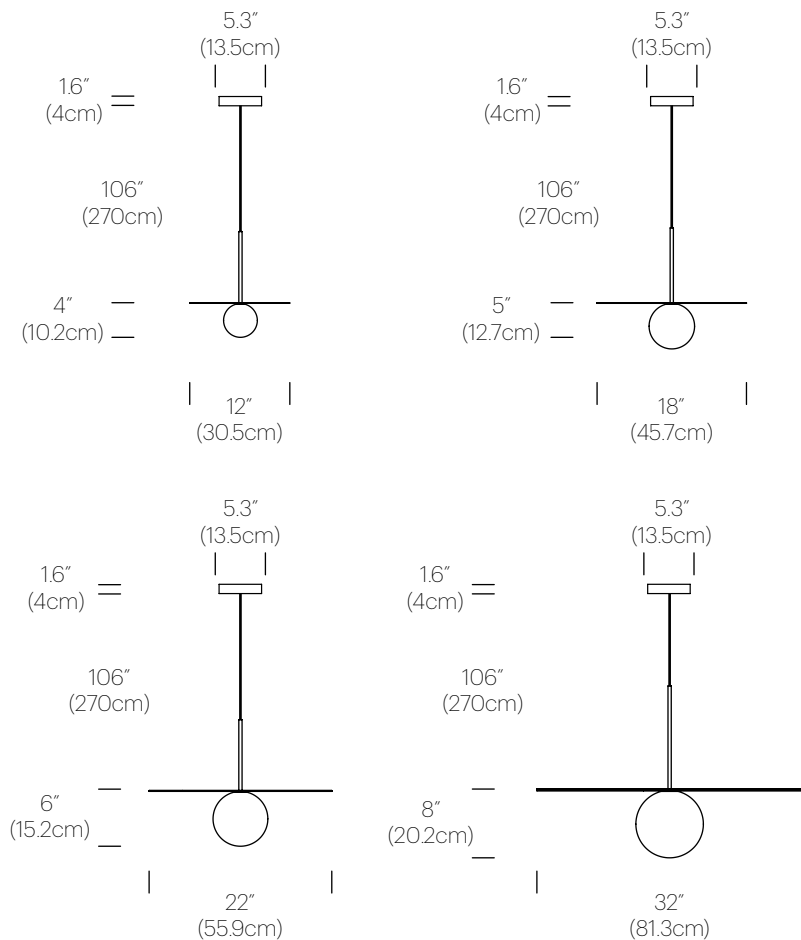
GLOSS WHITE/
CHROME



MATTE BLACK

DIMENSIONS

BOLA DISC 12, 18, 22, 32



BOLA DISC MULTI-LIGHT

DESCRIPTION

Bola's elegant reflective disc and globe design can be suspended in a variety of custom arrangements in both round and linear configurations. With Bola Disc Multi-Light, up to 11 lamps can be grouped together in a variety of mixed disc sizes to form stunning luminaire displays. Both size and shape of the grouping is controlled by lamp quantity and positioning relative to the Multi-Light canopy. Swag mounts are provided to extend the lights out into space along with an ample cord length of 8.9' (2.7m) to offer a wide array of unique solutions.

FIXTURE TYPE

Pendant

LIGHT SOURCE

Custom integrated LED, high-output chip on board

PRODUCT CODES

Multi-Light Canopy 9" (White):	BOLA CAN 9 WHT
Multi-Light Canopy 9" (Black):	BOLA CAN 9 BLK
Multi-Light Canopy 12" (White):	BOLA CAN 12 WHT
Multi-Light Canopy 12" (Black):	BOLA CAN 12 BLK

CERTIFICATIONS



PACKAGING WEIGHTS AND DIMENSIONS

Multi-Light Canopy 9"	4.3LBS	12" X 12" X 6"
	2KG	30.5cm X 30.5cm X 15cm
Multi-Light Canopy 12"	6.6LBS	12" X 12" X 6"
	3KG	30.5cm X 30.5cm X 15cm

NOTES

Custom requests can be considered on volume orders.

BOLA Multi-Light Canopy
Small (Ø9" OD) Up to 6



or

BOLA Multi-Light Canopy
Large (Ø12" OD) 7 to 11



FINISHES

CANOPY



WHITE



BLACK

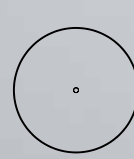


2, 3, 4, 5, 6... 11

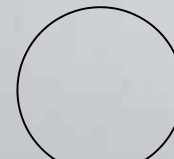
ROUND



MULTI-LIGHT CANOPY DIMENSIONS



9"
(22.8cm)



12"
(30.5cm)

LINEAR



BOLA DISC FLUSH

DESCRIPTION

A study in refined simplicity, Bola Flush offers a magical combination of mirror and globe refined down to its bare essentials. The objective with the Bola Flush is to provide both direct and reflected light from either ceiling or wall mounted vantage points. Bola Flush brings elegance and refinement with four sizes and five finishes in chrome, brass, rose gold, gunmetal, white, and matte black. An ideal fixture for adding diffused and reflected light in hallway corridors, nooks, dining settings, bedrooms, or living areas. Stunning groupings can also be created by mixing different sizes together to form unique custom light displays.

FIXTURE TYPE

Wall/Ceiling

LIGHT SOURCE

Custom integrated LED, high-output chip on board

LIGHT CONTROL

Hard-wired, dimmable

Compatible with TRIAC/ELV and 0-10V dimmers

FEATURES

Shade Options: 12"(30cm), 18"(46cm), 22"(55cm), 32"(81.2cm)

Warm Dim

SPECIFICATIONS

Voltage: 120V-277V 50/60Hz

Power Consumption: 6W (12", 18"), 12W (22"), 20W (32")

Color Temperature: 2700K-1800K (Warm Dim)

Luminosity: 290 Lumens (12"), 290 Lumens (18"), 800 Lumens (22"),

1625 Lumens (32")

Luminaire Efficacy: 48Lm/W (12",18"),66Lm/W (22"),80 Lm/W (32")

Color Rendition Index: 95 CRI

50K hour lifespan

CERTIFICATIONS



PRODUCT CODES

Bola Flush 12 (Chrome):	BOLA FSH 12 CRM
Bola Flush 12 (Brass):	BOLA FSH 12 BRA
Bola Flush 12 (Rose Gold):	BOLA FSH 12 RGD
Bola Flush 12 (Gunmetal):	BOLA FSH 12 GUN
Bola Flush 12 (Gloss White/Chrome):	BOLA FSH 12 WHT
Bola Flush 12 (Matte Black):	BOLA FSH 12 BLK
Bola Flush 18 (Chrome):	BOLA FSH 18 CRM
Bola Flush 18 (Brass):	BOLA FSH 18 BRA
Bola Flush 18 (Rose Gold):	BOLA FSH 18 RGD
Bola Flush 18 (Gunmetal):	BOLA FSH 18 GUN
Bola Flush 18 (Gloss White/Chrome):	BOLA FSH 18 WHT
Bola Flush 18 (Matte Black):	BOLA FSH 18 BLK
Bola Flush 22 (Chrome):	BOLA FSH 22 CRM
Bola Flush 22 (Brass):	BOLA FSH 22 BRA
Bola Flush 22 (Rose Gold):	BOLA FSH 22 RGD
Bola Flush 22 (Gunmetal):	BOLA FSH 22 GUN
Bola Flush 22 (Gloss White/Chrome):	BOLA FSH 22 WHT
Bola Flush 22 (Matte Black):	BOLA FSH 22 BLK
Bola Flush 32 (Chrome):	BOLA FSH 32 CRM
Bola Flush 32 (Brass):	BOLA FSH 32 BRA
Bola Flush 32 (Rose Gold):	BOLA FSH 32 RGD
Bola Flush 32 (Gunmetal):	BOLA FSH 32 GUN
Bola Flush 32 (Gloss White/Chrome):	BOLA FSH 32 WHT
Bola Flush 32 (Matte Black):	BOLA FSH 32 BLK
Bola Flush Standoff	BOLA FSH STAND

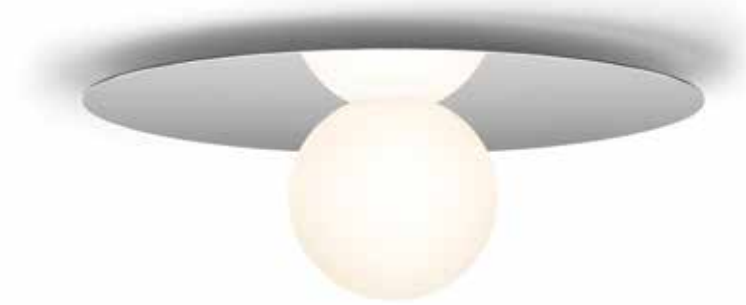
PACKAGING WEIGHT AND DIMENSIONS

Bola Disc 12	4LBS	15" X 15" X 7"
(Steel Shade)	1.8KG	38cm X 38cm X 18cm
Bola Disc 12	2.4LBS	15" X 15" X 7"
(White Aluminum Shade)	1.1KG	38cm X 38cm X 18cm
Bola Disc 18	8.6LBS	20.75" X 20.75" X 8"
(Steel Shade)	3.9KG	53cm X 53cm X 20cm
Bola Disc 18	6.75LBS	20.75" X 20.75" X 8"
(White Aluminum Shade)	3KG	53cm X 53cm X 20cm
Bola Disc 22	12.25LBS	24" X 24" X 10"
(Steel Shade)	5.6KG	61cm X 61cm X 25cm
Bola Disc 22	9LBS	24" X 24" X 10"
(White Aluminum Shade)	4.1KG	61cm X 61cm X 25cm
Bola Disc 32	23.8LBS	34.5" X 34.5" X 10.5"
(Steel Shade)	10.8KG	87.6cm X 87.6cm X 27cm
Bola Disc 32	17.5LBS	34.5" X 34.5" X 10.5"
(White Aluminum Shade)	7.9KG	87.6cm X 87.6cm X 27cm

NOTES

3000K and 2700K CCT Models Available Upon Request.

Custom requests can be considered on volume orders.



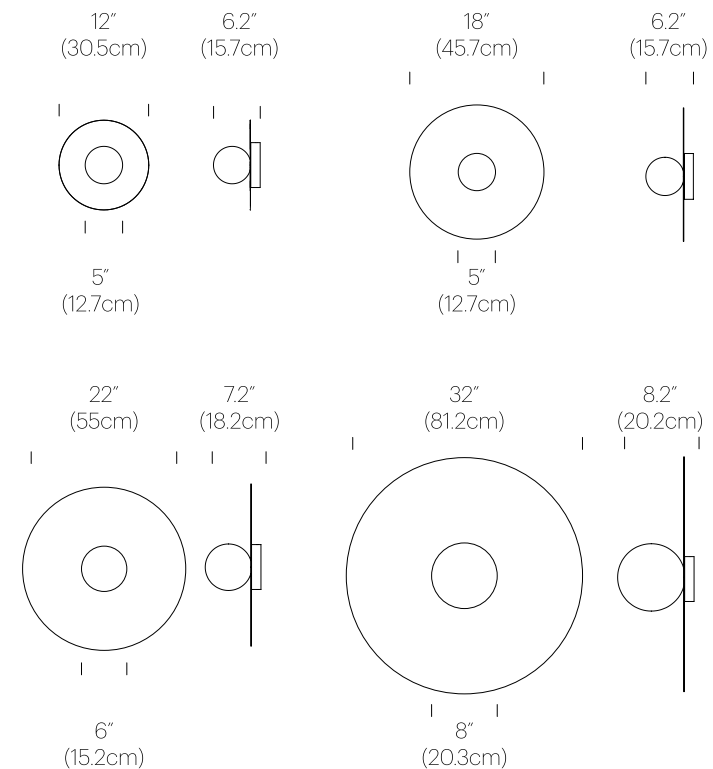
FINISHES

BOLA DISC



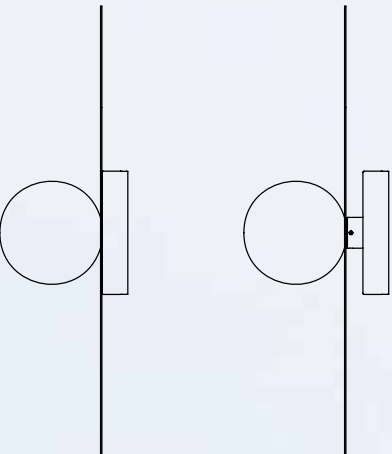
DIMENSIONS

BOLA DISC FLUSH 12, 18, 22, 32



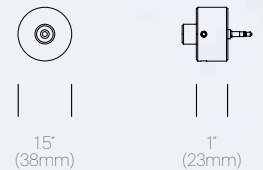
BOLA DISC FLUSH GROUPING

Stunning compositions can be created by mixing or matching different sizes and finishes together to form unique customized light clusters.



1" add-on standoff allows for overlapping disc groupings

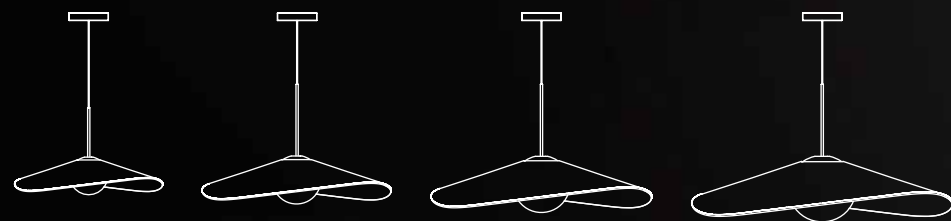
PRODUCT CODE
BOLA FSH STAND



BOLA FELT

Bola Felt's charmingly expressive felted shade hat features a soft and pliable conical structure with 2 colored layers of undulating wool inside and out. It is available in 4 distinct sizes: 24" (61 cm), 32" (81 cm), 42" (107cm), and 52" (132cm). Its shade rests elegantly over its opaline glass globe diffuser allowing the user to tilt the shade to multiple angles to focus light while taking on various relaxed personalities in the process. Bola Felt casts unparalleled illumination boasting up to 1625 lumens of warm and dimmable LED light that runs cool to the touch. Bola can be suspended individually, or in spectacular groupings to become the centerpieces of any space. Bola's thick felt shade also offers excellent acoustic dampening benefits making them perfectly suited for use over dining applications as well as social gathering areas where sound control is beneficial. Ideal for residential, lounge and hospitality spaces alike.

Designer:
Pablo Pardo + Pablo Studio 2018



BOLA FELT

DESCRIPTION

Bola Felt is a uniquely expressive pendant light that features an undulating 100% wool felt shade that's adjustable to focus light to any desired direction. Bola Felt's acoustic properties provide excellent noise dampening characteristics that are perfectly suited for dining areas or quiet zones in the workplace. The shade is available in 4 distinct sizes: 24" (61cm), 32" (81cm), 42" (106cm), and 52" (132cm) with mating opaline globe diffuser sizes: 6" (15cm), 8" (20cm), 10" (25cm), and 12" (30cm) diameters. Bola Felt casts up to 1625 lumens of warm ambient light and is fully dimmable to set the ambiance.

FIXTURE TYPE

Pendant

LIGHT SOURCE

Custom integrated LED, high-output chip on board

LIGHT CONTROL

Hard-wired, dimmable
Compatible with TRIAC/ELV and 0-10V dimmers

FEATURES

Adjustable Shade
Acoustic Dampening
Fully Dimmable
Warm Dim

SPECIFICATIONS

Voltage: 120V-277V 50/60Hz
Power Consumption: 12W (24"), 20W (32"/42"/52")
Color Temperature: 2700K-1800K (Warm Dim)
Luminosity: 800 Lumens (24"), 1625 Lumens (32",42",52")
Luminaire efficacy: 66Lm/W (24"), 80 Lm/W (32",42",52")
Color Rendition Index: 95 CRI
50K hour lifespan
Cable Length: 8.9' (2.7m) (Field cuttable)

CERTIFICATIONS



PRODUCT CODES

Bola Felt 24:	BOLA 24 FELT
Bola Felt 32:	BOLA 32 FELT
Bola Felt 42:	BOLA 42 FELT
Bola Felt 52:	BOLA 52 FELT

PACKAGING WEIGHT AND DIMENSIONS

Bola Felt 24	8.75LBS 4KG	25" X 25" X 10" 64cm X 64cm X 25cm
Bola Felt 32	16.5LBS 7.5KG	35" X 35" X 10.5" 89cm X 89cm X 26.7cm
Bola Felt 42	21LBS 9KG	40" X 48" X 36" 101cm X 122cm X 91cm
Bola Felt 52	28.5LBS 13KG	40" X 48" X 36" 101cm X 122cm X 91cm

NOTES

3000K and 2700K CCT Models Available Upon Request.
Custom requests can be considered on volume orders.



FINISHES

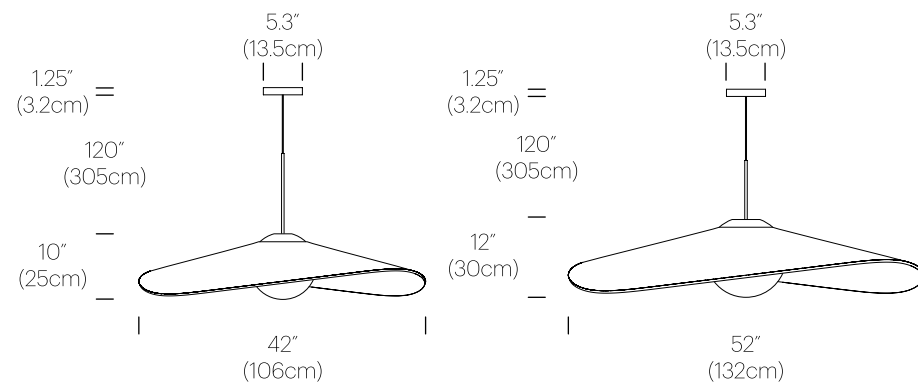
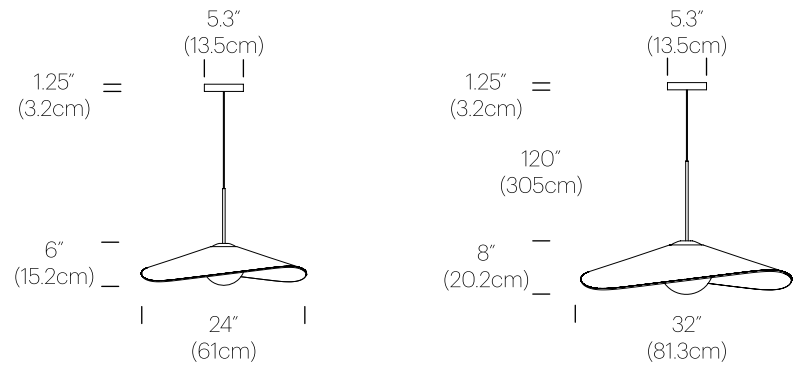
BOLA FELT



PEBBLE/
GREY

DIMENSIONS

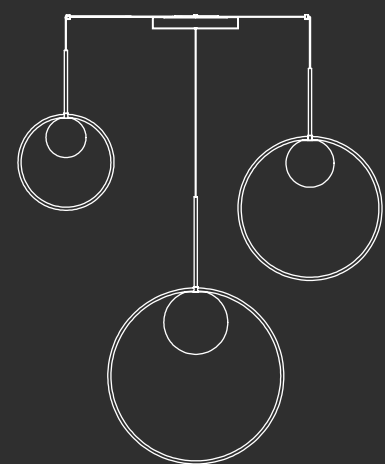
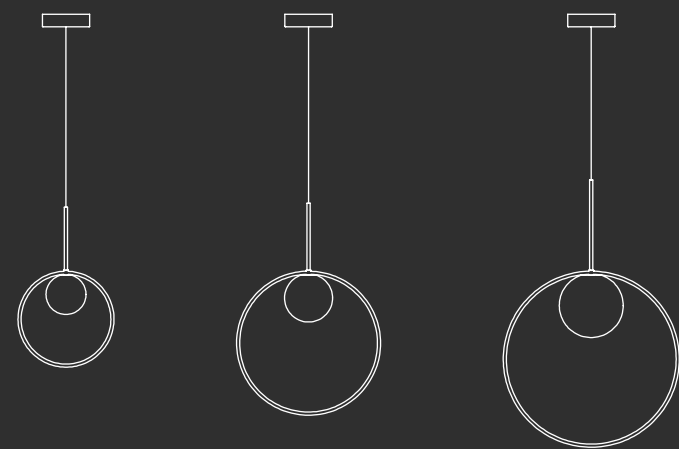
BOLA FELT 24, 32, 42, 52



BOLA HALO

Taking its inspiration from pendant jewelry, Bola Halo is a uniquely expressive pendant light featuring a chromated ring that balances delicately over its elegant opal glass shade while allowing its surroundings to shine through. Available in 3 distinct sizes and 3 exquisitely polished stainless steel rings in chrome, brass, and rose gold. Bola Halo's ring is repositionable for orienting to any desired direction. Depending on size, Bola Halo provides up to 1625 lumens of warm ambient light and is fully dimmable, providing unparalleled illumination. Bola can be suspended independently or as striking chandelier groupings to set the mood residential, contract, and hospitality settings alike.

Designer:
Pablo Pardo + Pablo Studio 2018



BOLA HALO PENDANT

DESCRIPTION

Taking its inspiration from pendant jewelry, Bola Halo is a uniquely expressive pendant light featuring a chromated ring that balances delicately over its elegant opal glass shade while allowing its surroundings to shine through. Available in 3 distinct sizes and 3 exquisitely polished stainless steel rings in chrome, brass, and rose gold. Bola Halo's ring is repositionable for orienting to any desired direction. Depending on size, Bola Halo provides up to 1625 lumens of warm ambient light and is fully dimmable, providing unparalleled illumination. Bola can be suspended independently or as striking chandelier groupings to set the mood residential, contract, and hospitality settings alike.

FIXTURE TYPE

Pendant

LIGHT SOURCE

Custom integrated LED, high-output chip on board

LIGHT CONTROL

Hard-wired, dimmable
Compatible with TRIAC/ELV and 0-10V dimmers

FEATURES

Fully dimmable
Warm Dim

SPECIFICATIONS

Voltage: 120V-277V 50/60Hz
Power Consumption: 6W (12"), 12W (18"), 20W (22")
Color Temperature: 2700K-1800K (Warm Dim)
Luminosity: 290 Lumens (12"), 800 Lumens (18"), 1625 Lumens (22")
Luminaire Efficacy: 48 Lm/W (12"), 66 Lm/W (18"), 80 Lm/W (22")
Color Rendition Index: 95 CRI
50K hour lifespan
Cord Length: 8.9' (2.7m) (Field cuttable)

CERTIFICATIONS



PRODUCT CODES

Bola Halo 12 (Chrome):	BOLA HALO 12 CRM
Bola Halo 12 (Brass):	BOLA HALO 12 BRA
Bola Halo 12 (Rose Gold):	BOLA HALO 12 RGD
Bola Halo 18 (Chrome):	BOLA HALO 18 CRM
Bola Halo 18 (Brass):	BOLA HALO 18 BRA
Bola Halo 18 (Rose Gold):	BOLA HALO 18 RGD
Bola Halo 22 (Chrome):	BOLA HALO 22 CRM
Bola Halo 22 (Brass):	BOLA HALO 22 BRA
Bola Halo 22 (Rose Gold):	BOLA HALO 22 RGD

PACKAGING WEIGHT AND DIMENSIONS

Bola 12 Halo	4LBS	13.25" X 13" X 7.25"
	1.8KG	34cm X 33cm X 18cm
Bola 18 Halo	5.7LBS	18" X 18" X 8.5"
	2.6KG	46cm X 46cm X 22cm
Bola 22 Halo	8.2LBS	22" X 22" X 10.5"
	3.7KG	56cm X 56cm X 27cm

NOTES

3000K and 2700K CCT Models Available Upon Request.
Custom requests can be considered on volume orders.



FINISHES

BOLA HALO



BRASS



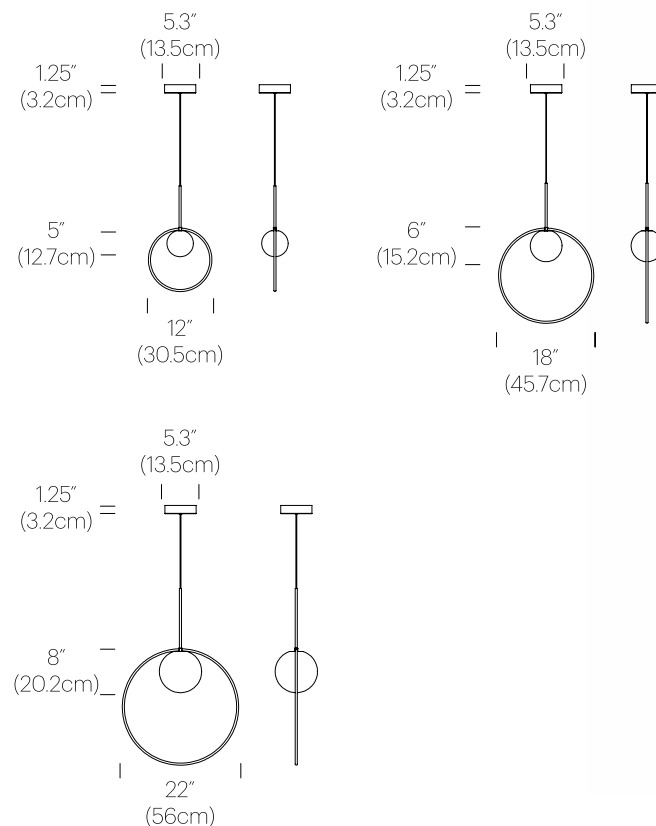
CHROME



ROSE GOLD

DIMENSIONS

BOLA HALO 12, 18, 22



BOLA HALO MULTI-LIGHT

DESCRIPTION

Bola Halo's elegant ring and globe design can be suspended in a variety of custom arrangements in both round and linear configurations. With Bola Disc Multi-Light, up to 11 lamps can be grouped together in a variety of mixed disc sizes to form stunning luminaire displays. Both size and shape of the grouping is controlled by lamp quantity and positioning relative to the Multi-Light canopy. Swag mounts are provided to extend the lights out into space along with an ample cord length of 8.9' (2.7m) to offer a wide array of unique solutions.

FIXTURE TYPE

Pendant

LIGHT SOURCE

Custom integrated LED, high-output chip on board

CERTIFICATIONS



PRODUCT CODES

Multi-Light Canopy 9" (White):	BOLA CAN 9 WHT
Multi-Light Canopy 9" (Black):	BOLA CAN 9 BLK
Multi-Light Canopy 12" (White):	BOLA CAN 12 WHT
Multi-Light Canopy 12" (Black):	BOLA CAN 12 BLK

PACKAGING WEIGHT AND DIMENSIONS

Multi-Light	2.6LBS	9.25" X 9.25" X 2.25"
Canopy Small	1.2KG	23.5cm X 23.5cm X 5.7cm
Multi-Light	5.7LBS	12.25" X 12.25" X 2.25"
Canopy Large	2.6KG	31cm X 31cm X 5.7cm

NOTES

Custom requests can be considered on volume orders

BOLA HALO Multi-Light Canopy
Small (Ø9" OD) Up to 6



or



BOLA HALO Multi-Light Canopy
Large (Ø12" OD) 7 to 11



2, 3, 4, 5, 6... 11

FINISHES

CANOPY



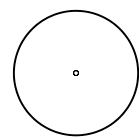
WHITE



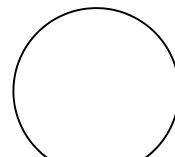
BLACK

MULTI-LIGHT CANOPY DIMENSIONS

MULTI-LIGHT CANOPY SMALL, LARGE



9"
(22.8cm)



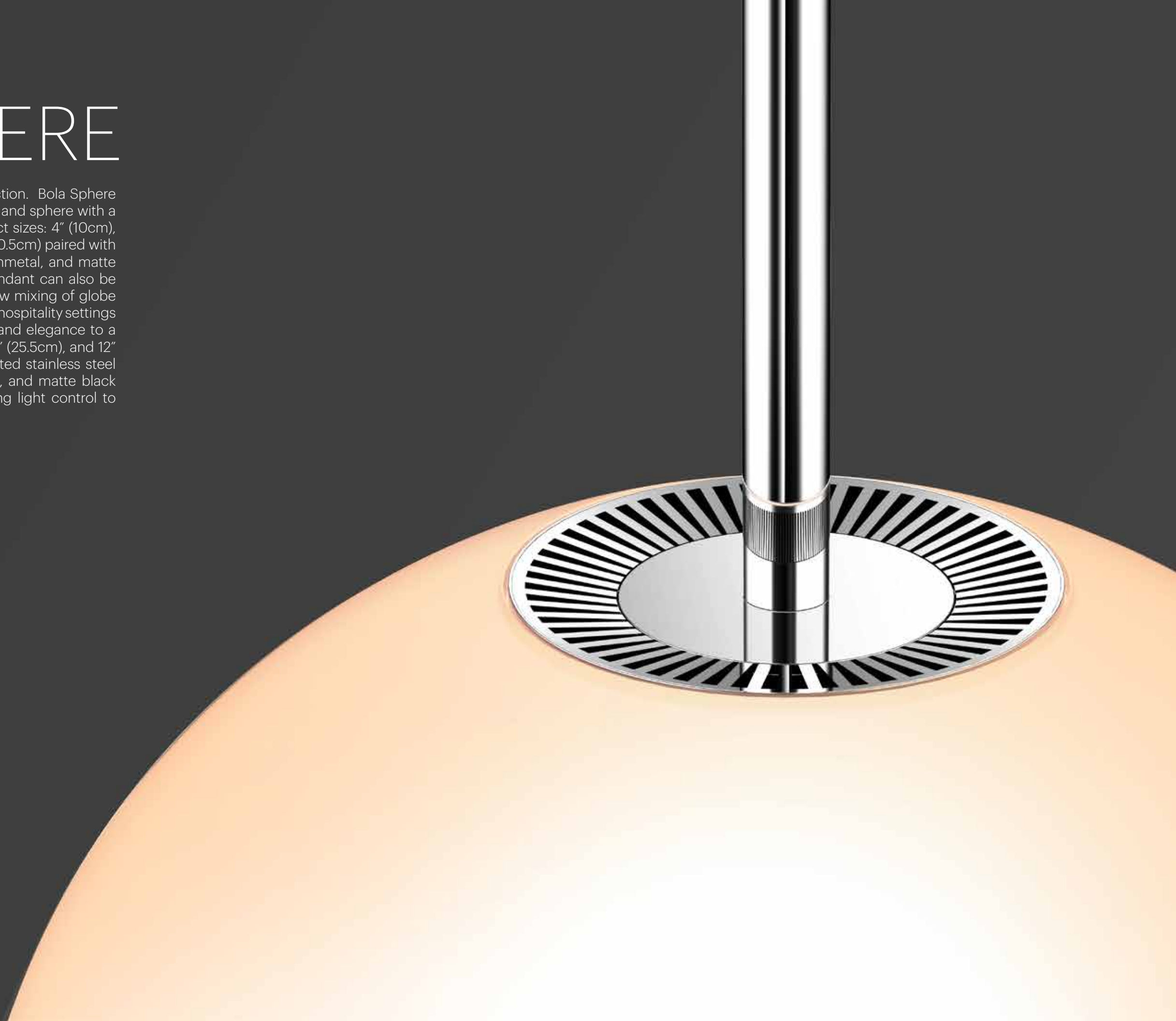
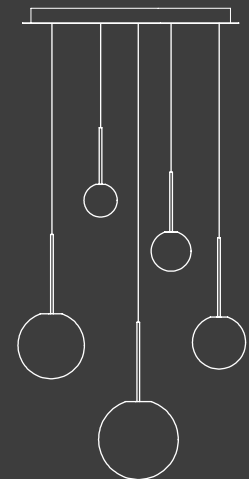
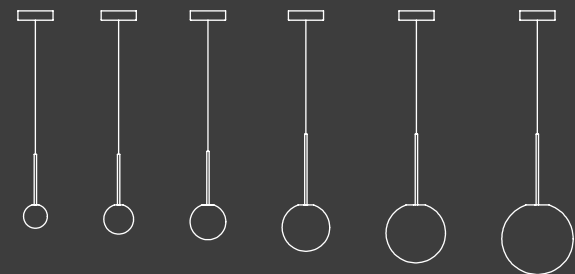
12"
(30.5cm)



BOLA SPHERE

Bola Sphere is the basic foundation of the Bola Collection. Bola Sphere Pendant features an elemental interplay between post and sphere with a seductive opal blown glass shade available in 6 distinct sizes: 4" (10cm), 5" (13cm), 6" (15cm), 8" (20cm), 10" (25.5cm), and 12" (30.5cm) paired with a polished steel post in chrome, brass, rose gold, gunmetal, and matte black finishes with mating canopies. Bola Sphere Pendant can also be suspended in exquisite Chandelier groupings that allow mixing of globe sizes for stunning displays in any residential, contract or hospitality settings alike. The Bola Sphere Table brings equal ambiance and elegance to a table surface combining 3 Globe sizes: 8" (20cm), 10" (25.5cm), and 12" (30.5cm) diameters paired with proportioned chromated stainless steel disc reflectors in chrome, brass, rose gold, gunmetal, and matte black finishes. Bola Sphere Table offers full range dimming light control to create the perfect setting for bedside or living areas.

Designer:
Pablo Pardo + Pablo Studio 2019



BOLA SPHERE

DESCRIPTION

The Bola Sphere pendant is the basic foundation of the Bola Collection, featuring an elemental interplay between post and sphere. Its seductive opal blown glass shade is available in 6 distinct sizes (4" (10cm), 5" (13cm), 6" (15cm), 8" (20cm), 10" (25.5cm), and 12" (30.5cm) paired with a chromated stainless steel post in chrome, brass, rose gold, gunmetal, and matte black with mating canopies. Bola Sphere is also available in exquisite chandelier groupings that allow mixing of globe sizes for stunning displays in any residential, contract or hospitality settings alike.

FIXTURE TYPE

Pendant

LIGHT SOURCE

Custom integrated LED, high-output chip on board

LIGHT CONTROL

Hard-wired, dimmable - Compatible with TRIAC/ELV and 0-10V dimmers

FEATURES

Fully Dimmable
Warm Dim

SPECIFICATIONS

Voltage: 120V-277V 50/60Hz
Power Consumption: 6W (4", 5"), 12W (6"), 20W (8", 10", 12")
Color Temperature: 2700K-1800K (Warm Dim)
Luminosity: 290 Lumens (4", 5"), 800 Lumens (6"), 1625 Lumens (8", 10", 12")
Luminaire Efficacy: 48 Lm/W (4",5"), 66 Lm/W (6"), 80 Lm/W (8",10",12")
Color Rendition Index: 95 CRI
50K hour lifespan
Cord Length: 8.9' (2.7m) (Field cuttable)

CERTIFICATIONS



PRODUCT CODES

Bola Sphere 4 (Chrome):	BOLA SPH 4 CRM
Bola Sphere 5 (Chrome):	BOLA SPH 5 CRM
Bola Sphere 6 (Chrome):	BOLA SPH 6 CRM
Bola Sphere 8 (Chrome):	BOLA SPH 8 CRM
Bola Sphere 10 (Chrome):	BOLA SPH 10 CRM
Bola Sphere 12 (Chrome):	BOLA SPH 12 CRM
Bola Sphere 4 (Brass):	BOLA SPH 4 BRA
Bola Sphere 5 (Brass):	BOLA SPH 5 BRA
Bola Sphere 6 (Brass):	BOLA SPH 6 BRA
Bola Sphere 8 (Brass):	BOLA SPH 8 BRA
Bola Sphere 10 (Brass):	BOLA SPH 10 BRA
Bola Sphere 12 (Brass):	BOLA SPH 12 BRA
Bola Sphere 4 (Rose Gold):	BOLA SPH 4 RGD
Bola Sphere 5 (Rose Gold):	BOLA SPH 5 RGD
Bola Sphere 6 (Rose Gold):	BOLA SPH 6 RGD
Bola Sphere 8 (Rose Gold):	BOLA SPH 8 RGD
Bola Sphere 10 (Rose Gold):	BOLA SPH 10 RGD
Bola Sphere 12 (Rose Gold):	BOLA SPH 12 RGD
Bola Sphere 4 (Gunmetal):	BOLA SPH 4 GUN
Bola Sphere 5 (Gunmetal):	BOLA SPH 5 GUN
Bola Sphere 6 (Gunmetal):	BOLA SPH 6 GUN
Bola Sphere 8 (Gunmetal):	BOLA SPH 8 GUN
Bola Sphere 10 (Gunmetal):	BOLA SPH 10 GUN
Bola Sphere 12 (Gunmetal):	BOLA SPH 12 GUN
Bola Sphere 4 (Matte Black):	BOLA SPH 4 BLK
Bola Sphere 5 (Matte Black):	BOLA SPH 5 BLK
Bola Sphere 6 (Matte Black):	BOLA SPH 6 BLK
Bola Sphere 8 (Matte Black):	BOLA SPH 8 BLK
Bola Sphere 10 (Matte Black):	BOLA SPH 10 BLK
Bola Sphere 12 (Matte Black):	BOLA SPH 12 BLK

PACKAGING WEIGHT AND DIMENSIONS

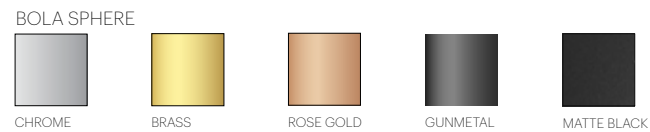
Bola Sphere 4	2.6LBS	10" X 9" X 8.5"
	1.2KG	25cm X 23cm X 22cm
Bola Sphere 5	3LBS	10" X 9" X 8.5"
	1.4KG	25cm X 23cm X 22cm
Bola Sphere 6	3.5LBS	11.5" X 9" X 10.5"
	1.6KG	29cm X 23cm X 27cm
Bola Sphere 8	5LBS	12" X 12" X 12.25"
	2.28KG	30cm X 30cm X 31cm
Bola Sphere 10	5.5LBS	14" X 14" X 16.5"
	2.5KG	36cm X 36cm X 42cm
Bola Sphere 12	7.2LBS	18" X 18" X 18"
	3.3KG	46cm X 46cm X 46cm

NOTES

3000K and 2700K CCT Models Available Upon Request.
Custom requests can be considered on volume orders

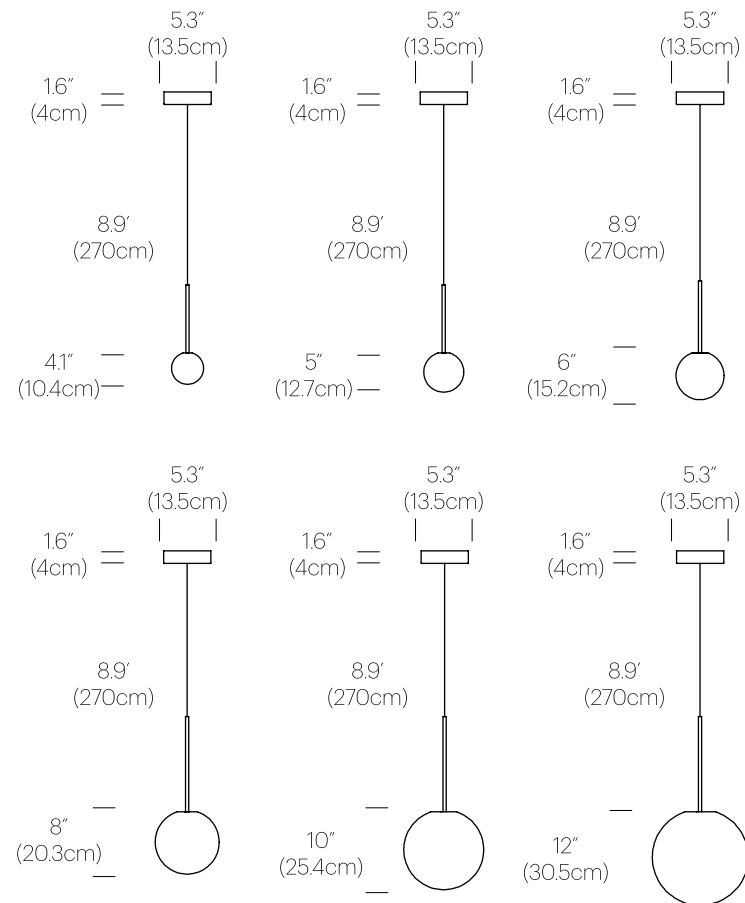


FINISHES



DIMENSIONS

BOLA SPHERE 4, 5, 6, 8, 10, 12



BOLA SPHERE CHANDELIER

DESCRIPTION

The Bola Sphere pendant chandelier is the basic foundation of the Bola Collection, featuring an elemental interplay between post and sphere. Its seductive opal blown glass shade is available in 6 distinct sizes (4" (10cm), 5" (13cm), 6" (15cm), 8" (20cm), 10" (25.5cm), and 12" (30.5cm) paired with a chromated stainless steel post in chrome, brass, rose gold, gunmetal, and matte black. Two sizes of canopy are available to accommodate Bola Sphere is also available in exquisite Chandelier groupings that allow mixing of globe sizes for stunning displays in any residential, contract or hospitality setting alike.

FIXTURE TYPE

Pendant

LIGHT SOURCE

Custom integrated LED, high-output chip on board

LIGHT CONTROL

Hard-wired, dimmable
Compatible with TRIAC/ELV and 0-10V dimmers

FEATURES

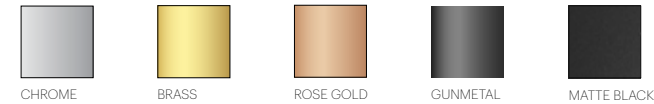
Fully Dimmable
Warm Dim

CERTIFICATIONS



FINISHES

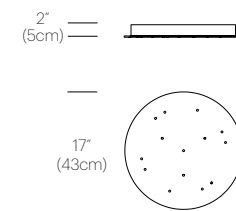
BOLA SPHERE



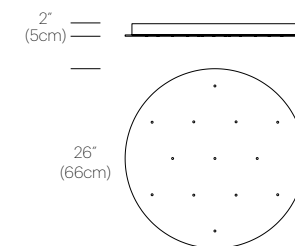
DIMENSIONS

CHANDELIER CANOPY 17", 26"

CHANDELIER CANOPY 17"



CHANDELIER CANOPY 26"



PRODUCT CODES

17" Chandelier Canopy:	CHND CAN 17
26" Chandelier Canopy:	CHND CAN 26

PACKAGING WEIGHTS AND DIMENSIONS

Chandelier canopy 17":	15LBS	22" X 22" X 6"
	6.8KGS	56cm X 56cm X 15cm
Chandelier canopy 26":	30LBS	32" X 32" X 6"
	13.6KGS	81cm X 81cm X 15cm

NOTES

Custom requests can be considered on volume orders



BOLA SPHERE TABLE

DESCRIPTION

The Bola Sphere Table series fuses an elegant blown opal glass sphere with a mirrored disc base in polished stainless steel to give the illusion of a floating orb in space. Taking its cues from the Bola Family Collection, the new table version brings this magical combination to a table surface, allowing for full range dimming and is available in 3 distinct globe sizes: 8" (20cm), 10" (25.5cm), and 12" (30.5cm). Its mating base is available in 3 corresponding diameters: 9.5" (24cm), 12" (30.5cm), and 14" (36cm) in 4 exquisite finishes: chrome, brass, rose gold and gunmetal. Each finish provides a distinct personality for any residential, contract, or hospitality environment.

FIXTURE TYPE

Table

LIGHT SOURCE

(1) A19 LED Bulb (included)

LIGHT CONTROL

In-line dimmer

FEATURES

Fully dimmable

SPECIFICATIONS

Voltage: 120V or 240V, 50/60Hz

Power Consumption:

LED Warm Dim Bulb: 9.5W (60W equivalent)

Color Temperature: 2700 - 2200K

Luminosity: 800 Lumens

Luminaire Efficacy: 84 Lumens/Watt MAX

Cord Length: 6' (1.8m)



FINISHES

BOLA SPHERE



CHROME



BRASS



ROSE GOLD



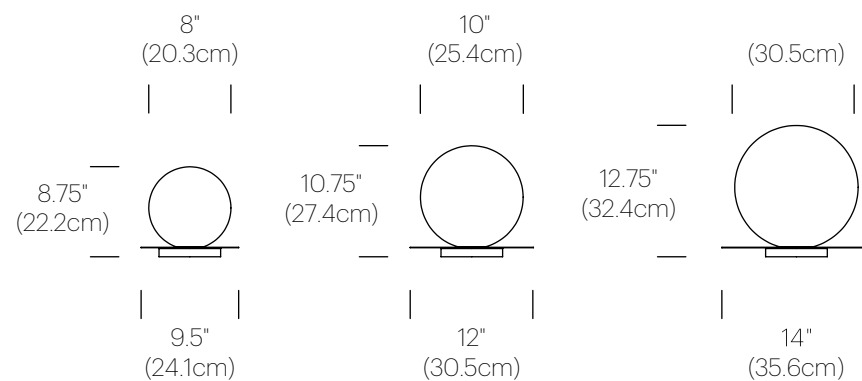
GUNMETAL



MATTE BLACK

DIMENSIONS

BOLA SPHERE TABLE 8, 10, 12



CERTIFICATION



PRODUCT CODES

Bola Sphere Table 8 (Chrome):	BOLA SPH TBL 8 CRM
Bola Sphere Table 8 (Brass):	BOLA SPH TBL 8 BRA
Bola Sphere Table 8 (Rose Gold):	BOLA SPH TBL 8 RGD
Bola Sphere Table 8 (Gunmetal):	BOLA SPH TBL 8 GUN
Bola Sphere Table 8 (Matte black):	BOLA SPH TBL 8 BLK
Bola Sphere Table 10 (Chrome):	BOLA SPH TBL 10 CRM
Bola Sphere Table 10 (Brass):	BOLA SPH TBL 10 BRA
Bola Sphere Table 10 (Rose Gold):	BOLA SPH TBL 10 RGD
Bola Sphere Table 10 (Gunmetal):	BOLA SPH TBL 10 GUN
Bola Sphere Table 10 (Matte black):	BOLA SPH TBL 10 BLK
Bola Sphere Table 12 (Chrome):	BOLA SPH TBL 12 CRM
Bola Sphere Table 12 (Brass):	BOLA SPH TBL 12 BRA
Bola Sphere Table 12 (Rose Gold):	BOLA SPH TBL 12 RGD
Bola Sphere Table 12 (Gunmetal):	BOLA SPH TBL 12 GUN
Bola Sphere Table 12 (Matte black):	BOLA SPH TBL 12 BLK

PACKAGING WEIGHTS AND DIMENSIONS

BOLA SPH 8:	4LBS	10" X 10" X 14.5"
	1.8KGS	25cm X 25cm X 37cm
BOLA SPH 10:	4.2LBS	13" X 13" X 18"
	1.9KGS	33cm X 33cm X 46cm
BOLA SPH 12:	5.2LBS	16" X 16" X 21"
	2.4KGS	40cm X 40cm X 53cm

NOTES

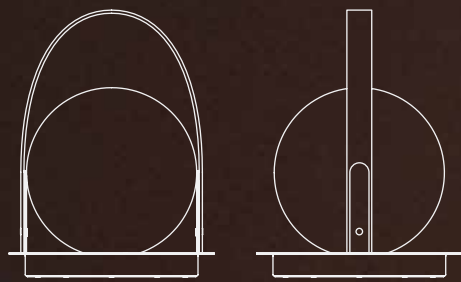
Custom requests can be considered on volume orders



BOLA LANTERN

Based on the Bola Sphere Table 8, the Bola Lantern adds a premium leather handle and a rechargeable battery that enables a level of portability new to the Bola Family. Bola Lantern's size and stature give a sense of presence that is unfound with portables, while maintaining the lightness associated with the floating orbs that are Bola. Discs are available in chrome, brass, gunmetal, and matte black. The leather handles are available in a natural vegetable tanned leather and black. Battery life ranges from 10 - 400 hours depending on light intensity. Bola Lantern produces 280 lumens of warm ambient light.

Designer:
Pablo Pardo + Pablo Studio 2021



BOLA LANTERN

DESCRIPTION

Based on the Bola Sphere Table 8, the Bola Lantern adds a premium leather handle and a rechargeable battery that enables a level of portability new to the Bola Family. Bola Lantern's size and stature gives a sense of presence that's unfound with portables, while maintaining the lightness associated with the floating orbs that are Bola. Discs are available in brass, chrome, gunmetal, and matte black. The leather handles are available in natural vegetable tanned leather and black.

FIXTURE TYPE

Portable

LIGHT SOURCE

LED High-output Chip-on-board

LIGHT CONTROL

Mechanical push button
Full-range dimming (100-10%)
4-stage dimming (100/40/20/3%)

FEATURES

Portable and rechargeable
10-400hr Battery life
USB Charging cable included
Warm Dim
Surface mount

SPECIFICATIONS

Voltage: 120V or 240V, 50/60Hz
Power Consumption: 3.2W
Color Temperature: 2700-1800K (warm dim)
Luminosity: 280 Lumens
Luminaire Efficacy: 87.5 Lumens/Watt MAX
Cord Length: 6' (1.8m)
IP Rating: IP20
6 hr Charge time (using 10W power plug, not included)

CERTIFICATION



FINISHES

DISC



BRASS



CHROME



GUNMETAL



MATTE BLACK

LEATHER HANDLE



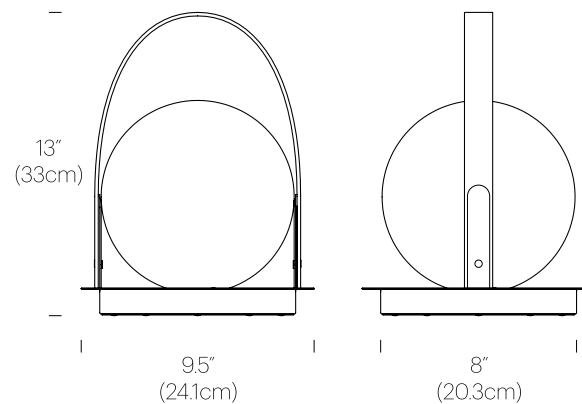
VEG TAN



BLACK

DIMENSIONS

BOLA LANTERN



PRODUCT CODES

Bola Lantern (Black/Gunmetal):	BOLA LTN GUN BLK
Bola Lantern (Black/Matte black):	BOLA LTN BLK BLK
Bola Lantern (Black/Brass):	BOLA LTN BRA BLK
Bola Lantern (Tan/Brass):	BOLA LTN BRA TAN
Bola Lantern (Tan/Matte black):	BOLA LTN BLK TAN
Bola Lantern (Tan/Chrome):	BOLA LTN CRM TAN

PACKAGING WEIGHTS AND DIMENSIONS

Bola Lantern:	4LBS	10" X 10" X 14.5"
	1.8KGS	25cm X 25cm X 37cm

NOTES

Custom requests can be considered on volume orders



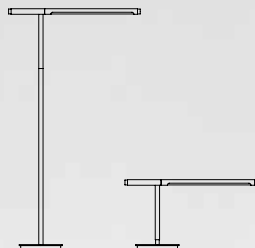


BRAZO

Fusing breakthrough LED technology with a uniquely tactile and calibrated light control experience, Brazo is an intelligent, precise and effortlessly adjustable task lamp. A user can tune it to any beam spread, brightness and direction, controlling the volume and focus of light. The aluminum shade on the lamp's arm enables much of this adjustability, enabling the user to fluidly dial it around the light source to guide the beam in any direction. Although suitable for any environment, the versatility and 360° adjustability offered in its minimal frame makes Brazo ideal for use in work environments. Brazo transforms from table to floor model with a simple extension post and ships flat-packed for easy transport.

Designer:
Pablo Pardo 2007/2008

Awards:
2008 IDEA Gold Award
2007 Best of Neocon Gold



BRAZO TABLE

DESCRIPTION

Brazo's precision machined aluminum construction allows for optimal task lighting control with 360° adjustability and 90° tilt. Brazo features a luminous and energy-efficient LED light source which can be dialed to any desired beam-spread and brightness depending on the task.

FIXTURE TYPE

Table

LIGHT SOURCE

(108x) High output LED array

LIGHT CONTROL

Full range dim (rotary dimmer)

FEATURES

- 360° arm rotation
- 90° arm tilt
- Calibrated light focus control
- Height adjustable
- Advanced LED array eliminates multiple shadows
- Ships flat-packed
- 97% recyclable

SPECIFICATIONS

- Voltage: 120-240V 50-60Hz
- Power Consumption: 9W
- Color temperature: 3000K
- Luminosity: 450 Lumens
- Luminaire efficacy: 50 Lumens/Watt
- Color Rendition Index: 85 CRI
- Title 20 compliant
- 50K hour lifespan
- Cable length: 8' (244cm)
- Global multi-plug adapter available

CERTIFICATIONS



PRODUCT CODES

Brazo Table (Silver):	BRAZ TBL SLV
Brazo Table (Black):	BRAZ TBL BLK
Brazo Table (White):	BRAZ TBL WHT

PACKAGING WEIGHT AND DIMENSIONS

BRAZO TABLE:	14.2LBS	39" X 11" X 5"
	6.4KGS	99cm X 28cm X 13cm

NOTES

Custom requests can be considered on volume orders

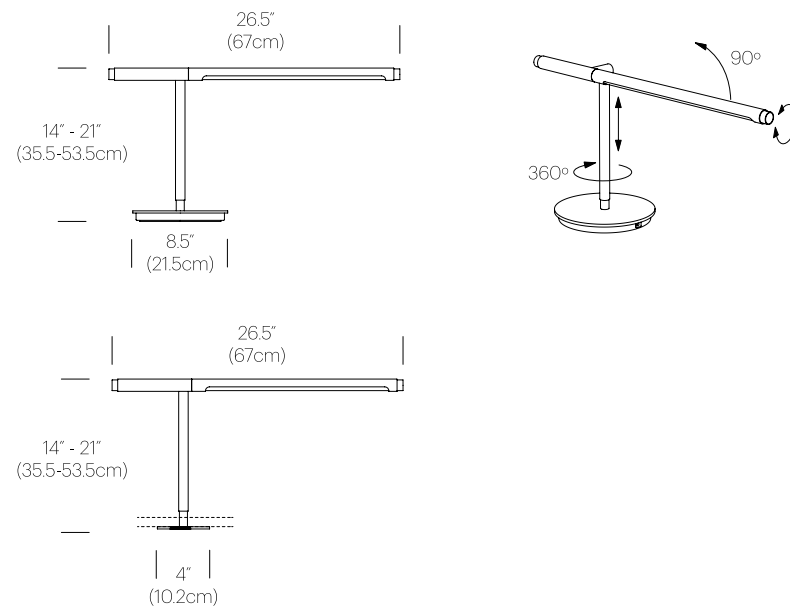


FINISHES



DIMENSIONS

BRAZO TABLE



SURFACE MOUNT AVAILABLE FOR 118" (3cm), 2" (5cm) AND 3" (7.5cm) WORKSURFACES



BRAZO FLOOR

DESCRIPTION

Brazo's precision machined aluminum construction allows for optimal task lighting control with 360° adjustability and 90° tilt. Brazo features a luminous and energy-efficient LED light source which can be dialed to any desired beam-spread and brightness depending on the task.

FIXTURE TYPE

Floor

LIGHT SOURCE

(108x) High output LED array

LIGHT CONTROL

Full range dim (rotary dimmer)

FEATURES

- 360° arm rotation
- 90° arm tilt
- Calibrated light focus control
- Height adjustable
- Advanced LED array eliminates multiple shadows
- Ships flat-packed
- 97% recyclable

SPECIFICATIONS

- Voltage: 120-240V 50-60Hz
- Power Consumption: 9W
- Color temperature: 3000K
- Luminosity: 450 Lumens
- Luminaire efficacy: 50 Lumens/Watt
- Color Rendition Index: 85 CRI
- Title 20 compliant
- 50K hour lifespan
- Cable length: 8' (244cm)
- Global multi-plug adapter available

CERTIFICATIONS



PRODUCT CODES

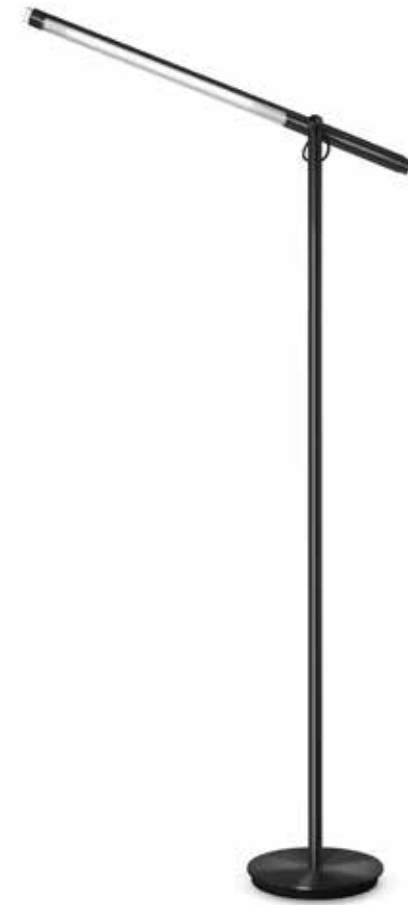
Brazo Floor (Silver):	BRAZ FLR SLV
Brazo Floor (Black):	BRAZ FLR BLK
Brazo Floor (White):	BRAZ FLR WHT

PACKAGING WEIGHT AND DIMENSIONS

BRAZO FLOOR:	15.55LBS	39" X 11" X 5"
	7.1KGS	99cm X 28cm X 13cm

NOTES

Custom requests can be considered on volume orders



FINISHES



SILVER



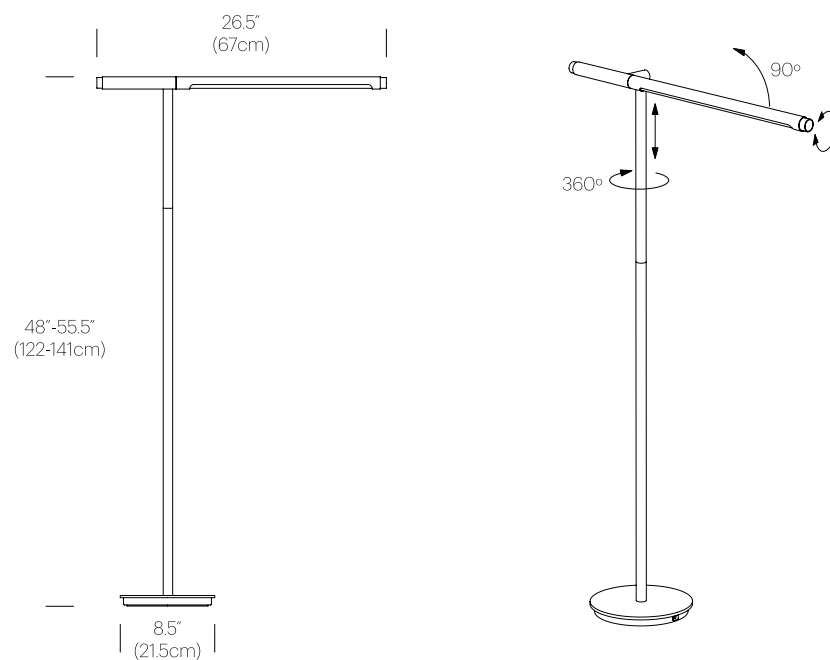
BLACK



WHITE

DIMENSIONS

BRAZO FLOOR

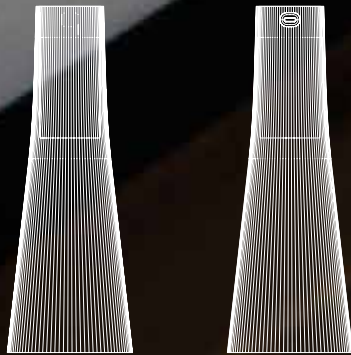


CANDÉL

Inspired by a cone of light, Candél's graceful vessel-like silhouette is in perfect harmony with its surroundings allowing the environment to filter through. Candél casts a warm, intimate candle-like glow that's sure to seduce and become the central focus of any social gathering. Candél is a fully rechargeable portable LED light designed for both indoors and outdoors. Features a robust PMMA body in clear, bronze, or smoked tint combined with a striking anodized aluminum light module that offers capacitive touch light control to provide up to 4 light levels to set the perfect ambiance. Battery life ranges from 10 to 150+ hours depending on light intensity.

Designer:
Pablo Pardo + Pablo Studio 2020

Awards:
2020 Hospitality Design Product Award
2021 International Design Award



CANDÉL

DESCRIPTION

Candél is a fully rechargeable portable LED light designed for both indoors and outdoors. Features a robust PMMA body in clear, bronze, or smoked tint combined with a striking anodized aluminum light and battery module that features capacitive touch technology for adjusting light intensity. Battery life: 10-150+ hours depending on light intensity.

FIXTURE TYPE

Portable

LIGHT SOURCE

LED High-Output chip on board

LIGHT CONTROL

Capacitive touch switch
4-stage dimming (100/70/30/7%)

FEATURES

Portable and rechargeable
10-150+hr battery life
USB-C charging cable included

SPECIFICATIONS

Power Consumption: 1.5W
Color Temperature: 2500-1800K (Warm Dim)
Luminosity: 100 Lumens
Luminaire Efficacy: 67 Lumens/Watt
Color Rendition Index: 94 CRI
Cable length: 6' (183cm)
3 hr Charge time (using 10W power plug, not included)
IP54 damp rated

CERTIFICATIONS



FINISHES

CANDÉL



CLEAR/SILVER



CLEAR/WHITE



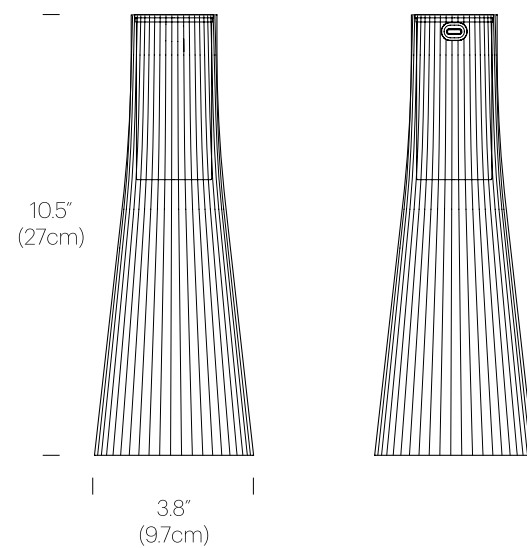
SMOKE/BLACK



BRONZE/BRASS

DIMENSIONS

CANDÉL



PRODUCT CODES

Candél (Silver/Clear):	CAND CLR
Candél (Brass/Bronze):	CAND BRZ
Candél (White/Clear):	CAND WHT
Candél (Black/Smoke):	CAND BLK

PACKAGING WEIGHTS AND DIMENSIONS

Candél:	1.5LBS	4" X 11.8"
	.68KGS	10cm X 30cm

NOTES

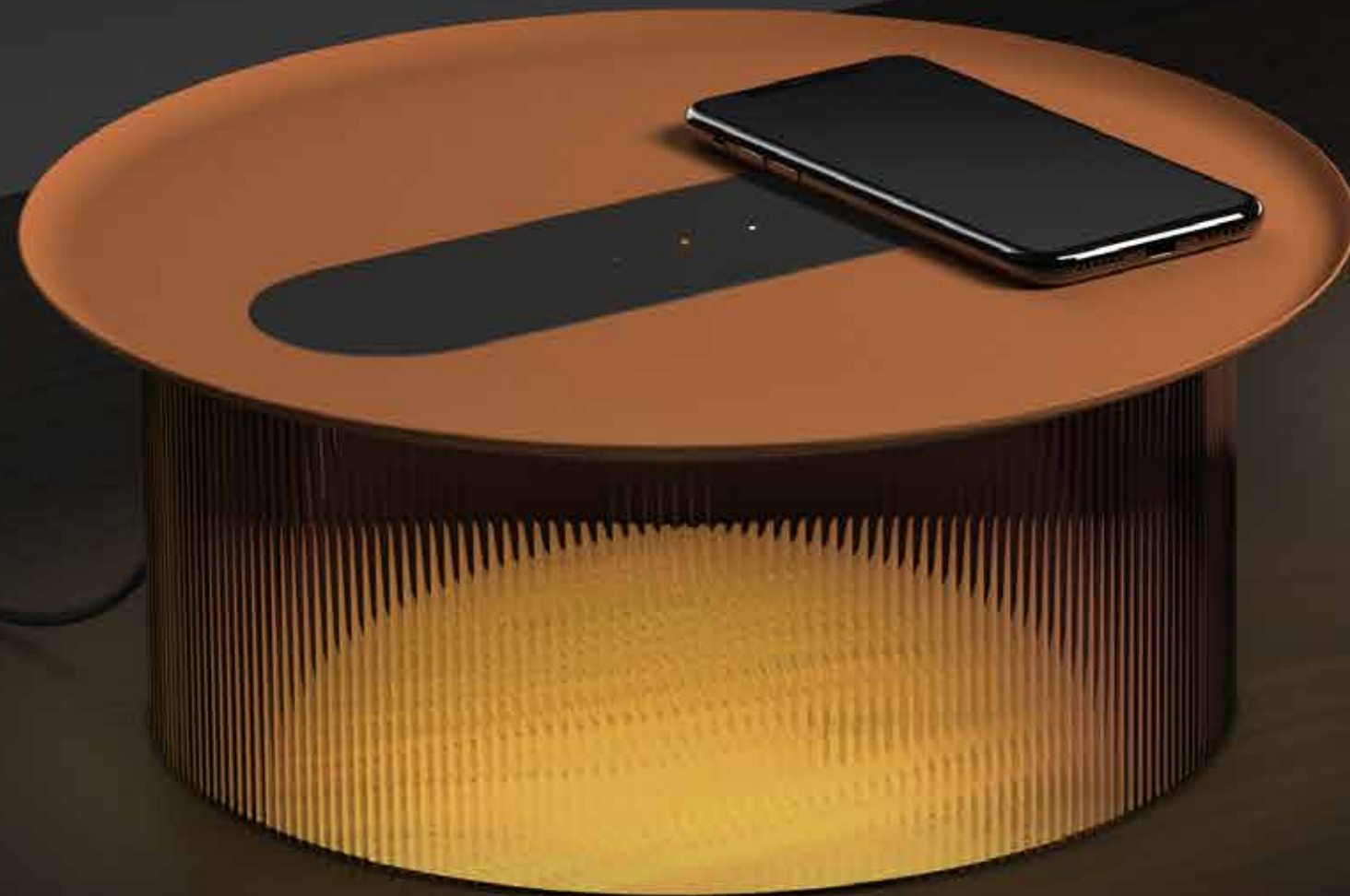
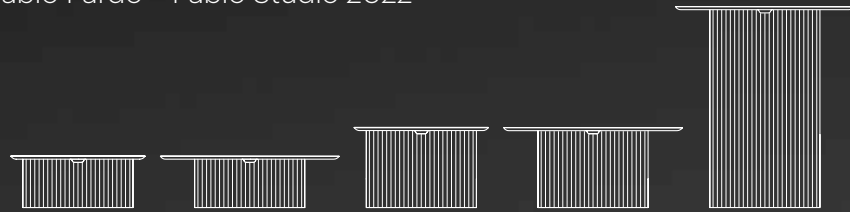
Custom requests can be considered on volume orders



CAROUSEL

Carousel blurs the line between ambiance and utility combining a low setting wireless charging tray surface for your mobile devices with warm, glare-free illumination. It's low profile LED light module is discreetly concealed below its mating tray and suspended atop a transparent fluted acrylic cylinder diffuser that radiates mesmerizing light patterns onto the table surface below. Perfectly suited for desktop or bedside use, Carousel embodies a uniquely hybrid perspective on what a personal light can be. The base diffuser is offered in both clear and bronze tint and can be paired with a spun steel tray in matte white, terra cotta, and black finishes.

Designer:
Pablo Pardo + Pablo Studio 2022



CAROUSEL TABLE

DESCRIPTION

Carousel blurs the line between ambiance and utility combining a low setting wireless charging tray surface for your mobile devices with warm, glare-free illumination. It's low profile LED light module is discreetly concealed below its mating tray and suspended atop a transparent fluted acrylic cylinder diffuser that radiates mesmerizing light patterns onto the table surface below. Perfectly suited for desktop or bedside use, Carousel embodies a uniquely hybrid perspective on what a personal light can be. The base diffuser is offered in both clear and bronze tint and can be paired with a spun steel tray in White, Terracotta, and Black.

FIXTURE TYPE

Table

LIGHT SOURCE

Flat Panel LED

LIGHT CONTROL

Capacitive touch switch (3-stage dimming 100/40/10%)

FEATURES

Wireless charging w/ indicator light (2)
USB-C charging port

SPECIFICATIONS

Voltage: 120-240V 50/60Hz
Power Consumption: 6W
Color Temperature: 2700-2200K
Luminosity: 280 Lumens
Luminaire Efficacy: 47 Lumens/Watt
Color Rendition Index: 90 CRI
Cable length: 6' (183cm)

CERTIFICATIONS



PRODUCT CODES

Carousel Table Small 12 (Black/Bronze):	CARO SML BRZ 12 BLK
Carousel Table Small 12 (Black/Clear):	CARO SML CLR 12 BLK
Carousel Table Small 12 (White/Bronze):	CARO SML BRZ 12 WHT
Carousel Table Small 12 (White/Clear):	CARO SML CLR 12 WHT
Carousel Table Small 12 (Terracotta/Bronze):	CARO SML BRZ 12 TER
Carousel Table Small 12 (Terracotta/Clear):	CARO SML CLR 12 TER
Carousel Table Small 16 (Black/Bronze):	CARO SML BRZ 16 BLK
Carousel Table Small 16 (Black/Clear):	CARO SML CLR 16 BLK
Carousel Table Small 16 (White/Bronze):	CARO SML BRZ 16 WHT
Carousel Table Small 16 (White/Clear):	CARO SML CLR 16 WHT
Carousel Table Small 16 (Terracotta/Bronze):	CARO SML BRZ 16 TER
Carousel Table Small 16 (Terracotta/Clear):	CARO SML CLR 16 TER
Carousel Table Large 12 (Black/Bronze):	CARO LRG BRZ 12 BLK
Carousel Table Large 12 (Black/Clear):	CARO LRG CLR 12 BLK
Carousel Table Large 12 (White/Bronze):	CARO LRG BRZ 12 WHT
Carousel Table Large 12 (White/Clear):	CARO LRG CLR 12 WHT
Carousel Table Large 12 (Terracotta/Bronze):	CARO LRG BRZ 12 TER
Carousel Table Large 12 (Terracotta/Clear):	CARO LRG CLR 12 TER
Carousel Table Large 16 (Black/Bronze):	CARO LRG BRZ 16 BLK
Carousel Table Large 16 (Black/Clear):	CARO LRG CLR 16 BLK
Carousel Table Large 16 (White/Bronze):	CARO LRG BRZ 16 WHT
Carousel Table Large 16 (White/Clear):	CARO LRG CLR 16 WHT
Carousel Table Large 16 (Terracotta/Bronze):	CARO LRG BRZ 16 TER
Carousel Table Large 16 (Terracotta/Clear):	CARO LRG CLR 16 TER

PACKAGING WEIGHTS AND DIMENSIONS

Carousel Table SM:	1LBS	11" X 11" X 5.5"
(Base)	.45KG	28cm X 28cm X 14cm
Carousel Table:	2LBS	13" X 13" X 1.5"
(12" Tray and Module)	.9KG	33cm X 33cm X 3.8cm
Carousel Table LG:	1.5LBS	6" X 6" X 15.75"
(Base)	7KG	15cm X 15cm X 40cm
Carousel Table:	5LBS	17" X 17" X 1.5"
(16" Tray and Module)	2.25KG	43cm X 43cm X 4cm

NOTES

Custom requests can be considered on volume orders



FINISHES

DIFFUSER



CLEAR



BRONZE

TRAY



TERRACOTTA



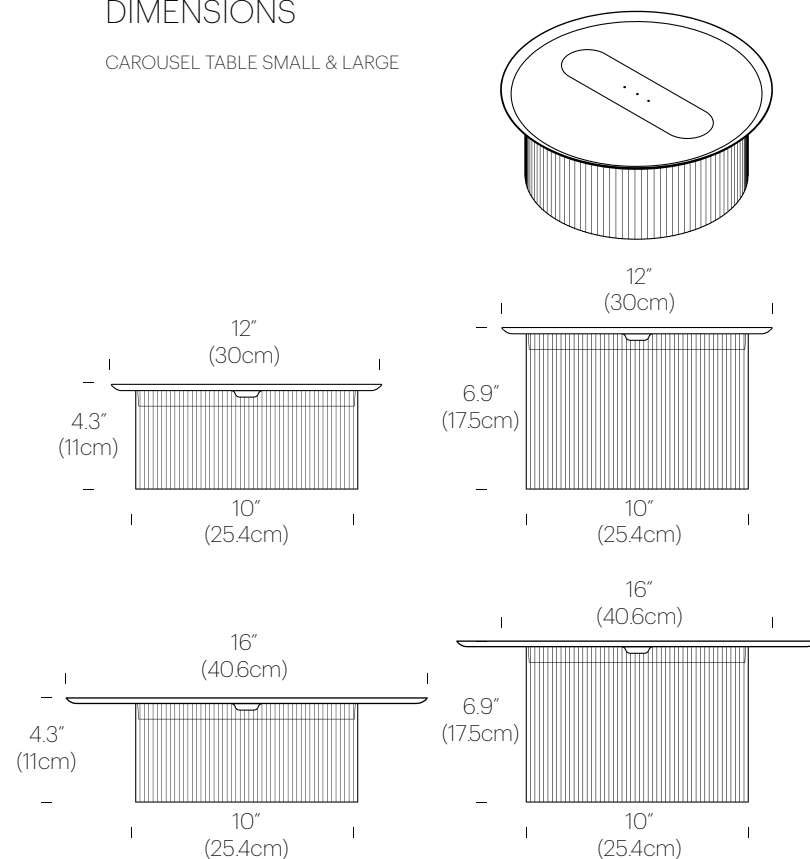
WHITE



BLACK

DIMENSIONS

CAROUSEL TABLE SMALL & LARGE





CAROUSEL FLOOR

DESCRIPTION

Carousel blurs the line between ambiance and utility combining a low setting wireless charging tray surface for your mobile devices with warm, glare-free illumination. It's low profile LED light module is discreetly concealed below its mating tray and suspended atop a transparent fluted acrylic cylinder diffuser that radiates mesmerizing light patterns onto the table surface below. Perfectly suited for desktop or bedside use, Carousel embodies a uniquely hybrid perspective on what a personal light can be. The base diffuser is offered in both clear and bronze tint and can be paired with a spun steel tray in White, Terracotta, and Black.

FIXTURE TYPE

Floor

LIGHT SOURCE

Flat Panel LED

LIGHT CONTROL

Capacitive touch switch (3-stage dimming 100/40/10%)

FEATURES

Wireless charging w/ indicator light (2)
USB-C charging port

SPECIFICATIONS

Voltage: 120-240V 50/60Hz
Power Consumption: 7W
Color Temperature: 2700-2200K
Luminosity: 280 Lumens
Luminaire Efficacy: 47 Lumens/Watt
Color Rendition Index: 90 CRI
Cable length: 6' (183cm)

CERTIFICATIONS



FINISHES

DIFFUSER



CLEAR



BRONZE

TRAY



TERRACOTTA



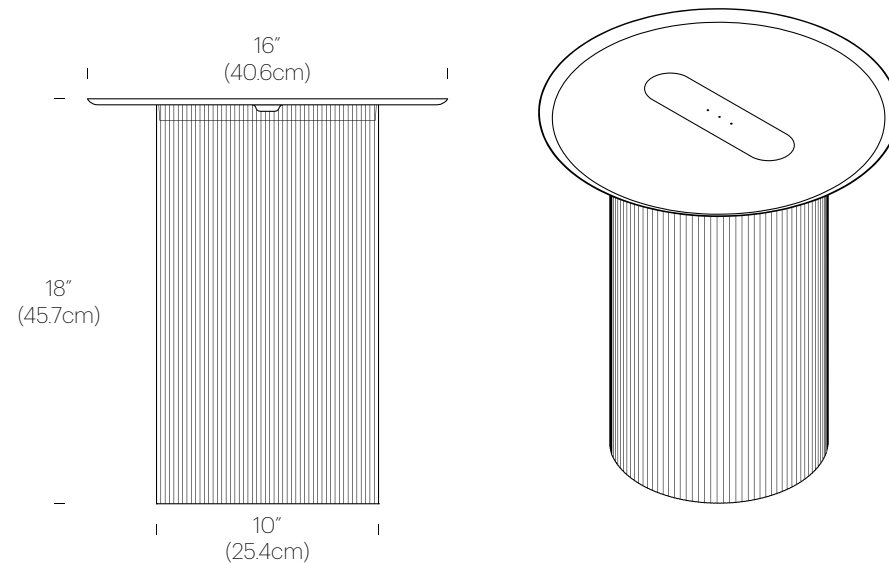
WHITE



BLACK

DIMENSIONS

CAROUSEL FLOOR



PRODUCT CODES

Carousel Floor (Black/Bronze):	CARO FLR BRZ 16 BLK
Carousel Floor (Black/Clear):	CARO FLR CLR 16 BLK
Carousel Floor (White/Bronze):	CARO FLR BRZ 16 WHT
Carousel Floor (White/Clear):	CARO FLR CLR 16 WHT
Carousel Floor (Terracotta/Bronze):	CARO FLR BRZ 16 TER
Carousel Floor (Terracotta/Clear):	CARO FLR CLR 16 TER

PACKAGING WEIGHTS AND DIMENSIONS

Carousel Floor:	3.5LBS	17" X 17" X 20"
(Base)	1.6KG	43cm X 43cm X 51cm

NOTES

Custom requests can be considered on volume orders

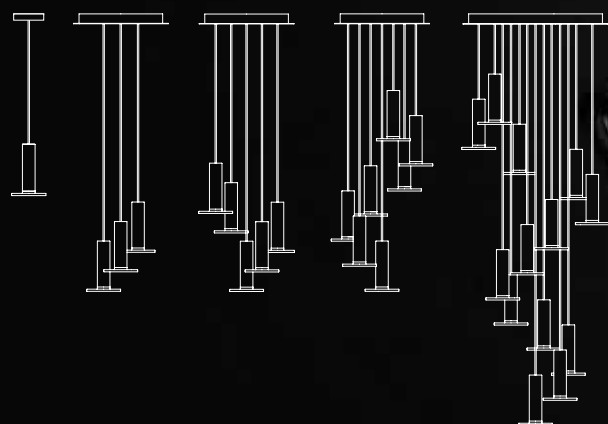




CIELO PLUS

Through its minimal form and glare-free, flat panel LED technology, Cielo enables light to act as its expressive element and defining feature. Its finish palate also works to this end, underscoring the lamp's simple structure and exalting its light. Cielo's classic shape integrates into any environment, regardless of style, and it can be suspended individually, in a series or as a chandelier to provide warm and balanced illumination. The larger the grouping, the bolder the display. Cielo offers a full dimming range and is composed of energy efficient LEDs rated for up to 50K hours. Now available in brand new Hi-Bright model boasting 930 lumens of glare free illumination.

Designer:
Pablo Studio 2012



CIELO PLUS PENDANT

DESCRIPTION

Cielo is an LED suspension light that provides perfectly balanced and warm illumination in a simple and expressive silhouette. Cielo can be suspended individually, in a series, or as a chandelier to accent any residential or hospitality setting. Cielo features a fully dimmable and energy efficient flat panel technology that is rated for up to a 50K hour lifespan. Now available in brand new Hi-Bright model boasting 930 lumens of glare free illumination.

FIXTURE TYPE

Pendant

LIGHT SOURCE

LED Flat-Panel

LIGHT CONTROL

Hard-wired, dimmable
Compatible with TRIAC and ELV dimmers
0-10V available upon request

FEATURES

Energy efficient flat panel technology
Full-range dim
Available in multiple color combinations
Glare-free illumination

SPECIFICATIONS

Voltage: 120V or 240V 50-60Hz
277V 50-60Hz available upon request
Power Consumption: 12.8W
Color temperature: 2700K
Luminosity: 930 Lumens
Luminaire efficacy: 72 Lumens/Watt
Color Rendition Index: 91 CRI
Title 20 compliant
50K hour lifespan
Cable length: 10' (305cm) (Field Cuttable)

CERTIFICATIONS



PRODUCT CODES

Cielo Plus (Black):	CIEL PLUS BLK/BLK
Cielo Plus (White):	CIEL PLUS WHT/WHT
Cielo Plus (Silver):	CIEL PLUS SLV
Cielo Plus (Brass):	CIEL PLUS BRA

PACKAGING WEIGHT AND DIMENSIONS

Cielo Plus:	3.65LBS	11" X 7.5" X 7.5"
	1.7KGS	28cm X 19cm X 19cm

NOTES

Custom requests can be considered on volume orders



FINISHES



MATTE BLACK/
BLACK CABLE



MATTE WHITE/
WHITE CABLE



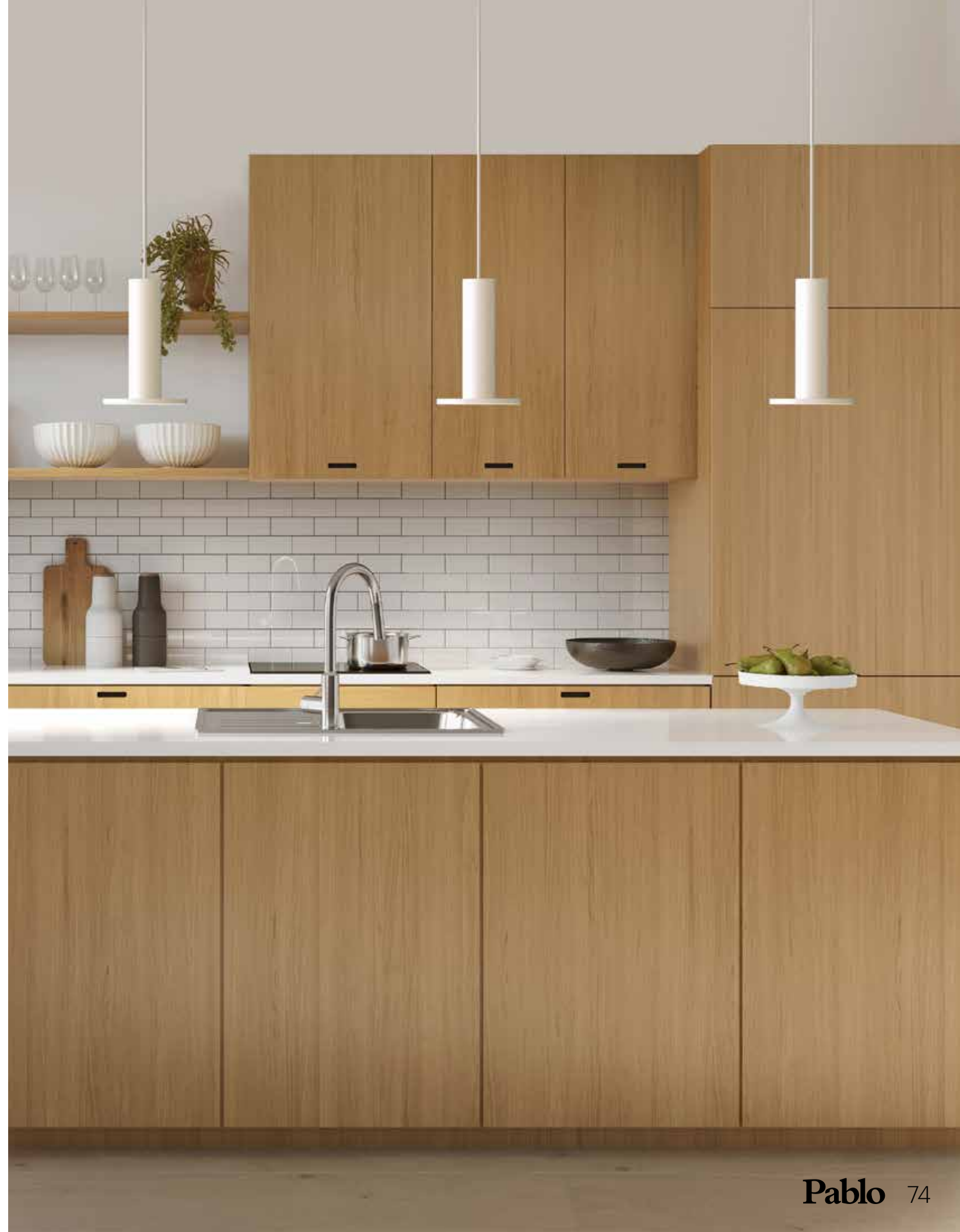
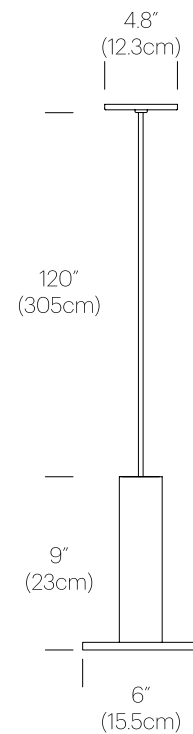
SILVER/
GREY CABLE



BRASS/
BLACK CABLE

DIMENSIONS

CIELO PLUS



CIELO PLUS CHANDELIER

DESCRIPTION

Cielo chandelier's grouping of LED pendants provides perfectly balanced and warm illumination in a simple and expressive silhouette. Cielo Chandelier is available in 3, 5, 7 and 13 Cielo pendant configurations to accent any residential, commercial or hospitality setting. Cielo features a fully dimmable and energy efficient flat panel technology that is rated for up to a 50K hour lifespan. Now available in brand new Hi-Bright model boasting 930 lumens of glare free illumination.

FIXTURE TYPE

Pendant

LIGHT SOURCE

LED Flat-Panel

LIGHT CONTROL

Hard-wired, dimmable
Compatible with TRIAC/ELV and 0-10V dimmers
0-10V dimming available upon request

FEATURES

Energy efficient flat panel technology
Full-range dim
Available in multiple color combinations
Glare-free illumination

SPECIFICATIONS

Voltage: 120V or 240V 50-60Hz
Power Consumption: 12.8W per lamp
Color temperature: 2700K
Luminosity: 930 Lumens
Luminaire efficacy: 72 Lumens/Watt
Color Rendition Index: 91 CRI
Title 20 compliant
50K hour lifespan
Cable length: 10' (305cm) (Field Cuttable)

CERTIFICATIONS



PRODUCT CODES

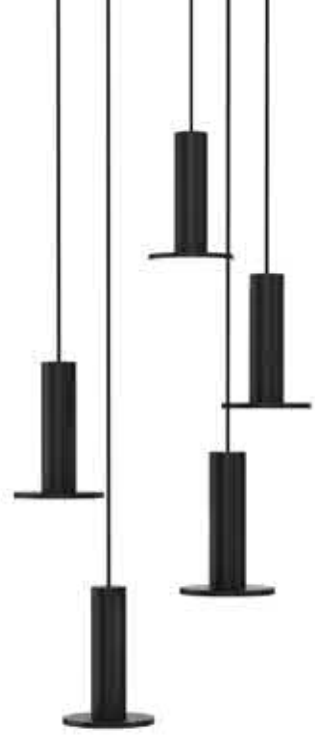
Cielo Plus (Black):	CIEL PLUS BLK/BLK
Cielo Plus (White):	CIEL PLUS WHT/WHT
Cielo Plus (Silver):	CIEL PLUS SLV
Cielo Plus (Brass):	CIEL PLUS BRA
Cielo Chandelier (3/5/7):	CIEL HB CHND 3/5/7
Cielo Chandelier (13):	CIEL HB CHND 13

PACKAGING WEIGHT AND DIMENSIONS

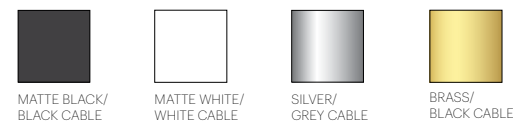
Cielo:	3.65LBS	11" X 7.5" X 7.5"
	1.7KGS	28cm X 19cm X 19cm
Chandelier canopy 17":	15LBS	22" X 22" X 6"
	6.8KGS	56cm X 56cm X 15cm
Chandelier canopy 26":	30LBS	32" X 32" X 6"
	13.6KGS	81cm X 81cm X 15cm

NOTES

Custom requests can be considered on volume orders

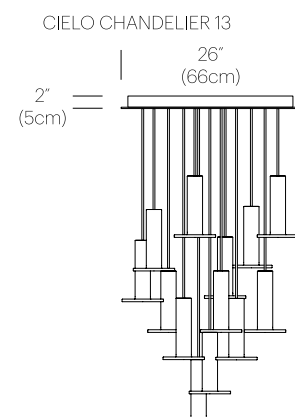
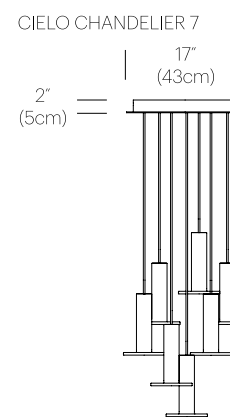
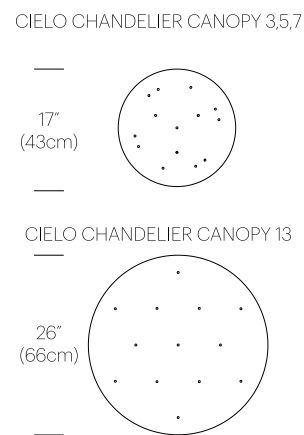
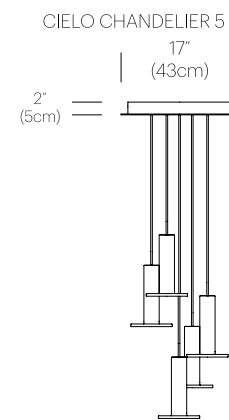
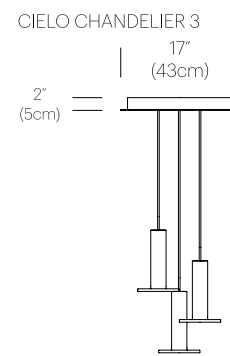


FINISHES



DIMENSIONS

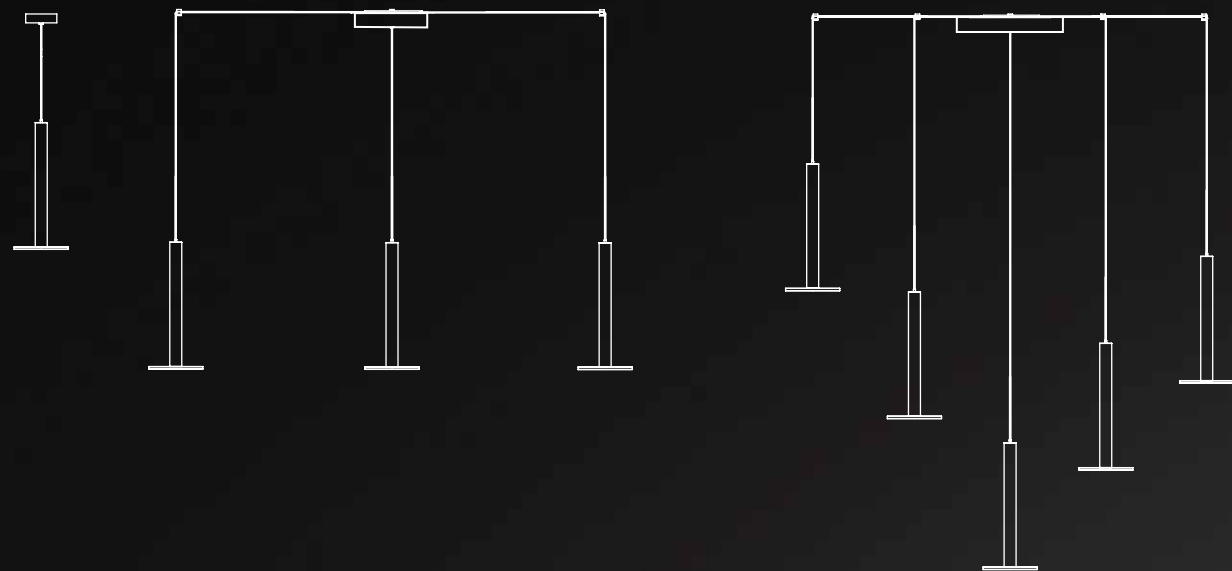
CIELO PLUS CHANDELIER



CIELO XL

The minimalist Cielo pendant Series is expanding to include the stunning new Cielo XL, a taller and slimmer design offering premium machined aluminum finishes and boasting a warm and brilliant 1200 lumen output. Cielo XL is scaled perfectly for hospitality and residential environments alike and can be suspended individually, in a series or as chandelier groupings to provide directional illumination that is both perfectly balanced and glare free. Cielo XL is fully dimmable and employs state of the art flat panel LED technology which is rated for up to 50K hours of use.

Designer:
Pablo Studio 2018



CIELO XL

DESCRIPTION

The minimalist Cielo pendant Series is expanding to include the stunning new Cielo XL, a taller and slimmer design offering premium machined aluminum finishes and boasting a warm and brilliant 1200 lumen output. Cielo XL is scaled perfectly for hospitality and residential environments alike and can be suspended individually, in a series or as chandelier groupings to provide focused illumination that is both perfectly balanced and glare free. Cielo XL is fully dimmable and employs state of the art flat panel LED technology which is rated for up to 50K hours of use.

FIXTURE TYPE

Pendant

LIGHT SOURCE

LED Flat-Panel

LIGHT CONTROL

Hard-wired, dimmable
Compatible with TRIAC/ELV and 0-10V dimmers

FEATURES

Energy efficient flat panel technology
Fully Dimmable
Glare-free illumination

SPECIFICATIONS

Voltage: 120V, 240V, or 277V 50/60Hz
Power Consumption: 18W
Color Temperature: 2700K
Luminosity: 1200 Lumens
Luminaire efficacy: 67Lumens/Watt
Color Rendition Index: 91 CRI
50K hour lifespan
Cable Length: 10' (3m) (Adjustable height)

CERTIFICATIONS



PRODUCT CODES

Cielo XL (Satin Aluminum):	CIEL XL SLV
Cielo XL (Polished Aluminum):	CIEL XL POL SLV
Cielo XL (Brass):	CIEL XL BRA
Cielo XL (Black):	CIEL XL BLK
Cielo XL (Gloss White):	CIEL XL WHT

PACKAGING WEIGHT AND DIMENSIONS

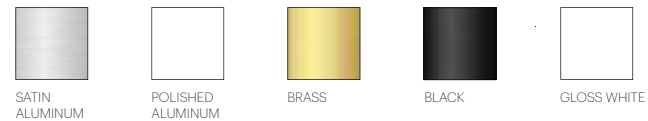
Cielo XL:	4.25LBS	8" X 8" X 19.5"
	2KG	20cm X 20cm X 49.5cm

NOTES

Custom requests can be considered on volume orders
0-10V dimming available upon request

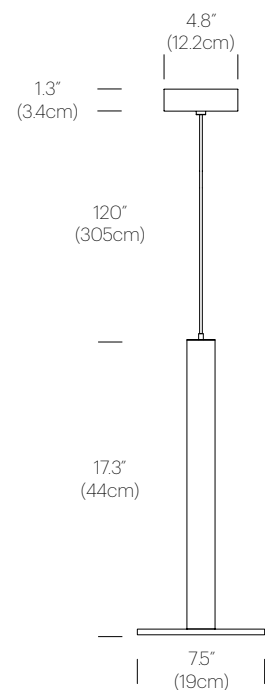


FINISHES



DIMENSIONS

CIELO XL



CIELO XL MULTI-LIGHT

DESCRIPTION



Cielo XL's stunning machined aluminum design can be suspended in a variety of unique custom arrangements with both round and linear canopy solutions. With Cielo XL Multi-Light, up to 9 lamps can be grouped together in a variety mixed sizes to form impressive luminaire displays. Both size and shape of the grouping is controlled by lamp quantity and positioning relative to the Multi-Light canopy. Swag mounts are provided to extend the lights out into space along with an ample height adjustable cord length of 10' (304cm) to offer a wide range of unique custom configurations.

FIXTURE TYPE

Pendant

LIGHT SOURCE

LED Flat-Panel

CERTIFICATIONS  

PRODUCT CODES

Multi-Light Canopy 9" (White):	CIEL XL CAN 9 WHT
Multi-Light Canopy 9" (Black):	CIEL XL CAN 9 BLK
Multi-Light Canopy 12" (White):	CIEL XL CAN 12 WHT
Multi-Light Canopy 12" (Black):	CIEL XL CAN 12 BLK

PACKAGING WEIGHT AND DIMENSIONS

Multi-Light Canopy 9"	4.3LBS	12" X 12" X 6"
	2KG	30.5cm X 30.5cm X 15cm
Multi-Light Canopy 12"	6.6LBS	12" X 12" X 6"
	3KG	30.5cm X 30.5cm X 15cm

NOTES

Custom requests can be considered on volume orders

CIELO XL Multi-Light Canopy
Small (Ø9" OD) Up to 4

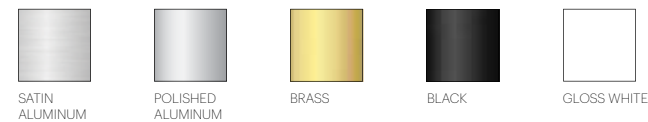


CIELO XL Multi-Light Canopy
Large (Ø12" OD) 5 to 7



2, 3, 4, 5, 6... 7

FINISHES



MULTI-LIGHT CANOPY



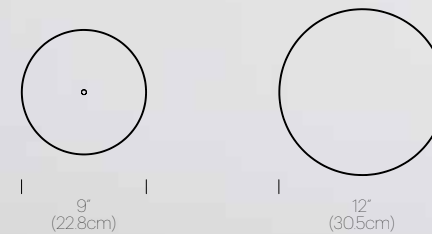
ROUND



LINEAR



MULTI-LIGHT CANOPY DIMENSIONS

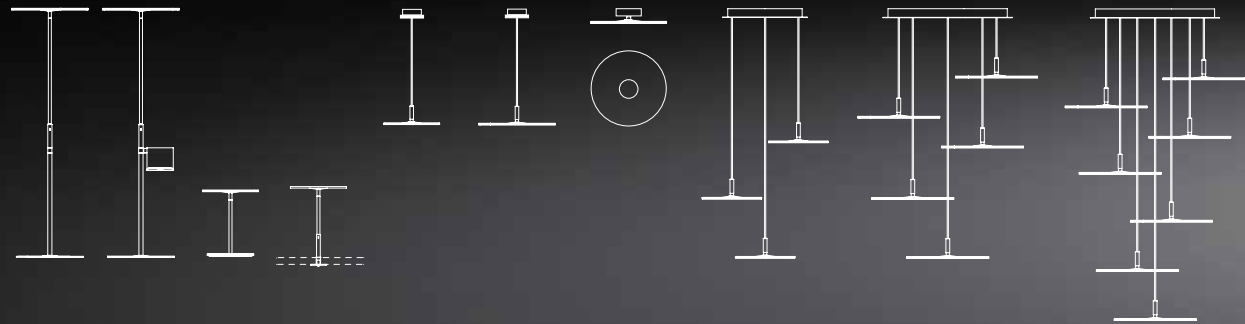


CIRCA

In designing Circa, the Pablo Studio designers wanted to create a product that was revolutionary yet familiar. They not only created a new lamp, but also a new archetype for indoor lighting – one that blurs the boundary between the utilitarian work lamp and traditional shaded lamp. Circa's defining feature is a flat-panel LED disc that moves fluidly above its axis point. This mobility allows the lamp to assume an infinite number of positions while functioning as a task lamp that provides balanced, ambient light. Circa also supports a user's mobile devices by integrating a USB charging port on the table, grommet, and floor models.

Designer:
Pablo Studio 2013

Awards:
2013 NY NOW Excellence in Product Design



CIRCA TABLE

DESCRIPTION

Circa's revolutionary flat-panel LED light source combines seamless movement with warm and balanced illumination. Through its integrated USB charging port, 45° shade tilt and 360° rotation, Circa redefines the ambient lighting category. Circa is available in a wide range of models to satisfy all residential, office and hospitality applications.

FIXTURE TYPE

Table

LIGHT SOURCE

LED Flat-Panel

LIGHT CONTROL

Full range dim control 100%-10% (optical switch)

FEATURES

- 360° shade rotation
- 45° shade tilt in two directions
- USB-A charging port
- Ships flat-packed

SPECIFICATIONS

- Voltage: 120V or 240V 50-60Hz
- Power Consumption: 8.7W
- Color temperature: 2700K
- Luminosity: 500 Lumens
- Luminaire efficacy: 57 Lumens/Watt
- Color Rendition Index: 90 CRI
- ADA compliant
- Title 20 compliant
- 50K hour lifespan
- Cable length: 8' (244cm)
- Global multi-plug adapter available

CERTIFICATIONS



PRODUCT CODES

Circa Table (Graphite):	CIRC-TBL-GPT
Circa Table (White):	CIRC-TBL-WHT
Circa Table Grommet (White):	CIRC-GROM-WHT
Circa Table Grommet (Graphite):	CIRC-GROM-GPT

PACKAGING WEIGHT AND DIMENSIONS

Circa Table :	8.45LBS	15" X 14" X 4"
	3.8KGS	38cm X 36cm X 10cm

NOTES

Custom requests can be considered on volume orders



FINISHES



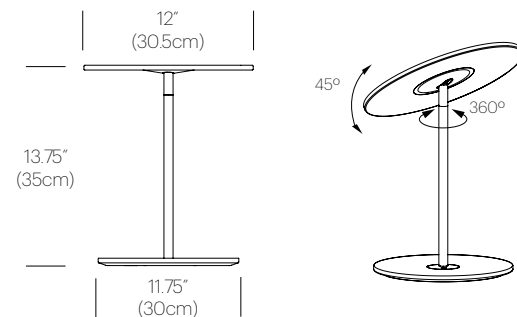
WHITE



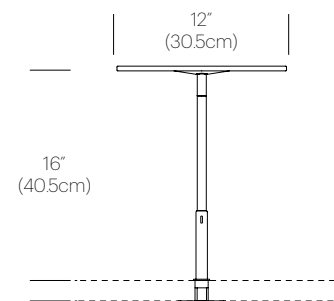
GRAPHITE

DIMENSIONS

CIRCA TABLE



CIRCA GROMMET



SURFACE MOUNT AVAILABLE FOR
118" (3cm), 2" (5cm) AND 3" (7.5cm)
WORKSURFACES



CIRCA FLOOR

DESCRIPTION

Circa's revolutionary flat-panel LED light source combines seamless movement with warm and balanced illumination. Through its integrated USB charging port, 45° shade tilt and 360° rotation, Circa redefines the ambient lighting category. Circa is available in a wide range of models to satisfy all residential, office and hospitality applications.

FIXTURE TYPE

Floor

LIGHT SOURCE

LED Flat-Panel

LIGHT CONTROL

Full range dim control 100%-10% (optical switch)

FEATURES

- 360° shade rotation
- 45° shade tilt in two directions
- USB-A charging port
- Ships flat-packed

SPECIFICATIONS

- Voltage: 120V or 240V 50-60Hz
- Power Consumption: 11.5W
- Color temperature: 2700K
- Luminosity: 800 Lumens
- Luminaire efficacy: 70 Lumens/Watt
- Color Rendition Index: 90 CRI
- ADA compliant
- Title 20 compliant
- 50K hour lifespan
- Cable length: 8' (244cm)
- Global multi-plug adapter available

CERTIFICATIONS



PRODUCT CODES

Circa Floor (Graphite):	CIRC FLR GPT
Circa Floor (White):	CIRC FLR WHT
Circa Floor+Ped. (Graphite):	CIRC FLR PED GPT
Circa Floor+Ped. (White):	CIRC FLR PED WHT

PACKAGING WEIGHT AND DIMENSIONS

Circa Floor:	21.9LBS	29" X 18" X 3.5"
	9.9KGS	74cm X 46cm X 9cm
Circa Floor Pedestal:	2.85LBS	11" X 11" X 3"
	1.3KGS	28cm X 28cm X 8cm

NOTES

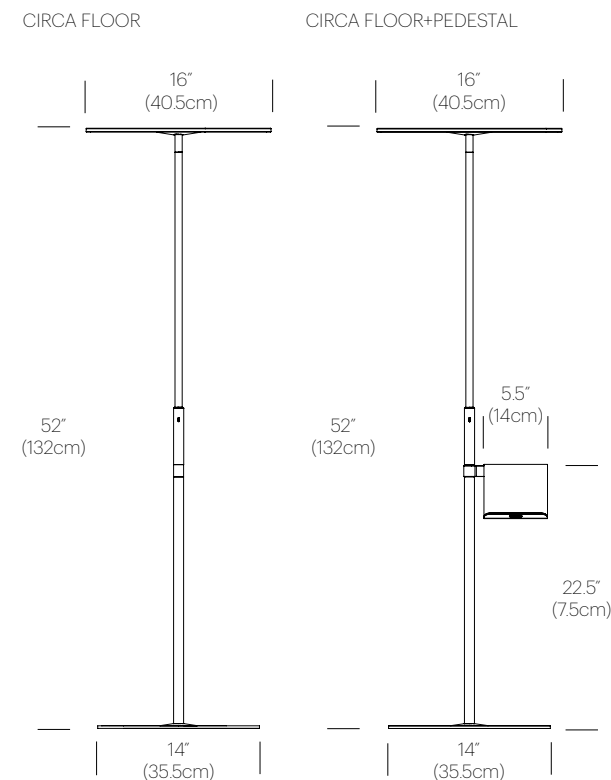
Custom requests can be considered on volume orders



FINISHES



DIMENSIONS



CIRCA FLUSH

DESCRIPTION

Circa's revolutionary flat-panel LED light source combines seamless movement with warm and balanced illumination. Circa is available in a wide range of models to satisfy all residential, office and hospitality applications.

FIXTURE TYPE

Wall/Ceiling

LIGHT SOURCE

LED Flat-Panel

LIGHT CONTROL

Hard wired, dimmable
Compatible with TRIAC and ELV dimmers
0-10V dimming available upon request

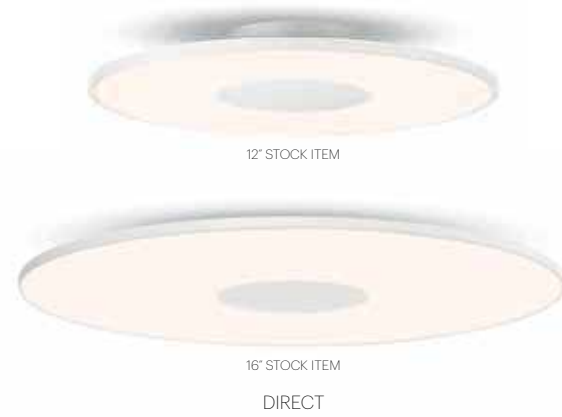
FEATURES

Ships flat-packed

SPECIFICATIONS

Voltage: 120 or 240V 50/60Hz
277V 50/60Hz available upon request
Power Consumption: 10.5W
Color temperature: 2700K
Luminosity: 12"(500 Lm), 16"(800 Lm)
Luminaire efficacy: 76 Lumens/Watt
Color Rendition Index: 90 CRI
Title 20 compliant
ADA compliant
50K hour lifespan

CERTIFICATIONS

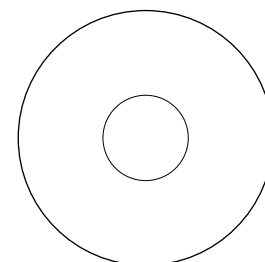
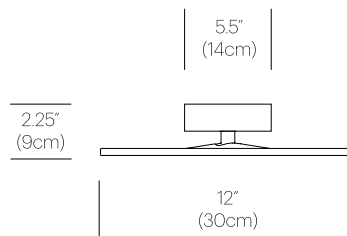


FINISHES

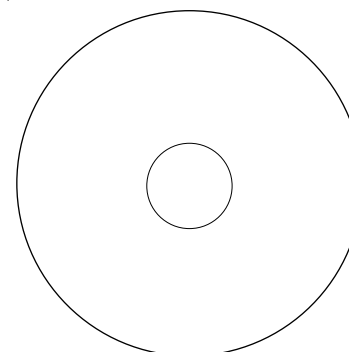
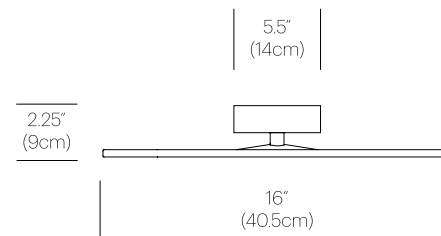


DIMENSIONS

CIRCA FLUSH 12



CIRCA FLUSH 16



PRODUCT CODES

Circa Flush Direct 12 Graphite:	Special order only
Circa Flush Direct 12 White:	CIRC FSH 12 WHT
Circa Flush Direct 16 Graphite:	Special order only
Circa Flush Direct 16 White:	CIRC FSH 16 WHT
Circa Flush Indirect 12 Graphite:	Special order only
Circa Flush Indirect 12 White:	Special order only
Circa Flush Indirect 16 Graphite:	Special order only
Circa Flush Indirect 16 White:	Special order only

PACKAGING WEIGHT AND DIMENSIONS

Circa Flush 12:	5.75LBS	15" X 14" X 4"
	2.6KGS	38cm X 36cm X 10cm
Circa Flush 16 :	9.05LBS	18.5" X 18" X 4"
	4.1KGS	47cm X 46cm X 10cm

NOTES

Custom requests can be considered on volume orders



CIRCA PENDANT

DESCRIPTION

Circa's revolutionary flat-panel LED light source combines seamless movement with warm and balanced illumination. Through its 45° shade tilt and 360° rotation, Circa redefines the ambient lighting category. Circa is available in a wide range of models to satisfy all residential, office and hospitality applications.

FIXTURE TYPE

Pendant

LIGHT SOURCE

LED Flat-Panel

LIGHT CONTROL

Hard wired, dimmable
Compatible with TRIAC and ELV dimmers
0-10V dimming available upon request

FEATURES

360° shade rotation
45° shade tilt in two directions
Ships flat-packed

SPECIFICATIONS

Voltage: 120 or 240V 50-60Hz
Power Consumption: 10.5W
Color temperature: 2700K
Luminosity: 12"(500 Lm), 16"(800 Lm)
Luminaire efficacy: 76 Lumens/Watt
Color Rendition Index: 90 CRI
Title 20 compliant
50K hour lifespan
Cable length: 10' (305cm) (Field Cuttable)

CERTIFICATIONS

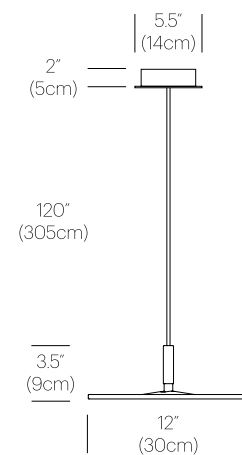


FINISHES

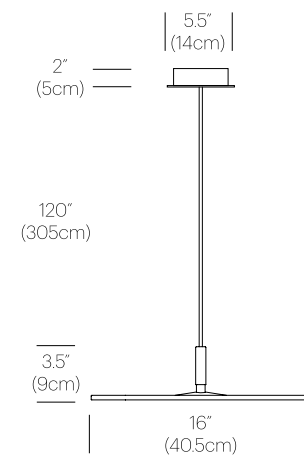


DIMENSIONS

CIRCA PENDANT 12



CIRCA PENDANT 16



PRODUCT CODES

Circa Pendant 12 Graphite:	CIRC PND 12 GPT
Circa Pendant 12 White:	CIRC PND 12 WHT
Circa Pendant 16 Graphite:	CIRC PND 16 GPT
Circa Pendant 16 White:	CIRC PND 16 WHT

PACKAGING WEIGHT AND DIMENSIONS

Circa Pendant 12:	5.75LBS	15" X 14" X 4"
	2.6KGS	38cm X 36cm X 10cm
Circa Pendant 16 :	9.05LBS	18.5" X 18" X 4"
	4.1KGS	47cm X 46cm X 10cm

NOTES

Custom requests can be considered on volume orders



CIRCA CHANDELIER

DESCRIPTION

Circa's revolutionary flat-panel LED light source combines seamless movement with warm and balanced illumination. Through its 45° shade tilt and 360° rotation, Circa redefines the ambient lighting category. Circa Chandelier is available in 3, 5, and 7 lamp configurations to fit a wide range of commercial and residential environments.

FIXTURE TYPE

Pendant

LIGHT SOURCE

LED Flat-Panel

LIGHT CONTROL

Hard wired, dimmable
Compatible with TRIAC and ELV dimmers
0-10V dimming available upon request

FEATURES

360° shade rotation
45° shade tilt in two directions
Ships flat-packed

SPECIFICATIONS

Voltage: 120 or 240V 50-60Hz
Power Consumption: 10.5W per lamp
Color temperature: 2700K
Luminosity: 12"(500 Lm), 16"(800 Lm) per lamp
Luminaire efficacy: 76 Lumens/Watt
Color Rendition Index: 90 CRI
Title 20 compliant
50K hour lifespan
Cable length: 10' (305cm) (Field Cuttable)

CERTIFICATIONS



PRODUCT CODES

Circa Pendant 12 Graphite:	CIRC PND 12 GPT
Circa Pendant 12 White:	CIRC PND 12 WHT
Circa Pendant 16 Graphite:	CIRC PND 16 GPT
Circa Pendant 16 White:	CIRC PND 16 WHT
17" Chandelier Canopy:	CHND CAN 17
26" Chandelier Canopy:	CHND CAN 26

PACKAGING WEIGHT AND DIMENSIONS

Circa Pendant 12:	5.75LBS	15" X 14" X 4"
	2.6KGS	38cm X 36cm X 10cm
Circa Pendant 16 :	9.05LBS	18.5" X 18" X 4"
	4.1KGS	47cm X 46cm X 10cm
Chandelier canopy 17":	15LBS	22" X 22" X 6"
	6.8KGS	56cm X 56cm X 15cm
Chandelier canopy 26":	30LBS	32" X 32" X 6"
	13.6KGS	81cm X 81cm X 15cm

NOTES

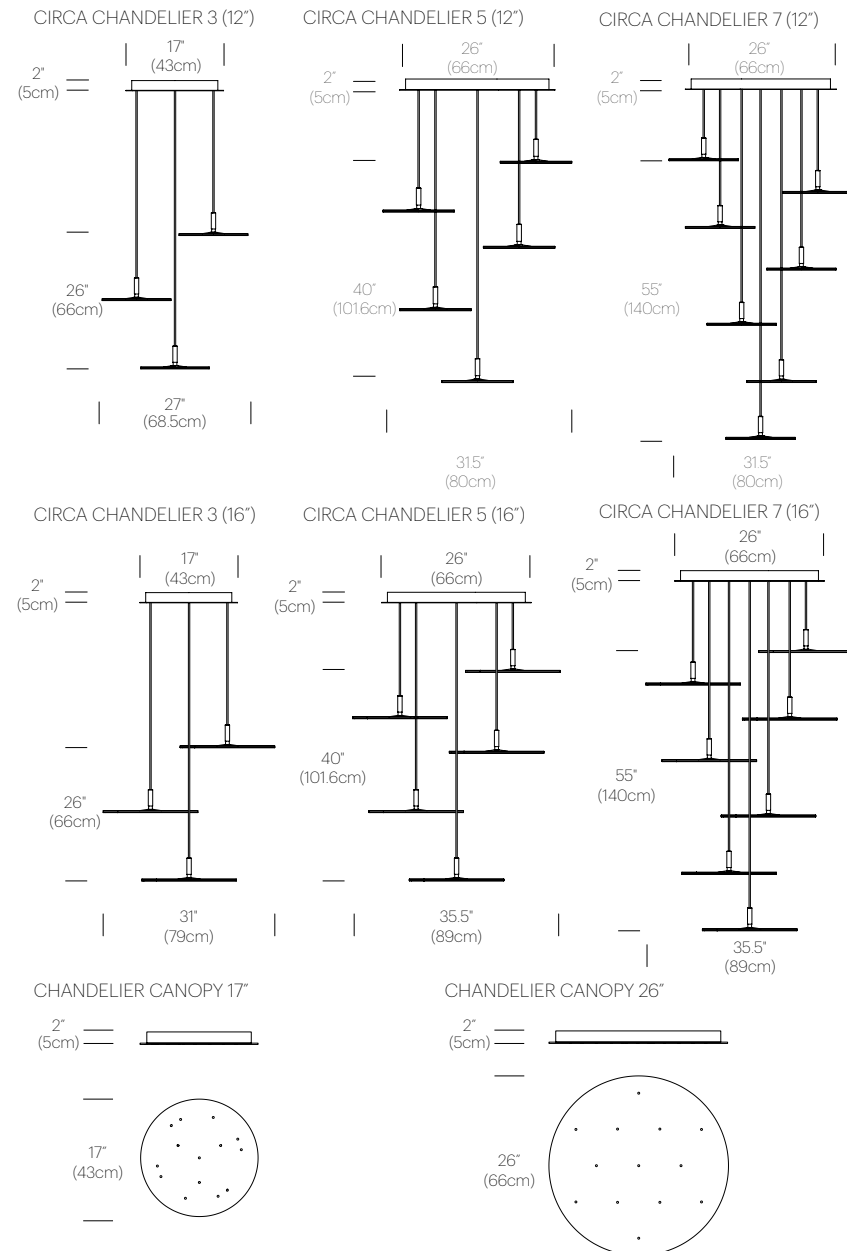
Custom requests can be considered on volume orders



FINISHES



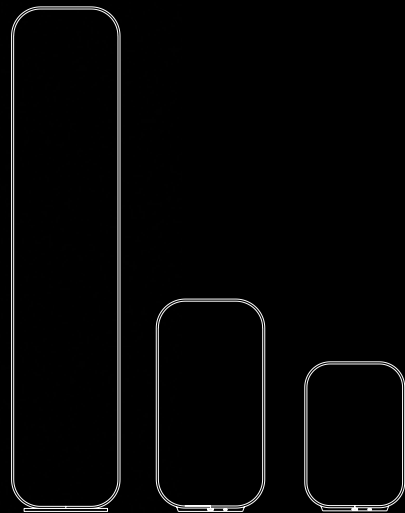
DIMENSIONS



CONTOUR

Contour's revealing and elegant open framed architecture captures warm LED illumination within a remarkably slender extruded aluminum structure. Intelligent and highly efficient, Contour's minimalist design has been refined to the bare essentials, creating a rich interior space for your personal belongings while providing an unobstructed view of its surroundings. Contour's premium wood interiors provide an inviting resting place for your books, precious objects, or for charging your mobile devices with its integrated USB-A port.

Designer:
Pablo Studio 2015



CONTOUR TABLE

DESCRIPTION

Contour's revealing and elegant open framed architecture captures warm LED illumination within a remarkably slender extruded aluminum structure. Intelligent and highly efficient, Contour's minimalist design has been refined to the bare essentials, creating a rich interior space for your personal belongings while providing an unobstructed view of its surroundings. Contour's premium wood and woven fabric interiors provide an inviting resting place for your books, precious objects, or for charging your mobile devices with its integrated USB port.

FIXTURE TYPE

Table

LIGHT SOURCE

(60x) High output LED array

LIGHT CONTROL

Full range dim control

FEATURES

Glare-free illumination
USB charging port

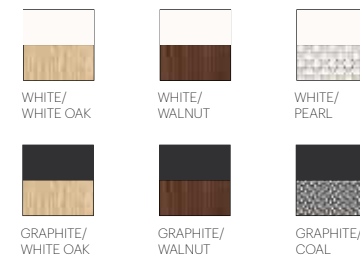
SPECIFICATIONS

Voltage: 120-240V 50-60Hz
Power Consumption: 8W MAX
Color temperature: 3000K
Luminosity: 780 Lumens
Luminaire efficacy: 98 Lumens/Watt
Color Rendition Index: 80+ CRI
50K hour lifespan
Cable length: 8' (244cm)
Global multi-plug adapter available
Patent number: D774,239

CERTIFICATIONS



FINISHES



DIMENSIONS

TABLE SM

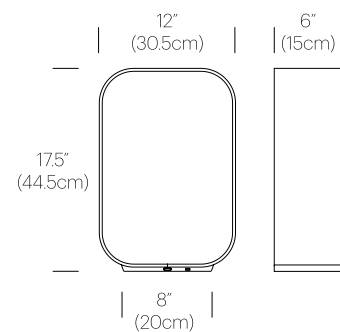
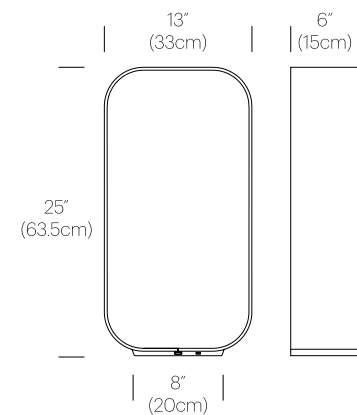


TABLE LG



PRODUCT CODES

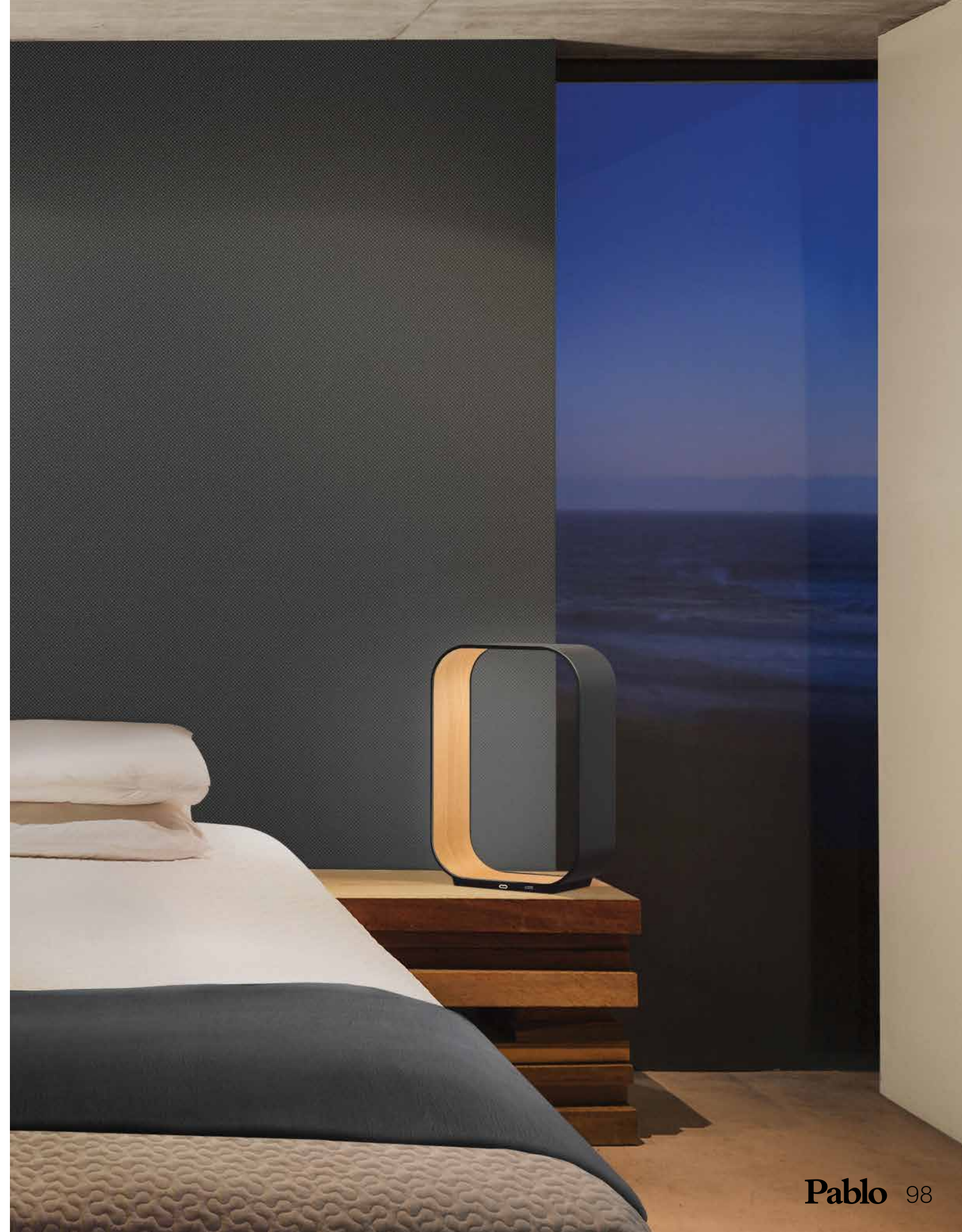
Contour Table SM White/White Oak	CONT SML WHT/OAK
Contour Table SM White/Walnut	CONT SML WHT/WAL
Contour Table SM White/Pearl	CONT SML WHT/PEARL
Contour Table SM Graphite/White Oak	CONT SML GPT/OAK
Contour Table SM Graphite/Walnut	CONT SML GPT/WAL
Contour Table SM Graphite/Coal	CONT SML GPT/COAL
Contour Table LG White/White Oak	CONT LRG WHT/OAK
Contour Table LG White/Walnut	CONT LRG WHT/WAL
Contour Table LG White/Pearl	CONT LRG WHT/PEARL
Contour Table LG Graphite/White Oak	CONT LRG GPT/OAK
Contour Table LG Graphite/Walnut	CONT LRG GPT/WAL
Contour Table LG Graphite/Coal	CONT LRG GPT/COAL

PACKAGING WEIGHT AND DIMENSIONS

CONTOUR TABLE SM:	11LBS 17.5" X 12" X 6"
	5KGS 44.5cm X 30cm X 15cm
CONTOUR TABLE LG:	13LBS 25" X 13" X 6"
	6KGS 63.5cm X 33cm X 15cm

NOTES

Custom requests can be considered on volume orders



CONTOUR FLOOR

DESCRIPTION

Contour's revealing and elegant open framed architecture captures warm LED illumination within a remarkably slender extruded aluminum structure. Intelligent and highly efficient, Contour's minimalist design has been refined to the bare essentials, creating a rich interior space for your personal belongings while providing an unobstructed view of its surroundings. Contour's premium wood interiors provide an inviting resting place for your books, precious objects.

FIXTURE TYPE

Floor

LIGHT SOURCE

(60x) High output LED array

LIGHT CONTROL

Full range dim control (in-line floor dimmer)

FEATURES

Glare-free illumination

SPECIFICATIONS

Voltage: 120-240V 50-60Hz
 Power Consumption: 21.5W MAX
 Color temperature: 3000K
 Luminosity: 1800 Lumens
 Luminaire efficacy: 84 Lumens/Watt
 Color Rendition Index: 80+ CRI
 50K hour lifespan
 Cable length: 9' (274cm)
 Global multi-plug adapter available
 Patent number: D774,239

CERTIFICATIONS

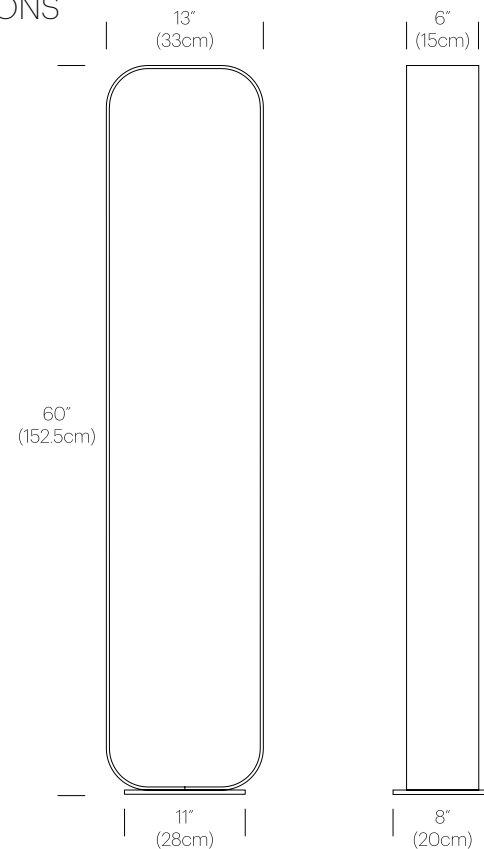


FINISHES



DIMENSIONS

FLOOR



PRODUCT CODES

Contour Floor White/White Oak:	CONT FLR WHT/OAK
Contour Floor White/Walnut:	CONT FLR WHT/WAL
Contour Floor White/Pearl:	CONT FLR WHT/PEARL
Contour Floor Graphite/White Oak:	CONT FLR GPT/OAK
Contour Floor Graphite/Walnut:	CONT FLR GPT/WAL
Contour Floor Graphite/Coal:	CONT FLR GPT/COAL

PACKAGING WEIGHT AND DIMENSIONS

CONTOUR FLOOR: 30LBS	60" X 13" X 6"
14KGS	152.5cm X 13cm X 15cm

NOTES

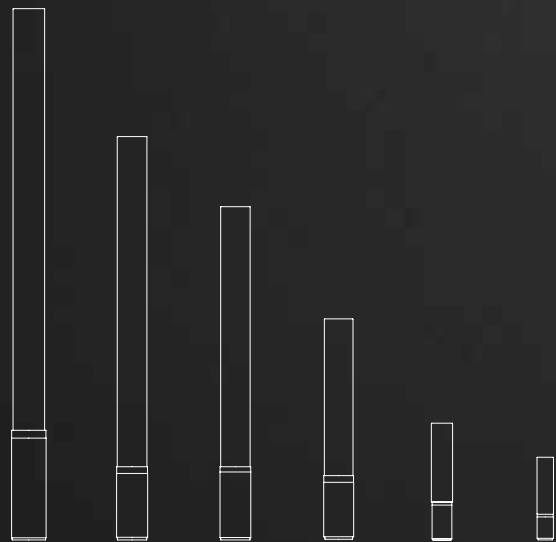
Custom requests can be considered on volume orders



ELISE

Elise is a conceptual tribute to the machine age: streamlined, understated, and honest in its function as a light source. Celebrating the most classic of industrial forms, the cylinder, two elements compose the lamp: a refined aluminum or marble base conceals the light source, providing ample ballast, while its towering frosted acrylic diffuser becomes a beacon of light. Its confident, geometric simplicity enables it to comfortably inhabit a diversity of spaces. Elise offers a full dimming range and is available in heights ranging from 12" to 80".

Designer:
Pablo Pardo 1998/2019



ELISE TABLE

DESCRIPTION

The timeless Elise lamp pays tribute to the advent of the machine age. Its refined machined aluminum base combined with its towering frosted acrylic diffuser serves as the perfect combination for elegant lighting. Elise features full-range dimming capability to set the mood in any setting.

FIXTURE TYPE

Table

LIGHT SOURCE

Elise 12:
Candelabra base 25W frosted torpedo bulb : 212Lm (US)
White E14 base 25W frosted torpedo bulb: 212Lm (EU)

Elise 18:
E26 base 40W T10 frosted tubular bulb: 280lm

LIGHT CONTROL

Full range dim (in-line rotary dimmer)

SPECIFICATIONS

Voltage: 120V or 240V
Cable length: 6' (182cm)

CERTIFICATIONS

UL listed components



FINISHES



FROSTED WHITE/
SILVER



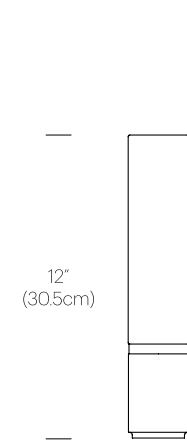
FROSTED WHITE/
BRASS



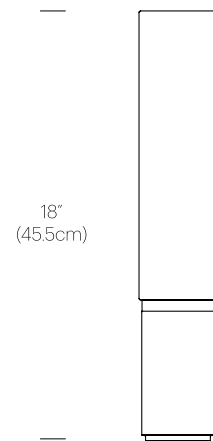
FROSTED WHITE/
BLACK

DIMENSIONS

ELISE 12



ELISE 18



PRODUCT CODES

Elise 12 (Silver):	ELIS 12 SLV
Elise 12 (Black):	ELIS 12 BLK
Elise 12 (Brass):	ELIS 12 BRA
Elise 18 (Silver):	ELIS 18 SLV
Elise 18 (Black):	ELIS 18 BLK
Elise 18 (Brass):	ELIS 18 BRA

PACKAGING WEIGHT AND DIMENSIONS

Elise 12:	2.75LBS	12.5" X 4.5" X 4"
	1.2KGS	32cm X 11cm X 10cm
Elise 18:	3.3LBS	18.5" X 5" X 4"
	1.5KGS	47cm X 13cm X 10cm

NOTES

Custom requests can be considered on volume orders



ELISE FLOOR

DESCRIPTION

The timeless Elise lamp pays tribute to the advent of the machine age. Its refined machined aluminum base combined with its towering frosted acrylic diffuser serves as the perfect combination for elegant lighting. Elise features full-range dimming capability to set the mood in any environment.

FIXTURE TYPE

Floor

LIGHT SOURCE

Elise 32/48/60:

(1) 3000K E26 base 60W PAR30 NSP halogen bulb: 1090lm

Elise 80:

(1) 3000K E26 base 70W PAR38 NSP halogen bulb: 1380lm

LIGHT CONTROL

Full range dim (in-line slide dimmer)

SPECIFICATIONS

Voltage: 120V or 240V

Cable length: 6' (182cm)

CERTIFICATIONS

UL listed components



FINISHES

ALUMINUM BASE



FROSTED WHITE/
SILVER



FROSTED WHITE/
BRASS



FROSTED WHITE/
BLACK

MARBLE BASE (Available only in 48/60/80 sizes)



FROSTED WHITE/
CARRARA WHITE



FROSTED WHITE/
MARQUINA BLACK

PRODUCT CODES

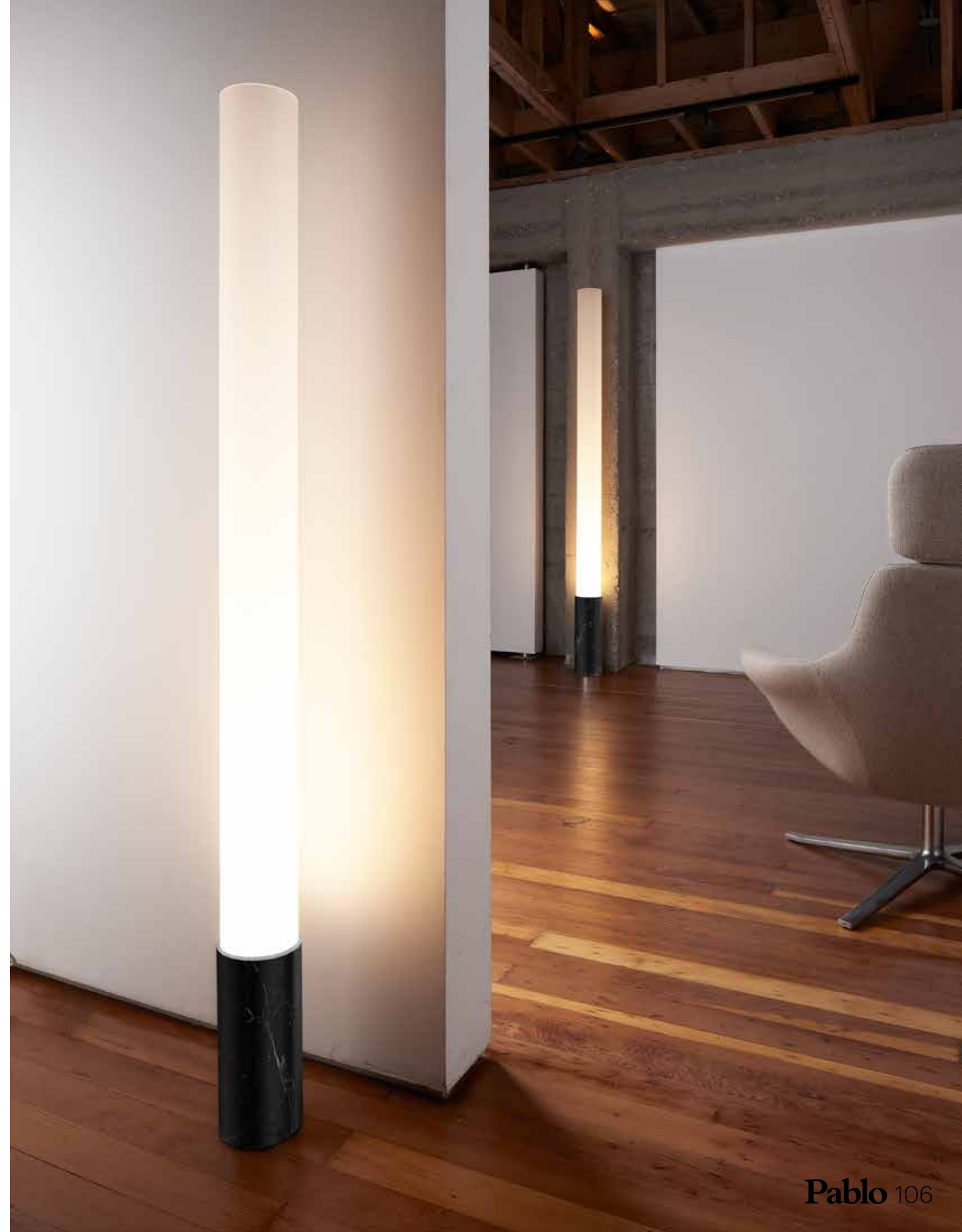
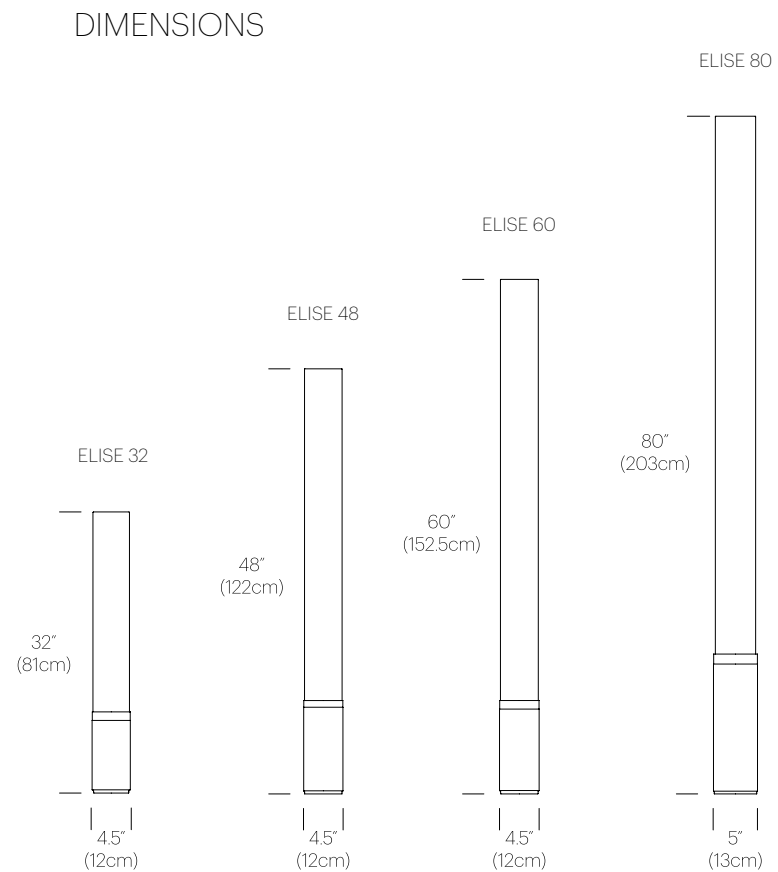
Elise 32 (Silver):	ELIS 32 SLV
Elise 32 (Black):	ELIS 32 BLK
Elise 32 (Brass):	ELIS 32 BRA
Elise 48 (Silver):	ELIS 48 SLV
Elise 48 (Black):	ELIS 48 BLK
Elise 48 (Brass):	ELIS 48 BRA
Elise 48 (White Marble):	ELIS 48 WMB
Elise 48 (Black Marble):	ELIS 48 BMB
Elise 60 (Silver):	ELIS 60 SLV
Elise 60 (Black):	ELIS 60 BLK
Elise 60 (Brass):	ELIS 60 BRA
Elise 60 (White Marble):	ELIS 60 WMB
Elise 60 (Black Marble):	ELIS 60 BMB
Elise 80 (Silver):	ELIS 80 SLV
Elise 80 (Black):	ELIS 80 BLK
Elise 80 (Brass):	ELIS 80 BRA
Elise 80 (White Marble):	ELIS 80 WMB
Elise 80 (Black Marble):	ELIS 80 BMB

PACKAGING WEIGHT AND DIMENSIONS

Elise 32:	8.95LBS	32.5" X 6" X 6"
	4.1KGS	83cm X 15cm X 15cm
Elise 48:	11.05LBS	53" X 6" X 6"
	5KGS	135cm X 15cm X 15cm
Elise 60:	12.2LBS	68" X 6" X 6"
	5.5KGS	173cm X 15cm X 15cm
Elise 80 Base:	13.1LBS	20" X 7" X 7"
	5.9KGS	51cm X 18cm X 18cm
Elise 80 Shade:	7.45LBS	68" X 6" X 6"
	3.4KGS	173cm X 15cm X 15cm

NOTES

Custom requests can be considered on volume orders



LANA

Inspired by a fusion of craft and advanced manufacturing, the Lana series is designed to adapt to any space. Lana is comprised of a unique magnetic felt shade that provides limitless attachment possibilities. The new collection debuts with a magnetic LED module which guarantees maximum freedom allowing the light to be attached to any ferrous surface bringing three distinct personalities: wall, table, and floor (with adjustable pedestal).

Designer:
Pablo Studios 2015

Awards:
[2015 IDEX Gold Innovation Award](#)



LANA TABLE

DESCRIPTION

Inspired by a fusion of craft and advanced manufacturing, the Lana series is designed to adapt to any space. Lana is comprised of a unique magnetic felt shade that provides limitless attachment possibilities. The new collection debuts with a magnetic LED module which guarantees maximum freedom allowing the light to be attached to any ferrous surface bringing three distinct personalities: wall, table, and floor (with adjustable pedestal).

FIXTURE TYPE

Table

LIGHT SOURCE

LED High-Output chip on board

LIGHT CONTROL

Full range dim control 100%-10% (optical switch)
2-stage step dim (100/40%)

FEATURES

360° shade rotation
Unlimited height adjustability
Magnetic attachment

SPECIFICATIONS

Voltage: 120-240V 50-60Hz
Power consumption: 5.5W
Color temperature: 3000K
Luminosity: 350 Lumens
Luminaire efficacy: 64 Lumens/Watt
Color Rendition Index: 90+ CRI
50K Hour lifespan
Cable length: 9' (274cm)

CERTIFICATIONS



PRODUCT CODES

Table MINI White Stone/Grey:	LANA MINI TBL STN/GRY WHT
Table MINI White Charcoal/Grey:	LANA MINI TBL CHR/GRY WHT
Table MINI White Arctic Blue/Grey:	LANA MINI TBL ARCT/GRY WHT
Table MINI White Moss/Grey:	LANA MINI TBL MOSS/GRY WHT
Table MINI White Plum/Grey:	LANA MINI TBL PLUM/GRY WHT

Table MINI Chrome Stone/Grey:	LANA MINI TBL STN/GRY CRM
Table MINI Chrome Charcoal/Grey:	LANA MINI TBL CHR/GRY CRM
Table MINI Chrome Arctic Blue/Grey:	LANA MINI TBL ARCT/GRY CRM
Table MINI Chrome Moss/Grey:	LANA MINI TBL MOSS/GRY CRM
Table MINI Chrome Plum/Grey:	LANA MINI TBL PLUM/GRY CRM

Table SM White Stone/Grey:	LANA SML TBL STN/GRY WHT
Table SM White Charcoal/Grey:	LANA SML TBL CHR/GRY WHT
Table SM White Arctic Blue/Grey:	LANA SML TBL ARCT/GRY WHT
Table SM White Moss/Grey:	LANA SML TBL MOSS/GRY WHT
Table SM White Plum/Grey:	LANA SML TBL PLUM/GRY WHT

Table SM Chrome Stone/Grey:	LANA SML TBL STN/GRY CRM
Table Chrome Charcoal/Grey:	LANA SML TBL CHR/GRY CRM
Table Chrome Arctic Blue/Grey:	LANA SML TBL ARCT/GRY CRM
Table Chrome Moss/Grey:	LANA SML TBL MOSS/GRY CRM
Table Chrome Plum/Grey:	LANA SML TBL PLUM/GRY CRM

Table LG White Stone/Grey:	LANA LRG TBL STN/GRY WHT
Table LG White Charcoal/Grey:	LANA LRG TBL CHR/GRY WHT
Table LG White Arctic Blue/Grey:	LANA LRG TBL ARCT/GRY WHT
Table LG White Moss/Grey:	LANA LRG TBL MOSS/GRY WHT
Table LG White Plum/Grey:	LANA LRG TBL PLUM/GRY WHT

Table LG Chrome Stone/Grey:	LANA LRG TBL STN/GRY CRM
Table LG Chrome Charcoal/Grey:	LANA LRG TBL CHR/GRY CRM
Table LG Chrome Arctic Blue/Grey:	LANA LRG TBL ARCT/GRY CRM
Table LG Chrome Moss/Grey:	LANA LRG TBL MOSS/GRY CRM
Table LG Chrome Plum/Grey:	LANA LRG TBL PLUM/GRY CRM

PACKAGING WEIGHT AND DIMENSIONS

Lana Table Mini:	5.8LBS	12" X 9.5" X 17"
	2.64KGS	30cm X 24cm X 52cm
Lana Table SM:	8.6LBS	12" X 9.5" X 17"
	4KGS	30cm X 24cm X 52cm
Lana Table LG:	10.9LBS	13.5" X 11" X 22"
	5KGS	34cm X 28cm X 56cm

NOTES

Custom requests can be considered on volume orders

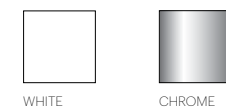


FINISHES

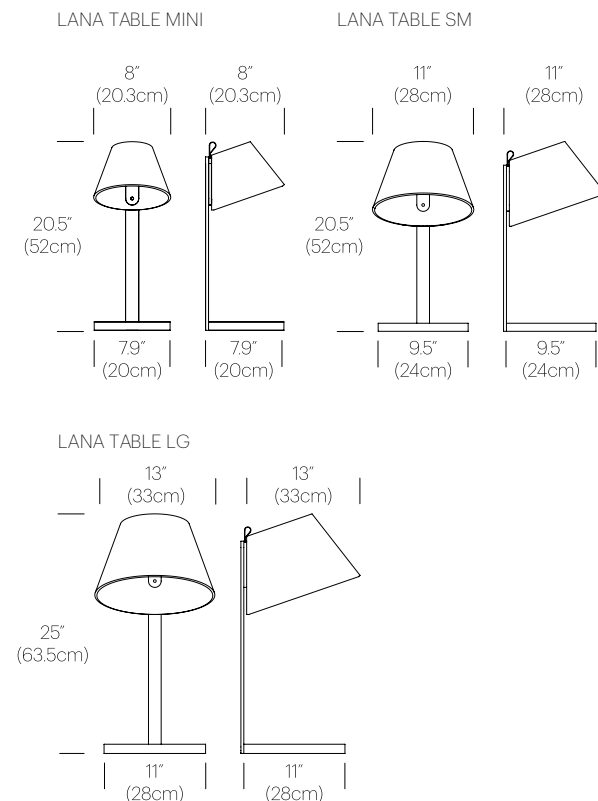
SHADE



BASE



DIMENSIONS



LANA FLOOR

DESCRIPTION

Inspired by a fusion of craft and advanced manufacturing, the Lana series is designed to adapt to any space. Lana is comprised of a unique magnetic felt shade that provides limitless attachment possibilities. The new collection debuts with a magnetic LED module which guarantees maximum freedom allowing the light to be attached to any ferrous surface bringing three distinct personalities: wall, table, and floor.

FIXTURE TYPE

Floor

LIGHT SOURCE

LED High-Output chip on board

LIGHT CONTROL

Full range dim control 100%-10% (optical switch)
2-stage step dim (100/40%)

FEATURES

360° shade rotation
Unlimited height adjustability
Magnetic attachment

SPECIFICATIONS

Voltage: 120-240V 50-60Hz
Power consumption: 5.5W
Color temperature: 3000K
Luminosity: 350 Lumens
Luminaire efficacy: 64 Lumens/Watt
Color Rendition Index: 90+ CRI
50K Hour lifespan
Cable length: 9' (274cm)
Patent pending

CERTIFICATIONS



FINISHES

SHADE



STONE/
GREY



CHARCOAL/
GREY



ARCTIC BLUE/
GREY



MOSS/
GREY



PLUM/
GREY

BASE



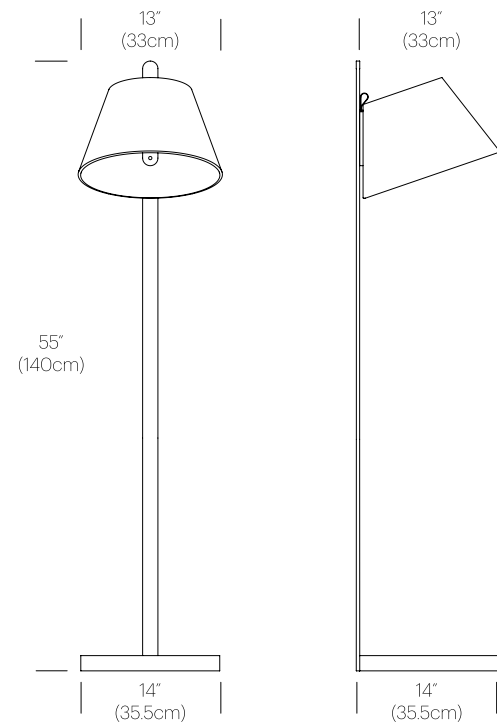
WHITE



CHROME

DIMENSIONS

LANA FLOOR



PRODUCT CODES

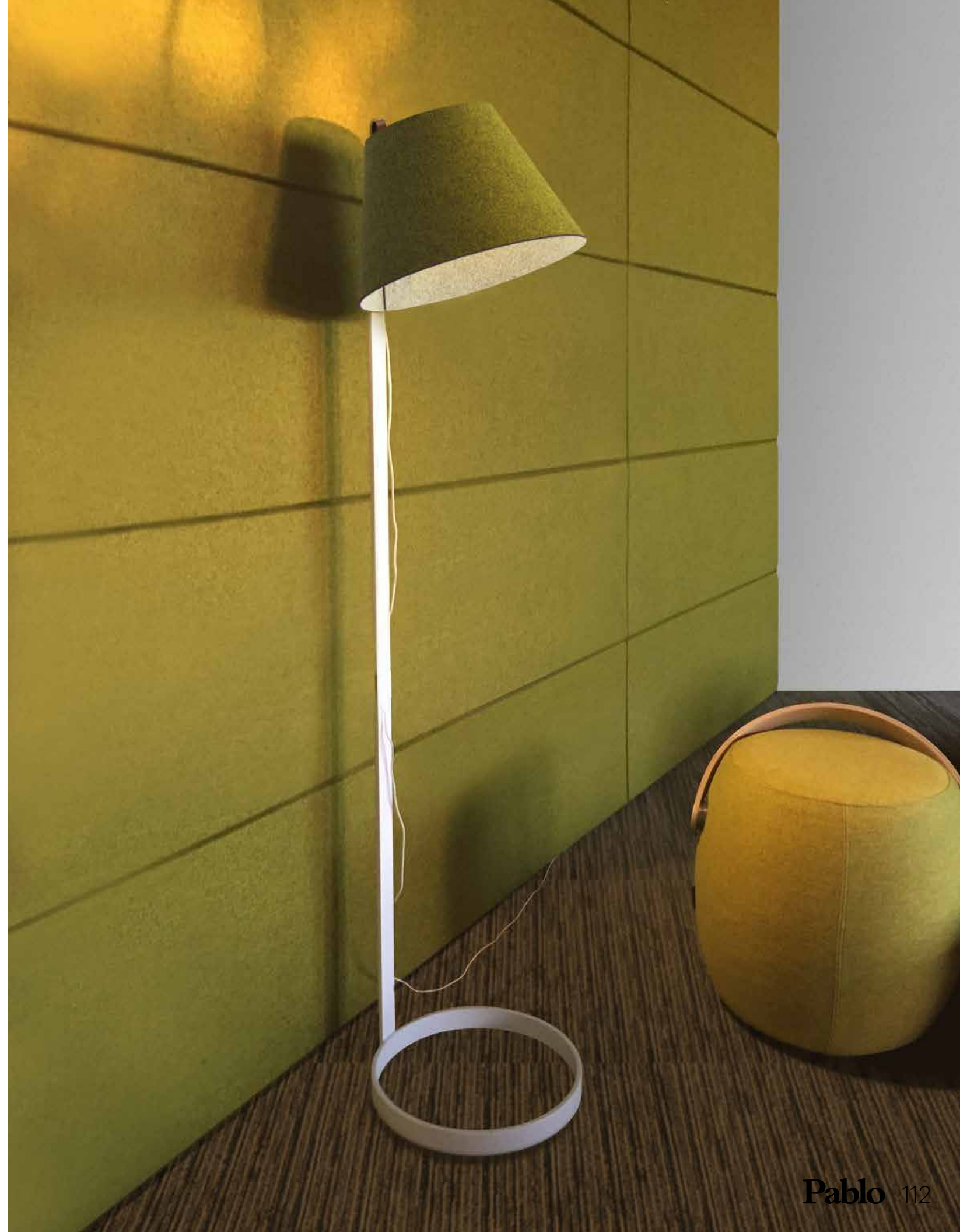
Floor White Stone/Grey:	LANA FLR STN/GRY WHT
Floor White Charcoal/Grey:	LANA FLR CHR/GRY WHT
Floor White Arctic Blue/Grey:	LANA FLR ARCT/GRY WHT
Floor White Moss/Grey:	LANA FLR MOSS/GRY WHT
Floor White Plum/Grey:	LANA FLR PLUM/GRY WHT
Floor Chrome Stone/Grey:	LANA FLR STN/GRY CRM
Floor Chrome Charcoal/Grey:	LANA FLR CHR/GRY CRM
Floor Chrome Arctic Blue/Grey:	LANA FLR ARCT/GRY CRM
Floor Chrome Moss/Grey:	LANA FLR MOSS/GRY CRM
Floor Chrome Plum/Grey:	LANA FLR PLUM/GRY CRM

PACKAGING WEIGHT AND DIMENSIONS

Lana Floor:	7LBS	14" X 14" X 55"
	3.2KGS	35.5cm X 35.5cm X 140cm

NOTES

Custom requests can be considered on volume orders



LANA WALL

DESCRIPTION

Inspired by a fusion of craft and advanced manufacturing, the Lana series is designed to adapt to any space. Lana is comprised of a unique magnetic felt shade that provides limitless attachment possibilities. The new collection debuts with a magnetic LED module which guarantees maximum freedom allowing the light to be attached to any ferrous surface bringing three distinct personalities: wall, table, and floor.

FIXTURE TYPE

Wall

LIGHT SOURCE

LED High-Output chip on board

LIGHT CONTROL

Full range dim control 100%-10% (optical switch)
2-stage step dim (100/40%)

FEATURES

360° shade rotation
Unlimited height adjustability
Magnetic attachment

SPECIFICATIONS

Voltage: 120-240V 50-60Hz
Power consumption: 5.5W
Color temperature: 3000K
Luminosity: 350 Lumens
Luminaire efficacy: 64 Lumens/Watt
Color Rendition Index: 90+ CRI
50K Hour lifespan
Cable length: 9' (274cm)
Patent pending

CERTIFICATIONS



FINISHES

SHADE

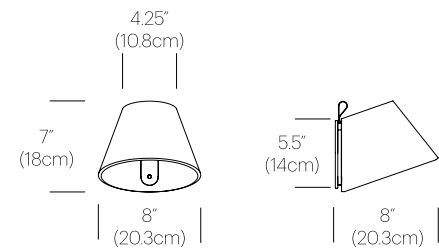


WALL PLATE

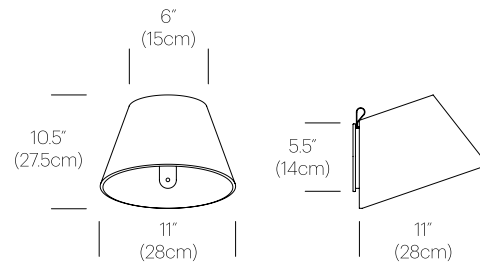


DIMENSIONS

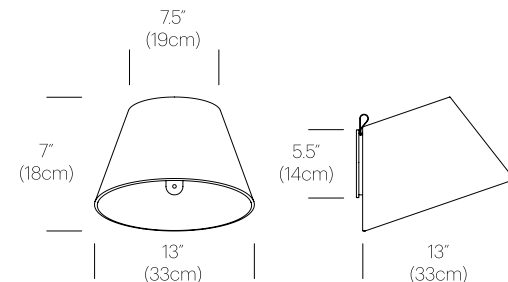
LANA WALL MINI



LANA WALL SM



LANA WALL LG



PRODUCT CODES

Wall MINI Stone/Grey:	LANA WALL MINI STN/GRY
Wall MINI Charcoal/Grey:	LANA WALL MINI CHR/GRY
Wall MINI Arctic Blue/Grey:	LANA WALL MINI ARCT/GRY
Wall MINI Moss/Grey:	LANA WALL MINI MOSS/GRY
Wall MINI Plum/Grey:	LANA WALL MINI PLUM/GRY

Wall SM Stone/Grey:	LANA WALL SML STN/GRY
Wall SM Charcoal/Grey:	LANA WALL SML CHR/GRY
Wall SM Arctic Blue/Grey:	LANA WALL SML ARCT/GRY
Wall SM Moss/Grey:	LANA WALL SML MOSS/GRY
Wall SM Plum/Grey:	LANA WALL SML PLUM/GRY

Wall LG Stone/Grey:	LANA WALL LRG STN/GRY
Wall LG Charcoal/Grey:	LANA WALL LRG CHR/GRY
Wall LG Arctic Blue/Grey:	LANA WALL LRG ARCT/GRY
Wall LG Moss/Grey:	LANA WALL LRG MOSS/GRY
Wall LG Plum/Grey:	LANA WALL LRG PLUM/GRY

PACKAGING WEIGHT AND DIMENSIONS

Lana Wall SM:	2.65LBS	11.5" X 11.5" X 7.5"
	3KGS	29cm X 29cm X 19cm
Lana Wall LG:	3.05LBS	13" X 13" X 8.5"
	3KGS	33cm X 33cm X 21.5cm

NOTES

Custom requests can be considered on volume orders



LIM360 | LIM

A study in reductionism, LIM is not so much a lamp as it is a conduit of light. Its minimalist form shapes a plane of illumination powered by an equally minimalist light source — a continuous array of high-output, energy-efficient LEDs discreetly concealed in its armature. Along with a slim, rotatable arm that enables the user to redirect the light, LIM employs a magnetic attachment system that makes it effortlessly portable and adjustable. LIM is available in up to five different form factors enabling tabletop, floor, and undersurface mount applications.

Designer:

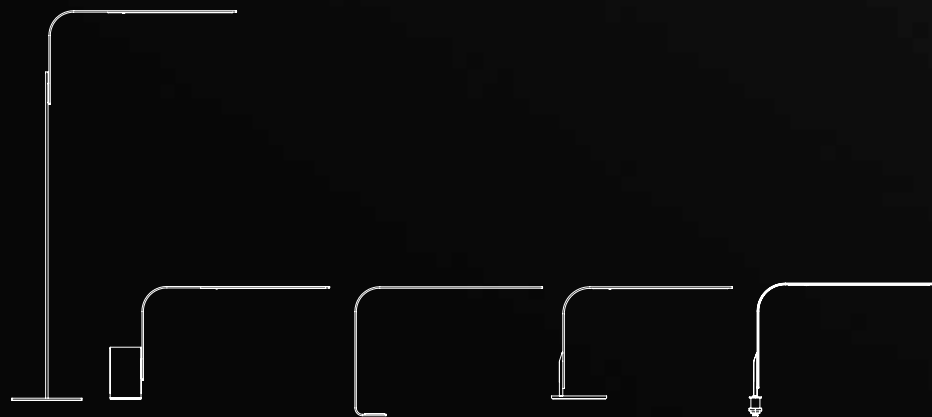
LIM: Pablo Pardo 2009

LIM360: Pablo Studio 2012

Awards:

2010 iF Product Design Award

2009 Best of Neocon Silver Award



LIM TABLE

DESCRIPTION

LIM is a revolutionary ultra-slim LED task light that is as fun to use as it is functional. LIM's "L" shaped arm discreetly conceals an array of high-output LEDs and utilizes a magnetic attachment system for effortless adjustment. LIM is available in four models: LIM table, LIM floor, LIM360 and LIM C under-surface.

FIXTURE TYPE

Table

LIGHT SOURCE

(91x) High-output LED array

LIGHT CONTROL

Full range dim control 100%-10% (optical switch)

FEATURES

- Magnetic attachment
- Advanced LED array eliminates multiple shadows
- Ships flat-packed
- OCC model available upon request

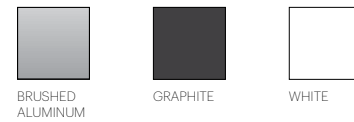
SPECIFICATIONS

- Voltage: 120-240V 50-60Hz
- Power consumption: 7W
- Color temperature: 3000K
- Luminosity: 325 Lumens
- Luminaire efficacy: 46 Lumens/Watt
- Color Rendition Index: 85 CRI
- 50K Hour lifespan
- Cable length: 10' (304cm)
- Global multi-plug adapter available

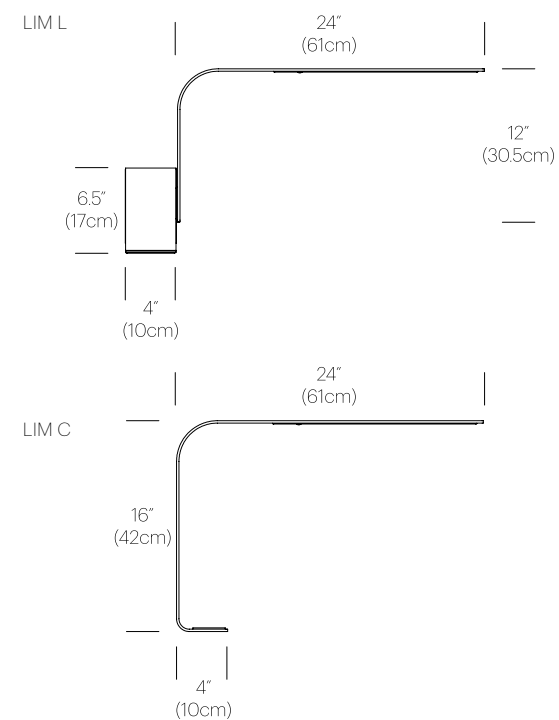
CERTIFICATIONS



FINISHES



DIMENSIONS



PRODUCT CODES

LIM L Table Brushed Silver:	LIM L TBL SLV BR
LIM L Table Black:	LIM L TBL BLK
LIM L Table White:	LIM L TBL WHT
LIM C Brushed Silver:	LIM C SLV
LIM C Black:	LIM C BLK
LIM C White:	LIM C WHT

PACKAGING WEIGHT AND DIMENSIONS

LIM:	8.95LBS	25.5" X 13.5" X 2.5"
	4.1KGS	65cm X 34cm X 6cm

NOTES

Occupancy sensor model available upon request
Custom requests can be considered on volume orders



LIM360 TABLE

DESCRIPTION

LIM360 is an inspiringly simple and intelligently functional task lamp. Combining seamless movement with the most advanced LED technology and an integrated USB port for charging mobile devices, LIM360 brings thoughtful design to the forefront. Available in a range of sophisticated neutrals and expressive colors, LIM360 will elevate any environment.

FIXTURE TYPE

Table

LIGHT SOURCE

(91x) High-output LED array

LIGHT CONTROL

Full range dim control 100%-10% (optical switch)

FEATURES

- 360° arm rotation
- Advanced LED array eliminates multiple shadow
- USB-A charging port
- Ships flat-packed
- Removable insert
- OCC model available upon request

SPECIFICATIONS

- Voltage: 120-240V 50-60Hz
- Power consumption: 7W
- Color temperature: 3000K
- Luminosity: 325 Lumens
- Luminaire efficacy: 46 Lumens/Watt
- Color Rendition Index: 85 CRI
- 50K Hour lifespan
- Cable length: 10' (304cm)
- Global multi-plug adapter available

CERTIFICATIONS



PRODUCT CODES

LIM 360 Aluminum/Silver:	LIM 360 ALU/SLV OPT
LIM 360 Aluminum/Walnut:	LIM 360 ALU/WAL OPT
LIM 360 Naranja/Walnut:	LIM 360 ORG/WAL OPT
LIM 360 White/Walnut:	LIM 360 WHT/WAL OPT
LIM 360 White/Silver:	LIM 360 WHT/SLV OPT
LIM 360 Black/Black:	LIM 360 BLK/BLK OPT
LIM 360 Black/Walnut:	LIM 360 BLK/WAL OPT
LIM 360 Brass/Brass:	LIM 360 BRA/BRA OPT
LIM 360 Copper/Copper:	LIM 360 COP/COP OPT
LIM 360 Surface Mount:	Special Order only

PACKAGING WEIGHT AND DIMENSIONS

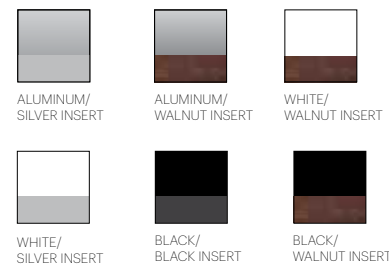
LIM360:	4.9LBS	25.5" X 10" X 2.5"
	2.2KGS	65cm X 25cm X 6cm

NOTES

Occupancy sensor model available upon request
Custom requests can be considered on volume orders

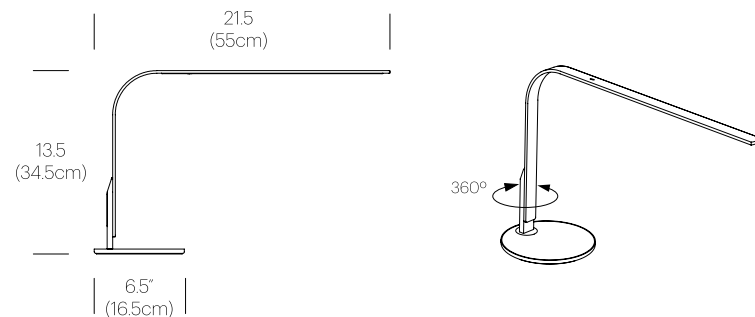


FINISHES

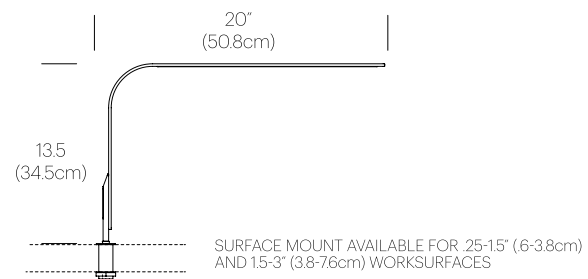


DIMENSIONS

LIM 360 TABLE



LIM 360 SURFACE MOUNT



LIM FLOOR

DESCRIPTION

LIM is a revolutionary ultra-slim LED task light that is as fun to use as it is functional. LIM's "L" shaped arm discreetly conceals an array of high-output LEDs and utilizes a magnetic attachment system for effortless adjustment. LIM is available in four models: LIM table, LIM floor, LIM360 and LIM C under-surface.

FIXTURE TYPE

Floor

LIGHT SOURCE

(91x) High-output LED array

LIGHT CONTROL

Full range dim control 100%-10% (optical switch)

FEATURES

Magnetic attachment
Advanced LED array eliminates multiple shadows
Ships flat-packed
OCC model available upon request

SPECIFICATIONS

Voltage: 120-240V 50-60Hz
Power consumption: 7W
Color temperature: 3000K
Luminosity: 325 Lumens
Luminaire efficacy: 46 Lumens/Watt
Color Rendition Index: 85 CRI
50K Hour lifespan
Cable length: 10' (304cm)
Global multi-plug adapter available

CERTIFICATIONS



PRODUCT CODES

LIM L Floor Brushed Silver:	LIM L FLR SLV BR OPT
LIM L Floor Black:	LIM L FLR BLK OPT
LIM L Floor White:	LIM L FLR WHT OPT
LIM L (arm only) Brushed Silver:	LIM L ARM SLV OPT
LIM L (arm only) Black:	LIM L ARM BLK OPT
LIM L (arm only) White:	LIM L ARM WHT OPT

PACKAGING WEIGHT AND DIMENSIONS

LIM Floor:	12.85LBS	45" X 13.5" X 2.5"
	5.8KGS	114cm X 34cm X 6cm

NOTES

Occupancy sensor model available upon request
Custom requests can be considered on volume orders

121 **Pablo**



FINISHES



BRUSHED ALUMINUM



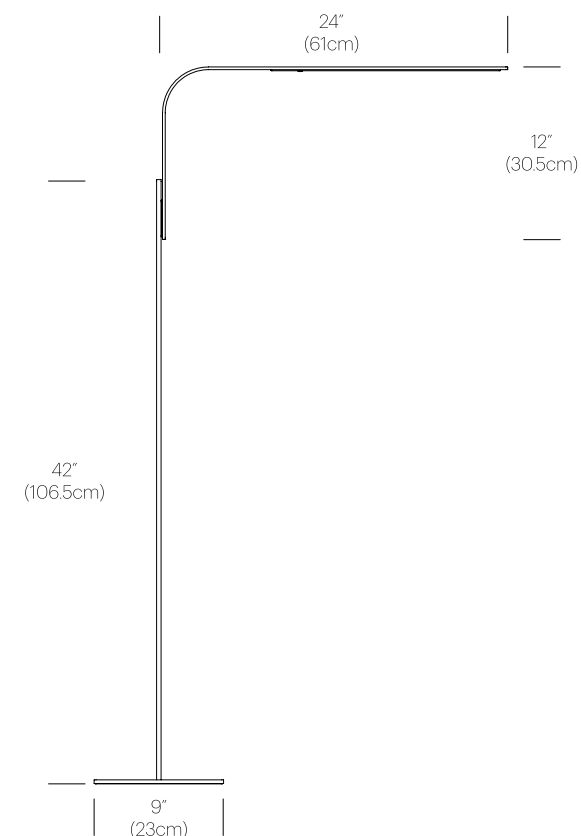
GRAPHITE



WHITE

DIMENSIONS

LIM FLOOR



Pablo 122

LINK

Link modernizes the classic pantograph task lamp, incorporating the most advanced LED lighting technology to date. Designed with a dual-purpose shade/handle, Link seamlessly balances performance and style to satisfy focused lighting needs in any environment. The wide range of Link models include medium and small table, floor, clamp, and wall mount options to accommodate all residential, office, and hospitality task lighting applications.

Designer:
Peter Stathis 2008/2009

Awards:
2009 IDEA Silver Award
2009 I.D Annual Design Review Honoree
2009 Spark Design Award
2008 ICFF Editor's Choice Award



LINK TABLE

DESCRIPTION

Link modernizes the classic pantograph task lamp, incorporating the most advanced LED lighting technology to date. Designed with a dual-purpose shade/handle, Link seamlessly balances performance and style to satisfy focused lighting needs in any environment. The wide range of Link models include medium and small table, floor, clamp, and wall mount options to accommodate all residential, office, and hospitality task lighting applications.

FIXTURE TYPE

Table

LIGHT SOURCE

(99x) High-output LED array

LIGHT CONTROL

Rocker switch (high, low, off)

FEATURES

360° rotation at base
 Full-range height adjustability
 180° front to back head tilt
 Advanced LED array eliminates multiple shadows
 Ships flat-packed
 OCC model available upon request

SPECIFICATIONS

Voltage: 120-240V 50-60Hz
 Power Consumption: 7.5W
 Color Temperature: 3000K
 Luminosity: 350 Lumens
 Luminaire efficacy: 47 Lumens/Watt
 Color Rendition Index: 90 CRI
 50K hour lifespan
 Cable length: 8' (244cm)
 Global multi-plug adapter available

CERTIFICATIONS



PRODUCT CODES

Link Medium Table (Silver):	LINK MED TBL SLV
Link Medium Table (White):	LINK MED TBL WHT
Link Medium Table (Black):	LINK MED TBL BLK

Link Small Table (Silver):	LINK SML TBL SLV
Link Small Table (White):	LINK SML TBL WHT
Link Small Table (Black):	LINK SML TBL BLK

Link USB (White)	LINK USB
Link Small Surface Mount:	Special order only
Link Medium Surface Mount:	Special order only

PACKAGING WEIGHT AND DIMENSIONS

Link Small:	3.05LBS	33" X 6.5" X 4.5"
	1.4KGS	84cm X 17cm X 11cm
Link Medium:	3.25LBS	33" X 6.5" X 4.5"
	1.5KGS	84cm X 17cm X 11cm
Link Table Base:	7.65LBS	12.5" X 12" X 4"
	3.5KGS	32cm X 30cm X 10cm

NOTES

Occupancy sensor model available upon request
 Custom requests can be considered on volume orders
 Link USB sold separately



FINISHES



WHITE



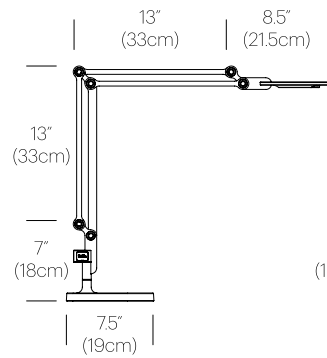
BLACK



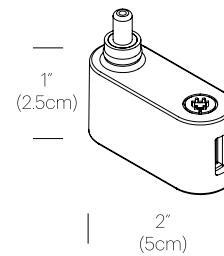
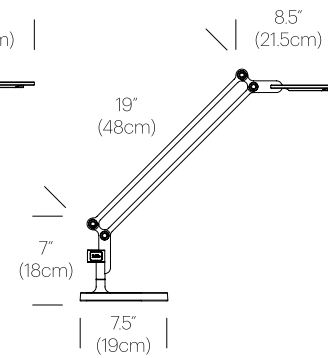
SILVER

DIMENSIONS

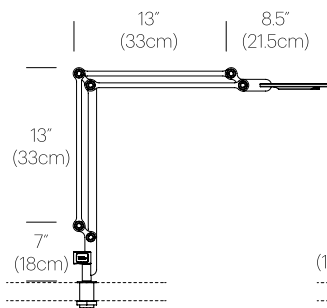
LINK MEDIUM TABLE



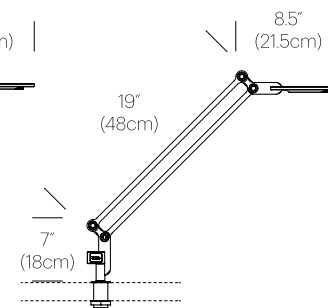
LINK SMALL TABLE



LINK MEDIUM SURFACE MOUNT



LINK SMALL SURFACE MOUNT



SURFACE MOUNT AVAILABLE FOR 2-12" (5-3cm)
 AND 1.2-3" (3-7.6cm) WORKSURFACES



LINK CLAMP

DESCRIPTION

Link modernizes the classic pantograph task lamp, incorporating the most advanced LED lighting technology to date. Designed with a dual-purpose shade/handle, Link seamlessly balances performance and style to satisfy focused lighting needs in any environment. The wide range of Link models include medium and small table, floor, clamp, and wall mount options to accommodate all residential, office, and hospitality task lighting applications.

FIXTURE TYPE

Table

LIGHT SOURCE

(99x) High-output LED array

LIGHT CONTROL

Rocker switch (high, low, off)

FEATURES

- 360° rotation at base
- Full-range height adjustability
- 180° front to back head tilt
- Advanced LED array eliminates multiple shadows
- Hi-low dim control
- Ships flat-packed
- OCC model available upon request

SPECIFICATIONS

- Voltage: 120-240V 50-60Hz
- Power Consumption: 7.5W
- Color Temperature: 3000K
- Luminosity: 350 Lumens
- Luminaire efficacy: 47 Lumens/Watt
- Color Rendition Index: 90 CRI
- 50K hour lifespan
- Cable length: 8' (244cm)
- Global multi-plug adapter available

CERTIFICATIONS



PRODUCT CODES

Link Medium Clamp (Silver):	LINK MED CLP SLV
Link Medium Clamp (White):	LINK MED CLP WHT
Link Medium Clamp (Black):	LINK MED CLP BLK
Link Small Clamp (Silver):	LINK SML CLP SLV
Link Small Clamp (White):	LINK SML CLP WHT
Link Small Clamp (Black):	LINK SML CLP BLK
Link USB (White):	LINK USB
Link Small Surface Mount:	Special order only
Link Medium Surface Mount:	Special order only

PACKAGING WEIGHT AND DIMENSIONS

Link Clamp Small:	3.4LBS	33.5" X 7" X 4.5"
	1.5KGS	85cm X 18cm X 11cm
Link Clamp Medium:	3.6LBS	33" X 6.5" X 4.5"
	1.6KGS	84cm X 17cm X 11cm

NOTES

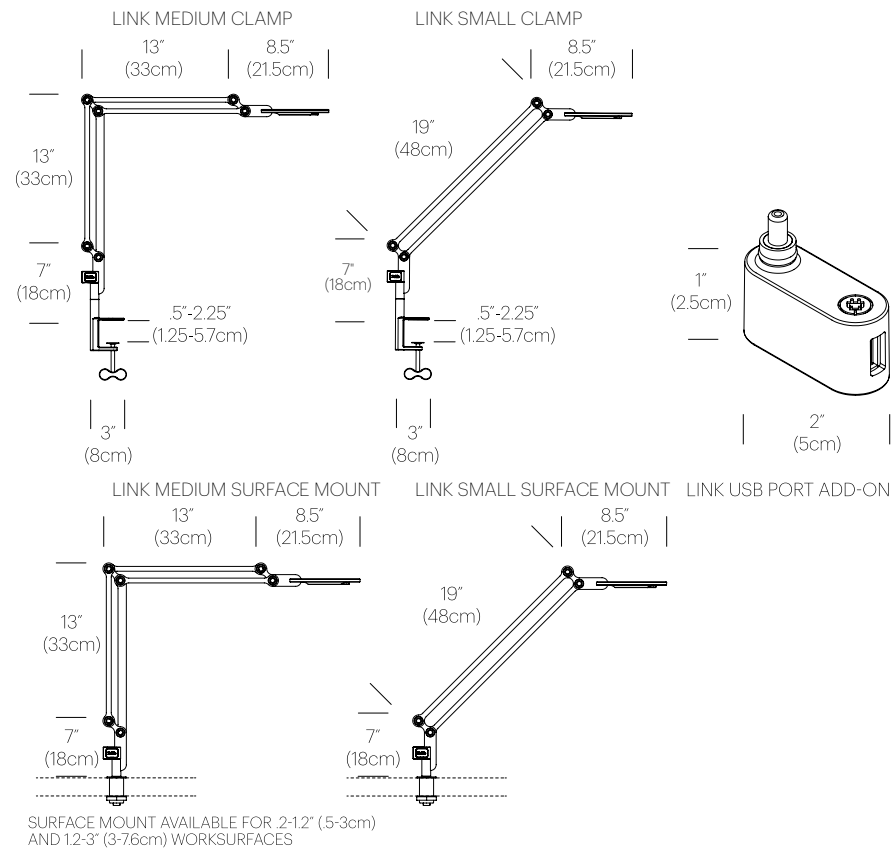
Occupancy sensor model available upon request
 Custom requests can be considered on volume orders
 Link USB sold separately



FINISHES



DIMENSIONS



LINK FLOOR

DESCRIPTION

Link modernizes the classic pantograph task lamp, incorporating the most advanced LED lighting technology to date. Designed with a dual-purpose shade/handle, Link seamlessly balances performance and style to satisfy focused lighting needs in any environment. The wide range of Link models include medium and small table, floor, clamp, and wall mount options to accommodate all residential, office, and hospitality task lighting applications.

FIXTURE TYPE

Floor

LIGHT SOURCE

(99x) High-output LED array

LIGHT CONTROL

Rocker switch (high, low, off)

FEATURES

- 360° rotation at base
- Full-range height adjustability
- 180° front to back head tilt
- Advanced LED array eliminates multiple shadows
- Ships flat-packed
- OCC model available upon request

SPECIFICATIONS

- Voltage: 120-240V 50-60Hz
- Power Consumption: 7.5W
- Color Temperature: 3000K
- Luminosity: 350 Lumens
- Luminaire efficacy: 47 Lumens/Watt
- Color Rendition Index: 90 CRI
- 50K hour lifespan
- Cable length: 8' (244cm)
- Global multi-plug adapter available

CERTIFICATIONS



FINISHES



WHITE



BLACK

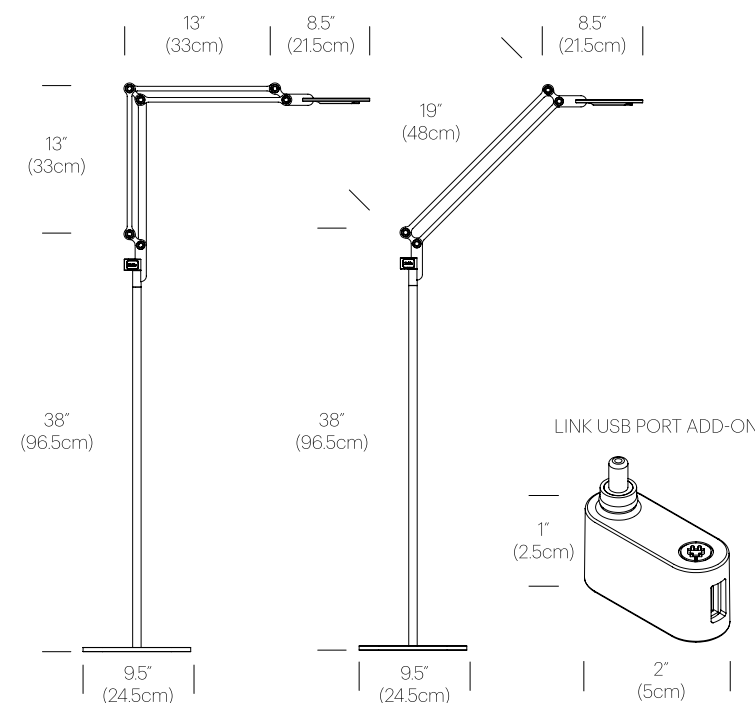


SILVER

DIMENSIONS

LINK MEDIUM FLOOR

LINK SMALL FLOOR



PRODUCT CODES

Link Medium Floor (Silver):	LINK MED FLR SLV
Link Medium Floor (White):	LINK MED FLR WHT
Link Medium Floor (Black):	LINK MED FLR BLK
Link Small Floor (Silver):	LINK SML FLR SLV
Link Small Floor (White):	LINK SML FLR WHT
Link Small Floor (Black):	LINK SML FLR BLK
Link USB (White):	LINK USB

PACKAGING WEIGHT AND DIMENSIONS

Link Small:	3.05LBS 1.4KGS	33" X 6.5" X 4.5" 84cm X 17cm X 11cm
Link Medium:	3.25LBS 1.5KGS	33" X 6.5" X 4.5" 84cm X 17cm X 11cm
Link Floor Base:	10.1LBS 4.6KGS	12.5" X 12" X 1.5" 32cm X 30cm X 4cm

NOTES

Occupancy sensor model available upon request
Custom requests can be considered on volume orders



LINK WALL

DESCRIPTION

Link modernizes the classic pantograph task lamp, incorporating the most advanced LED lighting technology to date. Designed with a dual-purpose shade/handle, Link seamlessly balances performance and style to satisfy focused lighting needs in any environment. The wide range of Link models include medium and small table, floor, clamp, and wall mount options to accommodate all residential, office, and hospitality task lighting applications.

FIXTURE TYPE

Wall

LIGHT SOURCE

(99x) High-output LED array

LIGHT CONTROL

Rocker switch (high, low, off)

FEATURES

- 180° rotation at base
- Full-range height adjustability
- 180° front to back head tilt
- Advanced LED array eliminates multiple shadows
- Ships flat-packed
- OCC model available upon request

SPECIFICATIONS

- Voltage: 120-240V 50-60Hz
- Power Consumption: 7.5W
- Color Temperature: 3000K
- Luminosity: 350 Lumens
- Luminaire efficacy: 47 Lumens/Watt
- Color Rendition Index: 90 CRI
- 50K hour lifespan
- Cable length: 8' (244cm)
- Global multi-plug adapter available

CERTIFICATIONS



PRODUCT CODES

Link Medium Wall (Silver):	LINK MED WAL SLV
Link Medium Wall (White):	LINK MED WAL WHT
Link Medium Wall (Black):	LINK MED WAL BLK
Link Small Wall (Silver):	LINK SML WAL SLV
Link Small Wall (White):	LINK SML WAL WHT
Link Small Wall (Black):	LINK SML WAL BLK
Link USB (White):	LINK USB

PACKAGING WEIGHT AND DIMENSIONS

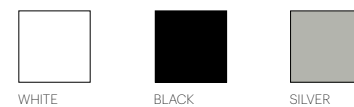
Link Wall Small:	3.4LBS	33.5" X 7" X 4.5"
	1.5KGS	85cm X 18cm X 11cm
Link Wall Medium:	3.6LBS	33" X 6.5" X 4.5"
	1.6KGS	84cm X 17cm X 11cm

NOTES

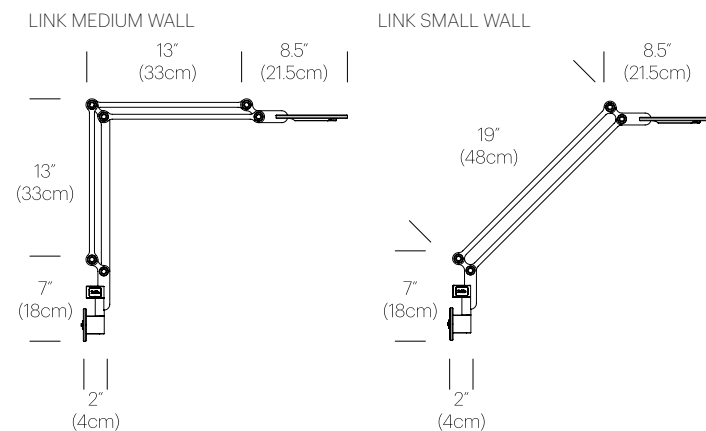
Occupancy sensor model available upon request
 Custom requests can be considered on volume orders
 Link USB sold separately



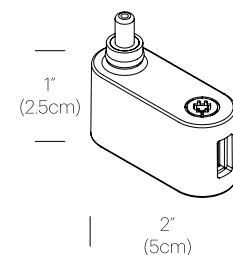
FINISHES



DIMENSIONS



LINK USB PORT ADD-ON



LUCI

Luci is a fully rechargeable portable luminaire that allows you to take your ambiance wherever you go indoors and out. Defined by its simplicity of form and high tactile feel, Luci features an all-machined aluminum body that's premium to the touch and brings elegance to any intimate moment or social gathering. Representing the future of illumination, Luci features state of the art Warm Dim light technology with 3 preset light level plus full range dimming which are activated via optical switch atop the shade. Luci also boasts a best-in-class battery life to provide many hours of untethered illumination between charges. Available in both table and floor standing models, Luci is offered in three anodized machine trace finishes in Silver, Brass, Black and textured Matte White.

Designer:
Pablo Pardo + Pablo Studio 2021



LUCI TABLE

DESCRIPTION

Luci is a fully rechargeable portable luminaire that allows you to take your ambiance wherever you go indoors and out. Defined by its simplicity of form and high tactile feel, Luci features an all-machined aluminum body that's premium to the touch and brings elegance to any intimate moment or social gathering. Representing the future of illumination, Luci features state of the art Dim to Warm light technology with 3 preset light level plus full range dimming which are activated via optical switch atop the shade. Luci also boasts a best-in-class battery life to provide many hours of untethered illumination between charges. Luci Table is recharged via USB-C charging port located on the base. Available in both table and floor standing models, Luci is offered in three anodized machine trace finishes in Silver, Brass, Black and textured Matte White.

FIXTURE TYPE

Table

LIGHT SOURCE

Flat Panel LED

LIGHT CONTROL

Optical switch

Full range dimming (100-10%)

3-stage dimming (100/40/10%)

FEATURES

Portable and rechargeable

24-230 hr Battery life

USB-C charging cable included

SPECIFICATIONS

Power Consumption: 2.1W

Color Temperature: 2700K - 2200K (Warm dim)

Luminosity: 150 Lumens

Luminaire efficacy: 72 Lumens/Watt

Color Rendition Index: 90+ CRI

Cable Length: 6' (182cm)(included)

6 hr charge time (using 10W power block, not included)

IP54 damp rated

CERTIFICATIONS



PRODUCT CODES

Luci Table Black :	LUCI TBL BLK
Luci Table Brass:	LUCI TBL BRA
Luci Table Silver:	LUCI TBL SLV
Luci Table White:	LUCI TBL WHT

PACKAGING WEIGHTS AND DIMENSIONS

Luci Table:	2.5LBS	5.5" X 5.5" X 11.5"
	1.1KG	14cm X 14cm X 30cm

NOTES

Custom requests can be considered on volume orders



FINISHES

LUCI TABLE



BLACK



WHITE



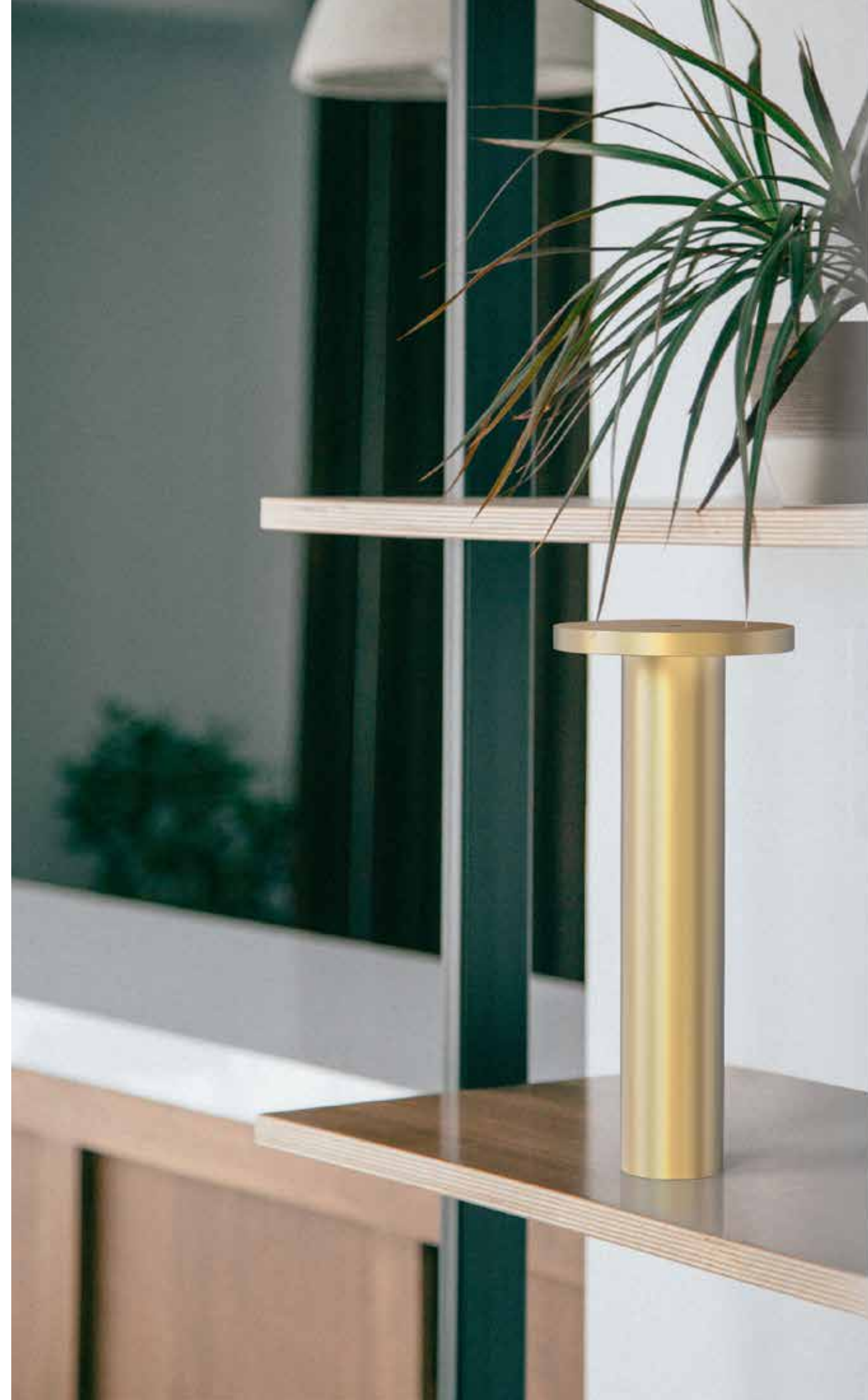
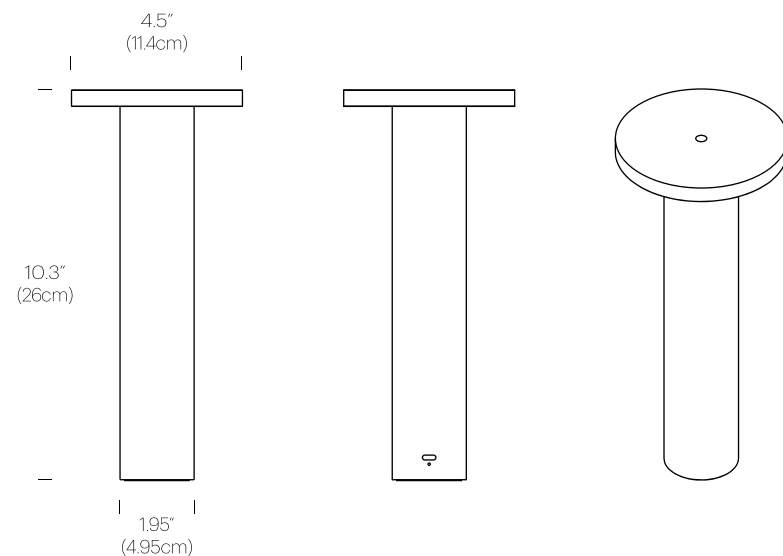
SILVER



BRASS

DIMENSIONS

LUCI TABLE



LUCI FLOOR

DESCRIPTION

Luci is a fully rechargeable portable luminaire that allows you to take your ambiance wherever you go indoors and out. Defined by its simplicity of form and high tactile feel, Luci features an all-machined aluminum body that's premium to the touch and brings elegance to any intimate moment or social gathering. Representing the future of illumination, Luci features state of the art Warm Dim light technology with 3 preset light level plus full range dimming which are activated via optical switch atop the shade. Luci also boasts a best-in-class battery life to provide many hours of untethered illumination between charges. Available in both table and floor standing models, Luci is offered in three anodized machine trace finishes in Silver, Brass, Black and textured Matte White.

FIXTURE TYPE

Floor

LIGHT SOURCE

Flat panel LED

LIGHT CONTROL

Optical switch

Full range dimming (100-10%)

3-stage dimming (100/40/10%)

FEATURES

Portable and rechargeable

11-110 hr Battery life

SPECIFICATIONS

Voltage: 120-240V 50/60Hz

Power Consumption: 5.3W

Color Temperature: 2700K-2200K (warm dim)

Luminosity: 350 Lumens

Luminaire efficacy: 66 Lumens/Watt

Color Rendition Index: 90+ CRI

Cable Length: 9'(2.7m)

5 hr charge time (using included 24W power block)

IP54 damp rated

CERTIFICATIONS



PRODUCT CODES

Luci Floor Black:	LUCI FLR BLK
Luci Floor Brass:	LUCI FLR BRA
Luci Floor Silver:	LUCI FLR SLV
Luci Floor White:	LUCI FLR WHT

PACKAGING WEIGHTS AND DIMENSIONS

Luci Floor:	9LBS	11" X 23" X 3"
	4KG	28cm X 58cm X 7.6cm

NOTES

Custom requests can be considered on volume orders



FINISHES

LUCI FLOOR



WHITE



BLACK



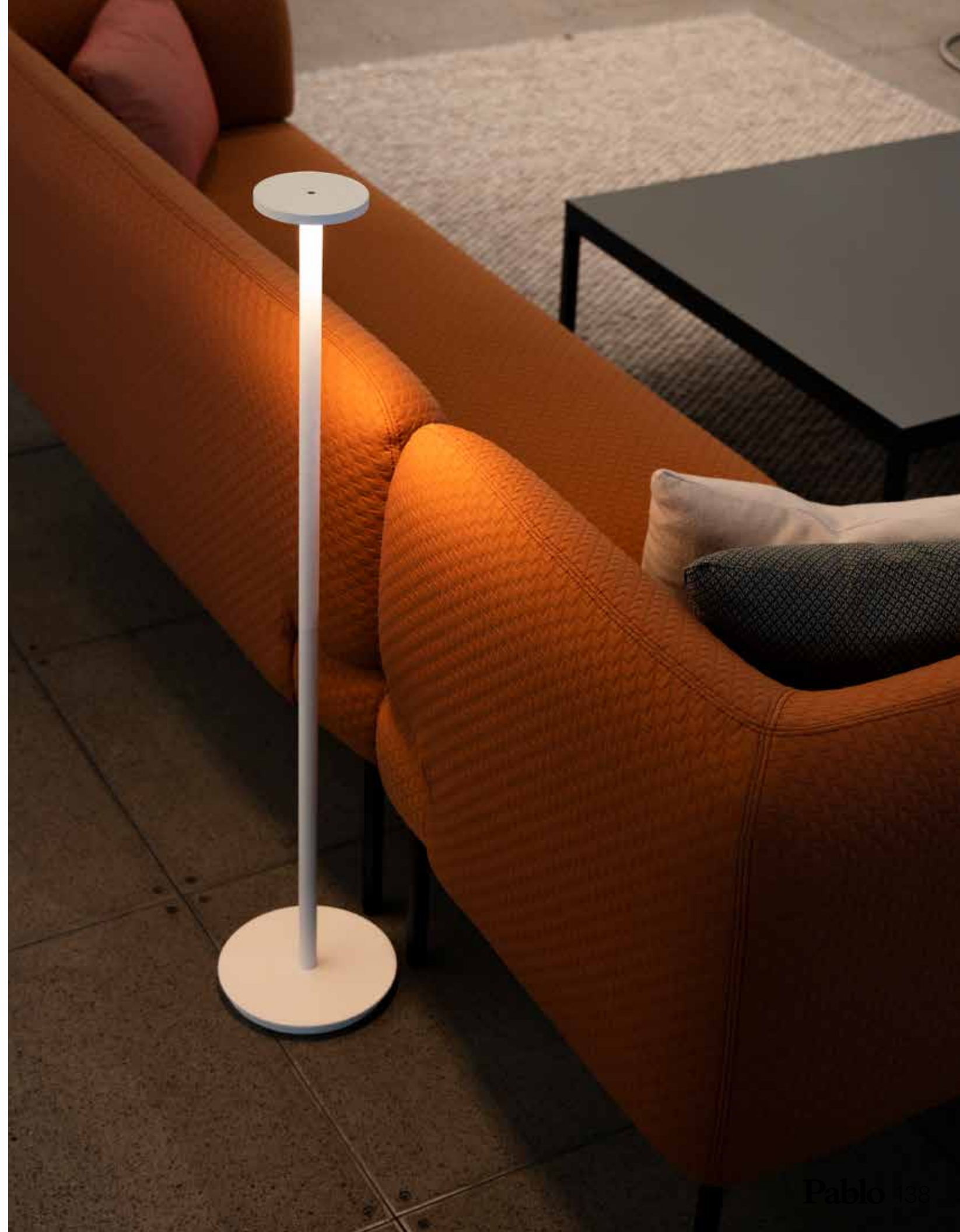
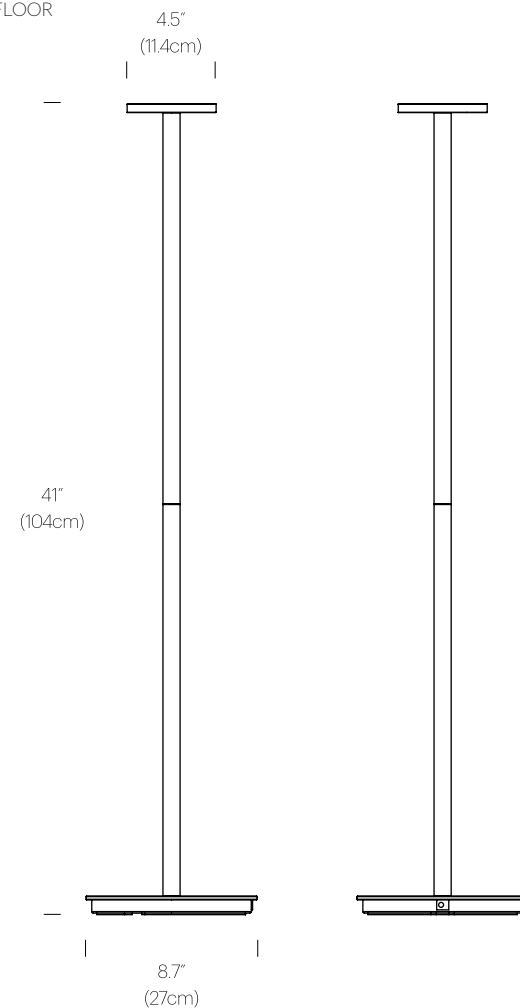
BRASS



SILVER

DIMENSIONS

LUCI FLOOR

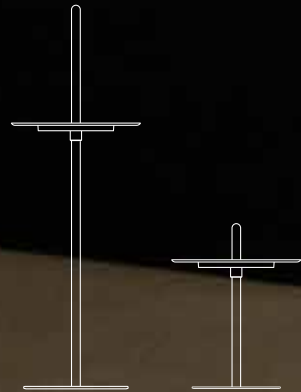




NIVÉL PEDESTAL

At the intersection of functional lighting and furniture, you find Nivel. As an adjustable height side table, Nivel provides a totem to gather around. Portable and rechargeable, Nivel enables users to bring light to areas not serviced by power outlets. Sturdy enough to rest a few beverages atop while nimble enough to be raised or lowered at a moment's notice. Its cleverly designed light module rests securely fastened around a solid wood post fastened to a powder-coated steel base for added footing. A soft ambient downward facing light panel completes the package, bringing an unobtrusive light source to your home or office space. The post is offered in both solid oak and walnut and can be paired with a powder-coated tray in white, terracotta, and black.

Designer:
Pablo Pardo + Pablo Studio 2022



NIVÉL PEDESTAL SM & LG

DESCRIPTION

At the intersection of functional lighting and furniture, you find Nivel. As an adjustable height side table, Nivel provides a totem to gather around. Portable and rechargeable, Nivel enables users to bring light to areas not serviced by power outlets. Sturdy enough to rest a few beverages atop while nimble enough to be raised or lowered at a moment's notice. Its cleverly designed light module rests securely fastened around a solid wood post fastened to a powder-coated steel base for added footing. A soft ambient downward facing light panel completes the package, bringing an unobtrusive light source to your home or office space. The post is offered in both solid oak and walnut and can be paired with a powder-coated tray in white, terracotta, and black.

FIXTURE TYPE

Floor

LIGHT SOURCE

Flat Panel LED

LIGHT CONTROL

Capacitive touch switch (3-stage dimming: 100/40/5%)

FEATURES

Portable and rechargeable
Adjustable height tray surface
USB-C charging port
8-160 hr Battery life

SPECIFICATIONS

Voltage: 120-240V 50/60Hz
Power Consumption: 6W
Color Temperature: 2700-2200K (warm dim)
Luminosity: 350 Lumens
Luminaire Efficacy: 58 Lumens/Watt
Color Rendition Index: 95 CRI
Cord length 9' (2.7m)
8 hr charge time (using included 10W power plug)
IP54 damp rated

CERTIFICATIONS



PRODUCT CODES

Nivel Pedestal Small(Oak/Black):	NIVE PED SML OAK BLK
Nivel Pedestal Small(Oak/Terracotta):	NIVE PED SML OAK TER
Nivel Pedestal Small(Oak/White):	NIVE PED SML OAK WHT
Nivel Pedestal Small(Walnut/Black):	NIVE PED SML WAL BLK
Nivel Pedestal Small(Walnut/Terracotta):	NIVE PED SML WAL TER
Nivel Pedestal Small(Walnut/White):	NIVE PED SML WAL WHT
Nivel Pedestal Large(Oak/Black):	NIVE PED LRG OAK BLK
Nivel Pedestal Large(Oak/Terracotta):	NIVE PED LRG OAK TER
Nivel Pedestal Large(Oak/White):	NIVE PED LRG OAK WHT
Nivel Pedestal Large(Walnut/Black):	NIVE PED LRG WAL BLK
Nivel Pedestal Large(Walnut/Terracotta):	NIVE PED LRG WAL TER
Nivel Pedestal Large(Walnut/White):	NIVE PED LRG WAL WHT

PACKAGING WEIGHTS AND DIMENSIONS

Item	Weight	Dimensions
Nivel Pedestal SM	4.5LBS	17" X 18" X 5.25"
	2KG	43cm X 46cm X 13cm
Nivel Pedestal LG	1.5LBS	2" X 2" X 50"
(Post)	.7KG	5cm X 5cm X 127cm
Nivel Pedestal LG	4.5LBS	17" X 18" X 5.25"
(Lamp, base and tray)	2KG	43cm X 46cm X 13cm

NOTES

Custom requests can be considered on volume orders
Global plug adapters available upon request



FINISHES

POST



OAK



WALNUT

TRAY



WHITE



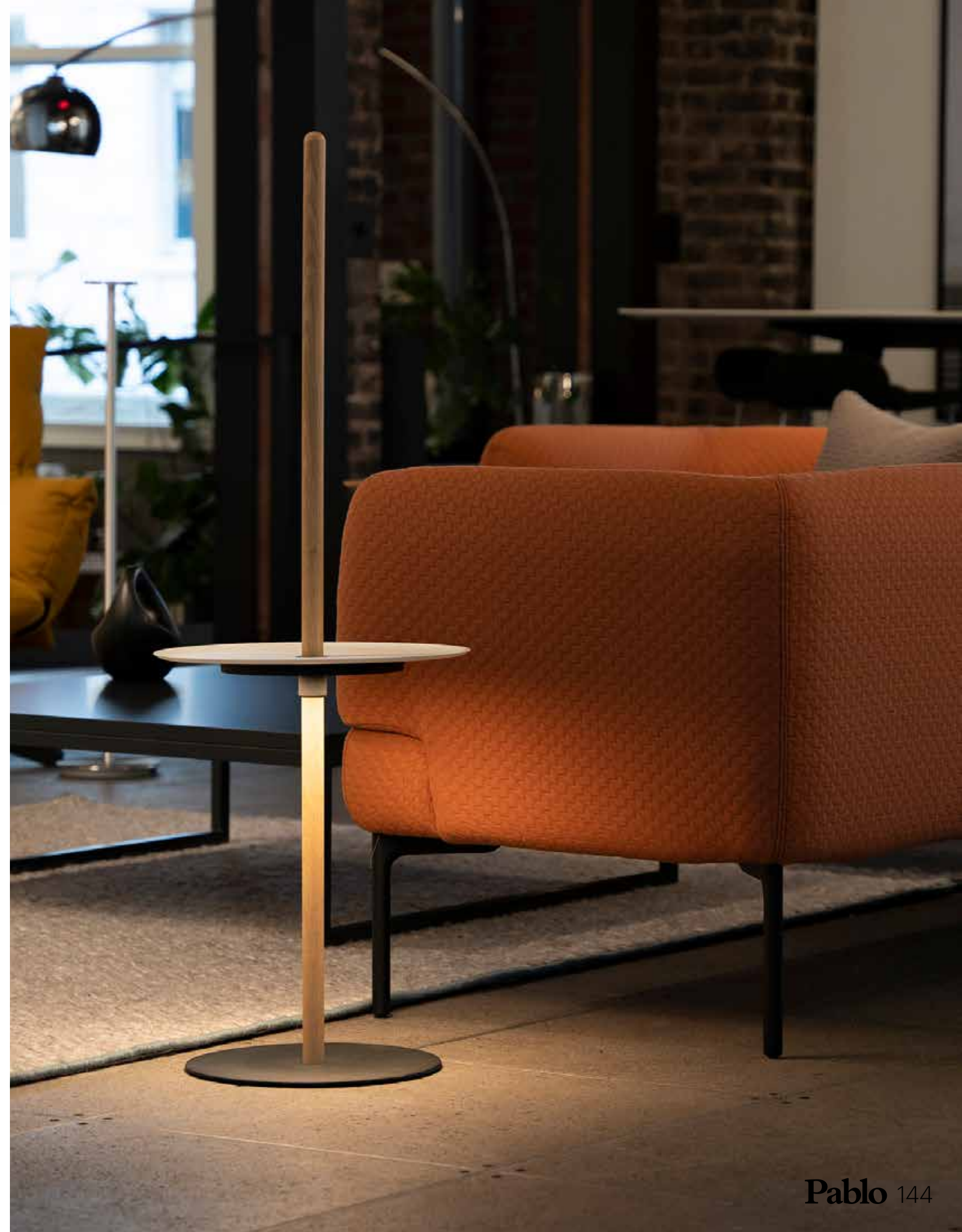
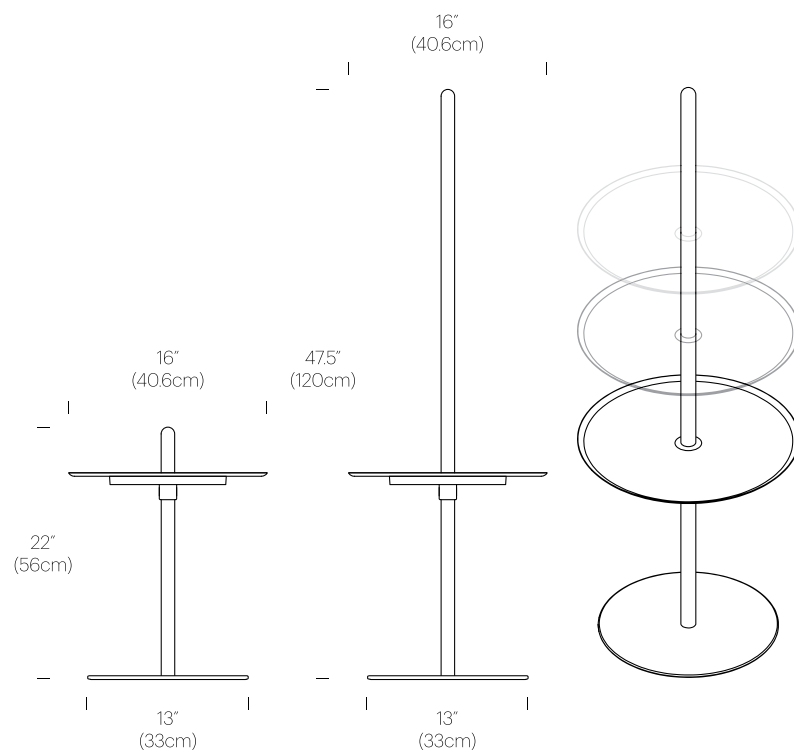
TERRACOTTA



BLACK

DIMENSIONS

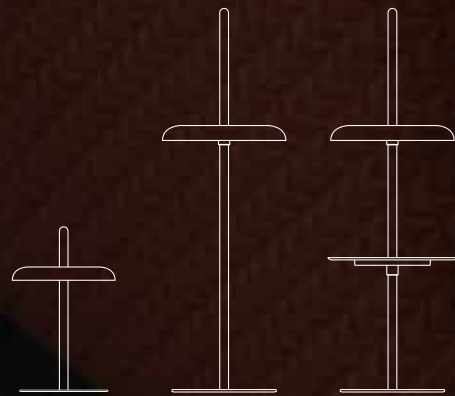
NIVÉL PEDESTAL SMALL & LARGE



NIVÉL TABLE AND FLOOR

At the intersection of functional lighting and furniture, Nivel brings warm and dynamic illumination to any residential, hospitality or work space. The Nivel portable collection consists of rechargeable, battery powered table and floorstanding lights that allow for freedom of movement to bring light to areas not serviced by power outlets. Perfect for indoor and outdoor entertaining, Nivel instantly becomes the focal point of any social gathering and can be easily toted by its solid wood post handle. Its cleverly designed shade/light engine assembly can be easily raised and lowered to any desired height around its crafted wooden post to provide maximum light control depending on user preference. Nivel table and floor shades are offered in 6 painted colorways: matted white, terracotta, forest green, slate blue, espresso and textured black and can be paired with either a white oak or walnut post. LED light engine features glare free flat panel light technology with best in class battery life of between 8-160 hours depending on light level.

Designer:
Pablo Pardo + Pablo Studio 2022



NIVÉL FLOOR

DESCRIPTION

At the intersection of functional lighting and furniture, you find Nivel. Nivel Floor is an adjustable height portable floor lamp. Perfect for indoor or outdoor use, Nivel provides a totem to gather around. Portable and rechargeable, Nivel enables users to bring light to areas not serviced by power outlets. Its cleverly designed light module rests securely fastened around a solid wood post fastened to a powdercoated steel base for added footing. A soft ambient downward facing light panel completes the package, bringing an unobtrusive light source to your home or office space. The post is offered in both solid oak and walnut and can be paired with a powder-coated shade in white, terracotta, forest green, slate blue, espresso and textured black.

FIXTURE TYPE

Floor

LIGHT SOURCE

Flat Panel LED

LIGHT CONTROL

Capacitive touch switch (3-stage dimming: 100/40/5%)

FEATURES

Portable and rechargeable
Adjustable height tray surface
USB-C charging port
8-160 hr Battery life

SPECIFICATIONS

Voltage: 120-240V 50/60Hz
Power Consumption: 6W
Color Temperature: 2700-2200K (warm dim)
Luminosity: 350 Lumens
Luminaire Efficacy: 58 Lumens/Watt
Color Rendition Index: 95 CRI
Cord length 9' (2.7m)
8 hr charge time (using included 10W power plug)
IP54 damp rated

CERTIFICATIONS



PRODUCT CODES

Nivel Floor (Oak/Black):	NIVE FLR OAK BLK
Nivel Floor (Oak/Slate Blue):	NIVE FLR OAK BLU
Nivel Floor (Oak/Espresso):	NIVE FLR OAK BRN
Nivel Floor (Oak/Forest):	NIVE FLR OAK GRN
Nivel Floor (Oak/Terracotta):	NIVE FLR OAK TER
Nivel Floor (Oak/White):	NIVE FLR OAK WHT
Nivel Floor (Walnut/Black):	NIVE FLR WAL BLK
Nivel Floor (Walnut/Slate Blue):	NIVE FLR WAL BLU
Nivel Floor (Walnut/Espresso):	NIVE FLR WAL BRN
Nivel Floor (Walnut/Forest):	NIVE FLR WAL GRN
Nivel Floor (Walnut/Terracotta):	NIVE FLR WAL TER
Nivel Floor (Walnut/White):	NIVE FLR WAL WHT

PACKAGING WEIGHTS AND DIMENSIONS

Nivel Floor	4.5LBS	17" X 18" X 5.25"
(Lamp, base and tray)	2KG	43cm X 46cm X 13cm
Nivel Floor	1.5LBS	2" X 2" X 50"
(Post)	.7KG	5cm X 5cm X 127cm

NOTES

Custom requests can be considered on volume orders



FINISHES

WOOD



OAK



WALNUT

SHADE



BLACK



WHITE



TERRACOTTA



FOREST



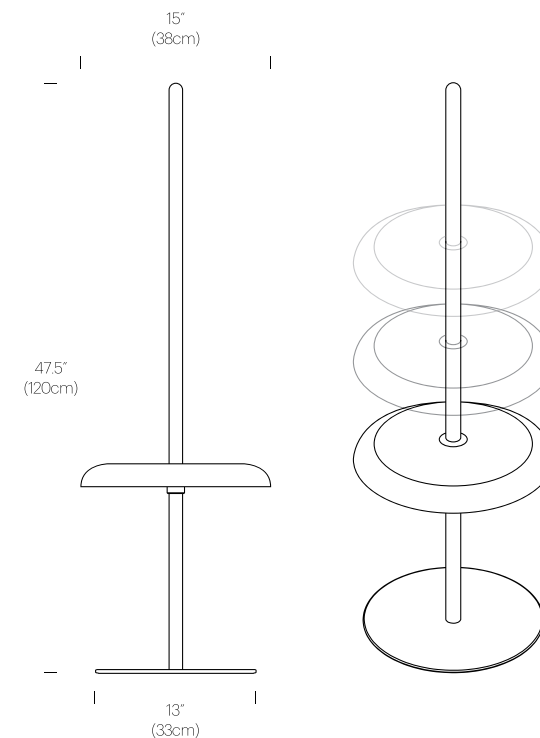
SLATE BLUE



ESPRESSO

DIMENSIONS

NIVÉL FLOOR



NIVEL FLOOR + PEDESTAL

NIVÉL TABLE

DESCRIPTION

At the intersection of functional lighting and furniture, you find Nivel. Nivel Table is an adjustable height portable light companion. Perfect for indoor or outdoor use, Nivel provides a totem to gather around. Portable and rechargeable, Nivel enables users to bring light to areas not serviced by power outlets. Its cleverly designed light module rests securely fastened around a solid wood post fastened to a powder-coated steel base for added footing. A soft ambient downward facing light panel completes the package, bringing an unobtrusive light source to your home or office space. The post is offered in both solid oak and walnut and can be paired with a powder-coated shade in white, terracotta, forest green, slate blue, espresso and textured black.

FIXTURE TYPE

Portable-rechargeable

LIGHT SOURCE

High output LED array

LIGHT CONTROL

Capacitive touch switch (3-stage dimming: 100/40/5%)

FEATURES

Portable and rechargeable
Adjustable height tray surface
USB-C charging port
8-160 hr Battery life

SPECIFICATIONS

Voltage: 120-240V 50/60Hz
Power Consumption: 6W
Color Temperature: 2700-2200K (warm dim)
Luminosity: 350 Lumens
Luminaire Efficacy: 58 Lumens/Watt
Color Rendition Index: 95 CRI
Cord length 6' (1.8m)
8 hr charge time (using included 10W power plug)
IP54 damp rated

CERTIFICATIONS



PRODUCT CODES

Nivel Table (Oak/Black):	NIVE TBL OAK BLK
Nivel Table (Oak/Slate Blue):	NIVE TBL OAK BLU
Nivel Table (Oak/Espresso):	NIVE TBL OAK BRN
Nivel Table (Oak/Forest):	NIVE TBL OAK GRN
Nivel Table (Oak/Terracotta):	NIVE TBL OAK TER
Nivel Table (Oak/White):	NIVE TBL OAK WHT
Nivel Table (Walnut/Black):	NIVE TBL WAL BLK
Nivel Table (Walnut/Slate Blue):	NIVE TBL WAL BLU
Nivel Table (Walnut/Espresso):	NIVE TBL WAL BRN
Nivel Table (Walnut/Forest):	NIVE TBL WAL GRN
Nivel Table (Walnut/Terracotta):	NIVE TBL WAL TER
Nivel Table (Walnut/White):	NIVE TBL WAL WHT

PACKAGING WEIGHTS AND DIMENSIONS

Nivel Table	4.5LBS	14" X 14" X 4"
(Lamp, base and tray)	2KG	35cm X 35cm X 10cm
Nivel Table	1.5LBS	2" X 2" X 24"
(Post)	.7KG	5cm X 5cm X 61cm

NOTES

Custom requests can be considered on volume orders



FINISHES

WOOD



OAK



WALNUT

SHADE



BLACK



WHITE



TERRACOTTA



FOREST



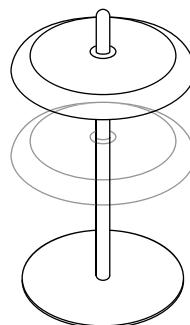
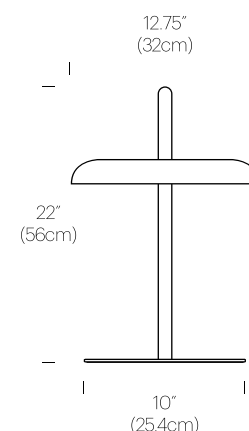
SLATE BLUE



ESPRESSO

DIMENSIONS

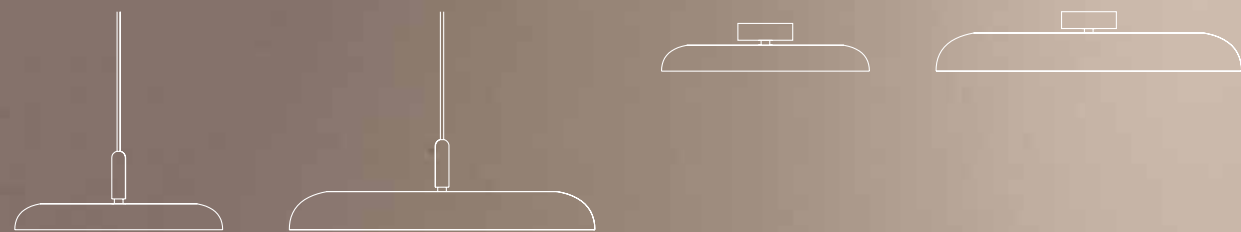
NIVÉL TABLE



NIVÉL PENDANT

Redefining the future in pendant illumination, Nivel's pure and elegant silhouette features a colorful pallet of spun shade forms combined with an articulating flat panel LED light engine that pivots gracefully on axis to focus light downward or as a wall wash to provide seamless light control for any space. Nivel pendant can be suspended individually or in large multi-light clusters powered by a single hardwired canopy allowing the user to reposition the lights to any desired height, span and directionality. Available in 2 sizes: 15"(38cm) and 22"(56cm) and 6 powder coated finishes in matte white, Terracotta, Forest Green, Slate Blue, Espresso and textured black with choice of black or white fabric cord and ceiling canopy. Nivel is also available in flush-mount variations for both sizes.

Designer:
Pablo Pardo + Pablo Studio 2022



NIVÉL PENDANT

DESCRIPTION

Redefining the future in pendant illumination, Nivél's pure and elegant silhouette features a colorful pallet of spun shade forms combined with an articulating flat panel LED light engine that pivots gracefully on axis to focus light downward or as a wall wash to provide seamless light control for any space. Nivél pendant can be suspended individually or in large multi-light clusters powered by a single hardwired canopy allowing the user to reposition the lights to any desired height, span and directionality. Available in 2 sizes: 15"(38cm) and 22" (56cm) and 6 powder coated finishes in matte white, terracotta, forest green, slate blue, espresso and textured black with choice of black or white fabric cord and ceiling canopy.

FIXTURE TYPE

Pendant

LIGHT SOURCE

LED Flat-Panel

LIGHT CONTROL

Full-range dim (ELV dimmer recommended)

FEATURES

45° shade tilt in two directions

SPECIFICATIONS

Voltage: 120-240V 50/60Hz

Power Consumption: 10.5W

Color Temperature: 2700K

Luminosity: 15"(500Lm), 22"(800 Lm)

Luminaire Efficacy: 76 Lumens/Watt

Color Rendition Index: 90 CRI

Title 20 compliant

50K hour lifespan

Cord length 10' (305cm)

CERTIFICATIONS



PRODUCT CODES

Nivél Pendant 15 Black Shade Black Cord:	NIVE PND 15 BLK BLK
Nivél Pendant 15 Black Shade White Cord:	NIVE PND 15 BLK WHT
Nivél Pendant 15 Slate Shade Black Cord:	NIVE PND 15 BLU BLK
Nivél Pendant 15 Slate Shade White Cord:	NIVE PND 15 BLU WHT
Nivél Pendant 15 Espresso Shade Black Cord:	NIVE PND 15 BRN BLK
Nivél Pendant 15 Espresso Shade White Cord:	NIVE PND 15 BRN WHT
Nivél Pendant 15 Forest Shade Black Cord:	NIVE PND 15 GRN BLK
Nivél Pendant 15 Forest Shade White Cord:	NIVE PND 15 GRN WHT
Nivél Pendant 15 Terracotta Shade Black Cord:	NIVE PND 15 TER BLK
Nivél Pendant 15 Terracotta Shade White Cord:	NIVE PND 15 TER WHT
Nivél Pendant 15 White Shade Black Cord:	NIVE PND 15 WHT BLK
Nivél Pendant 15 White Shade White Cord:	NIVE PND 15 WHT WHT
Nivél Pendant 22 Black Shade Black Cord:	NIVE PND 22 BLK BLK
Nivél Pendant 22 Black Shade White Cord:	NIVE PND 22 BLK WHT
Nivél Pendant 22 Slate Shade Black Cord:	NIVE PND 22 BLU BLK
Nivél Pendant 22 Slate Shade White Cord:	NIVE PND 22 BLU WHT
Nivél Pendant 22 Espresso Shade Black Cord:	NIVE PND 22 BRN BLK
Nivél Pendant 22 Espresso Shade White Cord:	NIVE PND 22 BRN WHT
Nivél Pendant 22 Forest Shade Black Cord:	NIVE PND 22 GRN BLK
Nivél Pendant 22 Forest Shade White Cord:	NIVE PND 22 GRN WHT
Nivél Pendant 22 Terracotta Shade Black Cord:	NIVE PND 22 TER BLK
Nivél Pendant 22 Terracotta Shade White Cord:	NIVE PND 22 TER WHT
Nivél Pendant 22 White Shade Black Cord:	NIVE PND 22 WHT BLK
Nivél Pendant 22 White Shade White Cord:	NIVE PND 22 WHT WHT

PACKAGING WEIGHTS AND DIMENSIONS

Nivél Pendant 15:	7LBS	17" X 18" X 5.25"
	3KG	43cm X 46cm X 13cm
Nivél Pendant 22:	2LBS	24" X 24" X 6"
	.9KG	60cm X 60cm X 15cm

NOTES

Custom requests can be considered on volume orders

155 **Pablo**

AVAILABLE GLOBALLY



FINISHES

CORD



BLACK



WHITE

SHADE



BLACK



WHITE



TERRACOTTA



FOREST



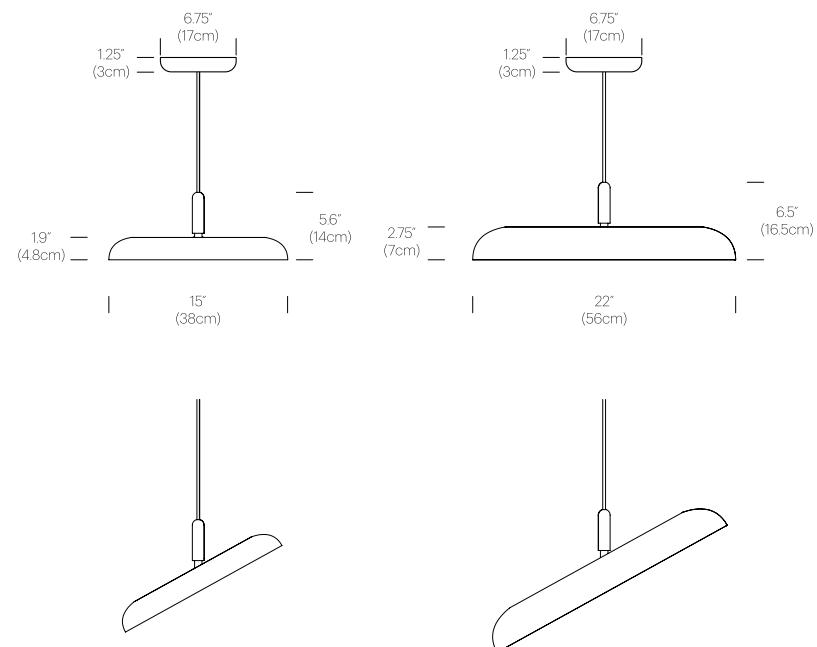
SLATE



ESPRESSO

DIMENSIONS

NIVÉL PENDANT



Pablo 156



NIVÉL FLUSH

DESCRIPTION

Nivél's pure and elegant silhouette features a colorful pallet of spun shade forms combined with a flat panel LED light engine. Nivél flush can be mounted in both ceiling and wall situations. Available in 2 sizes: 15" (38cm) and 22" (56cm) and 6 powder coated finishes in matte white, Terracotta, Forest Green, Slate Blue, Espresso and textured black paired with a white canopy assembly.

FIXTURE TYPE

Wall/Ceiling

LIGHT SOURCE

LED Flat-Panel

LIGHT CONTROL

Hard wired (Triac transformer) full range dim
ELV dimmer recommended

FEATURES

Full-range dim

SPECIFICATIONS

Voltage: 120-240V 50/60Hz
Power Consumption: 10.5W
Color Temperature: 2700K
Luminosity: 15" (500Lm), 22" (800 Lm)
Luminaire Efficacy: 76 Lumens/Watt
Color Rendition Index: 90 CRI
Title 20 compliant
50K hour lifespan

CERTIFICATIONS



PRODUCT CODES

Nivél Flush 15 Black Shade:	NIVE FSH 15 BLK
Nivél Flush 15 Slate Shade:	NIVE FSH 15 BLU
Nivél Flush 15 Espresso Shade:	NIVE FSH 15 BRN
Nivél Flush 15 Forest Shade:	NIVE FSH 15 GRN
Nivél Flush 15 Terracotta Shade:	NIVE FSH 15 TER
Nivél Flush 15 White Shade:	NIVE FSH 15 WHT
Nivél Flush 22 Black Shade:	NIVE FSH 22 BLK
Nivél Flush 22 Slate Shade:	NIVE FSH 22 BLU
Nivél Flush 22 Espresso Shade:	NIVE FSH 22 BRN
Nivél Flush 22 Forest Shade:	NIVE FSH 22 GRN
Nivél Flush 22 Terracotta Shade:	NIVE FSH 22 TER
Nivél Flush 22 White Shade:	NIVE FSH 22 WHT

PACKAGING WEIGHTS AND DIMENSIONS

Nivél Flush 15:	7LBS	17" X 17" X 5"
	3KG	43cm X 43cm X 12cm
Nivél Flush 22:	11LBS	24" X 24" X 6"
	5KG	60cm X 60cm X 15cm

NOTES

Custom requests can be considered on volume orders



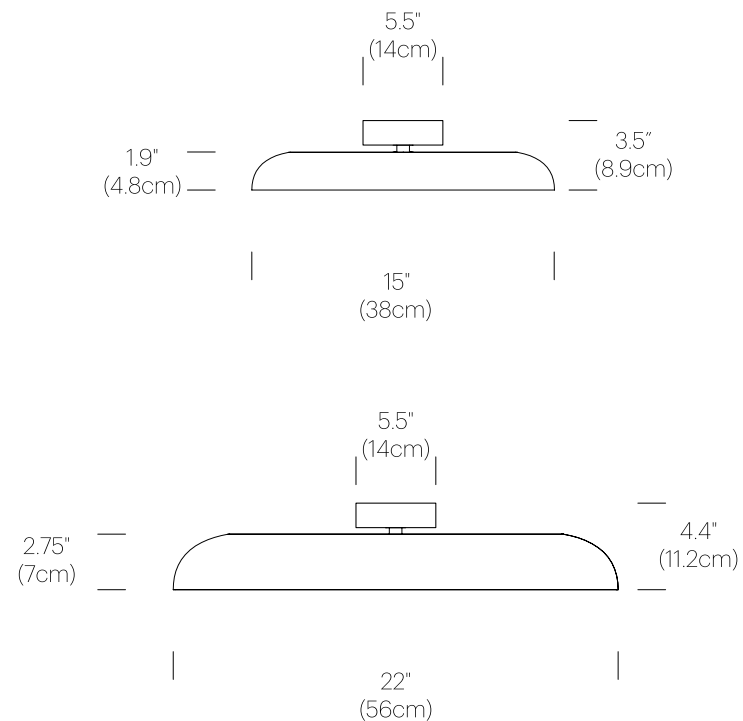
FINISHES

SHADE



DIMENSIONS

NIVÉL FLUSH



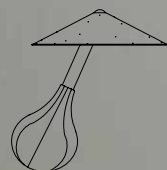


PICCOLA

As his very first product, Piccola is the original embodiment of Pablo Pardo's "less is more" design philosophy. Created as a personal utility lamp, Piccola's form is minimal, but also tactile, playful, and inviting of interaction. Supple Italian glove leather covers its soft, pliable base, which a user can tilt to any angle while its aluminum shade floats to remain level. It is this malleable base that maintains Piccola's sensitivity to any position - sensitivity intended to make every articulation organic and personal. Piccola is part of the San Francisco Museum of Modern Art's permanent collection.

Designer:
Pablo Pardo 1993

Awards:
[1993 ID Magazine Gold Award](#)
[SF MOMA permanent collection](#)



PICCOLA

DESCRIPTION

Piccola is limited only by your imagination. Its soft pliable base is covered in supple Italian glove leather and can be tilted to any angle while its hand-spun aluminum shade floats freely to remain level in all positions. It is as playful as it is intelligent. Piccola is part of the SFMOMA permanent collection.

FIXTURE TYPE

Table

LIGHT SOURCE

(1) 2900K bi pin 35W 120V GY6.35 bulb: 380lm

LIGHT CONTROL

Full range dim (in-line rotary dimmer)

FEATURES

Adjustable to any desired angle

SPECIFICATIONS

Voltage: 120V

Cable length: 8' (244cm)

1 year warranty

CERTIFICATIONS

UL listed components



FINISHES



IVORY



BLACK



RED



PURPLE



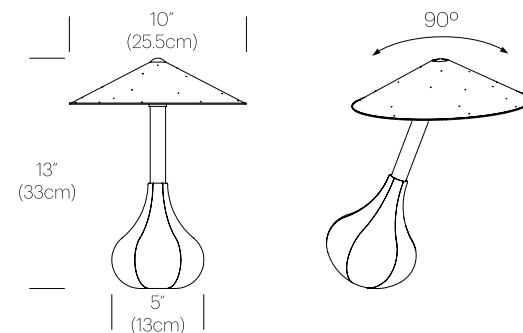
TANGERINE



MUSTARD

DIMENSIONS

PICCOLA



PRODUCT CODES

Piccola (Ivory Leather):	PICC LS IVR
Piccola (Black Leather):	PICC LS BLK
Piccola (Purple Leather):	PICC LS PUR
Piccola (Red Leather):	PICC LS RED
Piccola (Mustard Leather):	PICC LS MUS
Piccola (Tangerine Leather):	PICC LS ORG

PACKAGING WEIGHT AND DIMENSIONS

Piccola:	8.45LBS	15" X 11.5" X 9"
	3.8KGS	38cm X 29cm X 23cm

NOTES

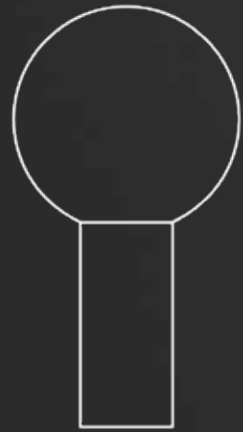
Custom requests can be considered on volume orders



PILAR

Playful and sculptural in design, Pilar is a study in geometric proportions that meticulously bring out the character of its materials to create pure warm, ambient illumination for any range of spaces. Pilar embodies a harmonious dialogue between solidity and lightness featuring a monolithic column in marble with a hovering glass globe that define its iconic silhouette. Pilar is offered in both Carrara white and Marquina black marble bases with a mating 12" (30.5cm) frosted Opal glass globe and features an inline full-range dimmer to select any desired light setting and ambiance.

Designer:
Pablo Pardo + Pablo Studio 2022



PILAR

DESCRIPTION

Playful and sculptural in design, Pilar is a study in geometric proportions that meticulously bring out the character of its materials to create pure warm, ambient illumination for any range of spaces. Pilar embodies a harmonious dialogue between solidity and lightness featuring a monolithic column in marble with a hovering glass globe that define its iconic silhouette. Pilar is offered in both Carrara white and Marquina black marble bases with a mating 12"(30.5cm) frosted Opal glass globe and features an inline full-range dimmer to select any desired light setting and ambiance.

FIXTURE TYPE

Table

LIGHT SOURCE

2700K BT-15 Halogen, 72W, 1090Lu
Or (1) 2700K BT-15 LED Bulb, 8W,
800Lu available by request

LIGHT CONTROL

In-line dimmer

FEATURES

Fully dimmable

SPECIFICATIONS

Voltage: 120-240V 50/60Hz
Power Consumption: 72W
Bulb: BT-15 Halogen
Color Temperature: 2700K
Luminosity: 1490 Lumens
Luminaire Efficacy: 20 Lumens/Watt
Color Rendition Index: 100 CRI
Cord length 9' (2.7m)

CERTIFICATIONS



FINISHES

MARBLE BASE



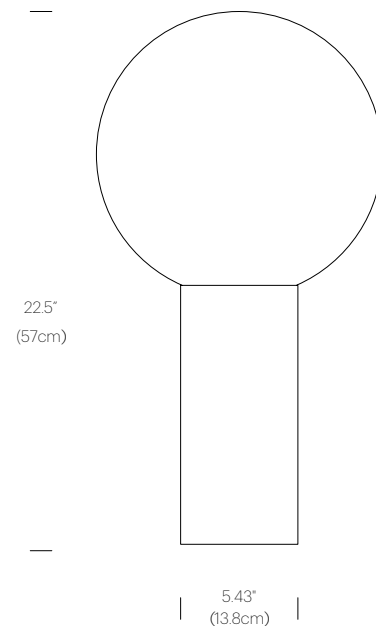
CARRARA
WHITE



MARQUINA
BLACK

DIMENSIONS

PILAR



PRODUCT CODES

Pilar (Black Marble):	PILA MRBL BLK
Pilar (White Marble):	PILA MRBL WHT

PACKAGING WEIGHTS AND DIMENSIONS

Pilar:	13LBS	8.25" X 8.25" X 17.5"
(Lamp base)	6KG	21cm X 21cm X 44cm
Pilar:	7.2LBS	18" X 18" X 18"
(Globe)	6KG	46cm X 46cm X 46cm

NOTES

Custom requests can be considered on volume orders



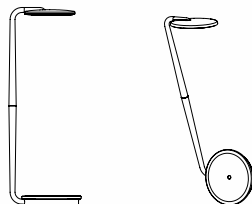


PIXO

Although it embodies an emotive, humanistic form, Pixo, at its conceptual core, is an ultra-efficient task light. Functionality and necessity drive its design. It makes the most of its frame and its space through every feature: Pixo's swiveling light shade and highly maneuverable arm lend it maximum utility within a minimal footprint. Its compact, energy-saving LED light is infinitely adjustable, allowing the user to focus warm, glare-free light wherever needed. For added convenience, the elegant form factor features full-range dimming via its easy to use optical switch. The base integrates ultra-convenient wireless charging technology + USB port for the ultimate task lighting experience. Even more, the upper and lower pieces ship detached from one another to reduce packing materials and shipping costs. Pixo Plus is 97% recyclable. Pixo is also available for wall mount application and features only a USB charging port.

Designer:
Fernando Pardo and Pablo Pardo 2011/2019

Awards:
[2012 Red Dot Award](#)



PIXO PLUS

DESCRIPTION

Pixo Plus now integrates ultra-convenient wireless charging technology + USB port for the ultimate task lighting experience. Designed for maximum utility in a minimal footprint, this compact and efficient LED task light is highly adjustable, allowing you to focus warm, glare-free light where you need it most. For added convenience, the elegant form factor features full-range dimming via its intuitive optical switch with a newly designed wireless charging base + USB port which can support all mobile phones equipped with wireless charging capability. Pixo Plus is available in an expansive array of expressive and sophisticated colors to suite every discerning taste.

FIXTURE TYPE

Table

LIGHT SOURCE

(78x) High-output LED array

LIGHT CONTROL

Full range dim control 100%-10% (optical switch)

FEATURES

- 360° arm rotation
- 180° arm tilt
- 360° shade rotation
- Wireless charging
- USB charging port
- Advanced LED array eliminates multiple shadows
- ADA compliant
- Ships flat-packed
- OCC model available upon request

SPECIFICATIONS

- Voltage: 120-240V 50-60Hz
- Power consumption: 6W MAX
- Color temperature: 3000K
- Luminosity: 325 Lumens
- Luminaire efficacy: 54 Lumens/Watt
- Color Rendition Index: 90 CRI
- 50K hour lifespan
- Cable length: 6' (182cm)
- Global multi-plug adapter available

CERTIFICATIONS



PRODUCT CODES

Pixo Plus (White):	PIXO PLUS WHT
Pixo Plus (Silver):	PIXO PLUS SLV
Pixo Plus (Graphite):	PIXO PLUS BLK
Pixo Plus (Azure):	PIXO PLUS BLU
Pixo Plus (Glow):	PIXO PLUS GLW
Pixo Plus (Orange):	PIXO PLUS ORG
Pixo Plus (White/Brass):	PIXO PLUS WHT/BRA
Pixo Plus (Graphite/Brass):	PIXO PLUS BLK/BRA

PACKAGING WEIGHT AND DIMENSIONS

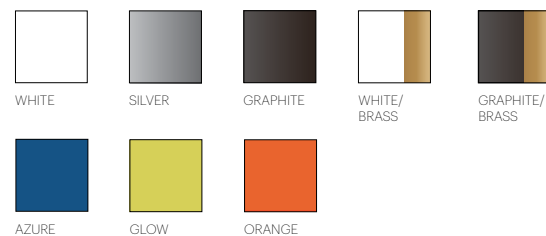
Pixo:	3.45LBS	17" X 9.5" X 2"
	1.6KGS	43cm X 24cm X 5cm

NOTES

- Occupancy sensor model available upon request
- Custom requests can be considered on volume orders

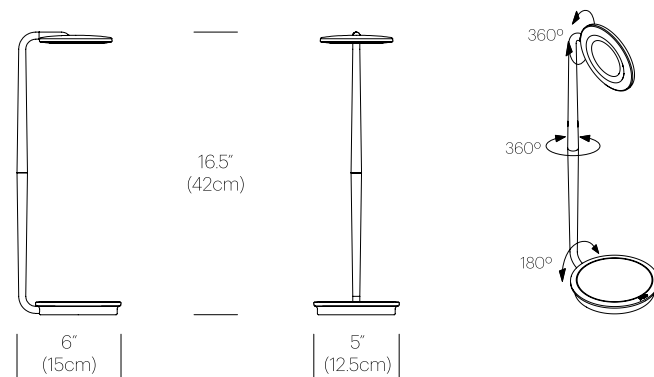


FINISHES



DIMENSIONS

PIXO



PIXO WALL

DESCRIPTION

Pixo offers maximum utility in a minimal footprint. The compact and efficient LED task light is highly adjustable, allowing you to focus warm, glare-free light where you need it most. For added convenience, the elegant form factor features full-range dimming via its easy to use optical switch. The base integrates a USB port for charging mobile devices.

FIXTURE TYPE

Wall

LIGHT SOURCE

(78x) High-output LED array

LIGHT CONTROL

Full range dim control 100%-10%

FEATURES

- 360° arm rotation
- 180° arm tilt
- 360° shade rotation
- USB charging port
- Advanced LED array eliminates multiple shadows
- ADA compliant
- Ships flat-packed

SPECIFICATIONS

- Voltage: 120-240V 50-60Hz
- Power consumption: 6W MAX
- Color temperature: 3000K
- Luminosity: 325 Lumens
- Luminaire efficacy: 54 Lumens/Watt
- Color Rendition Index: 90 CRI
- 50K hour lifespan
- Cable length: 6' (182cm)
- Global multi-plug adapter available

CERTIFICATIONS



PRODUCT CODES

Pixo Wall Pin-up (White):	PIXO WALL WHT
Pixo Wall Hard-wired (White):	PIXO WALL HW WHT

PACKAGING WEIGHT AND DIMENSIONS

Pixo Wall:	3.45LBS	17" X 9.5" X 2"
	1.6KGS	43cm X 24cm X 5cm

NOTES

Additional finishes can be considered on volume orders



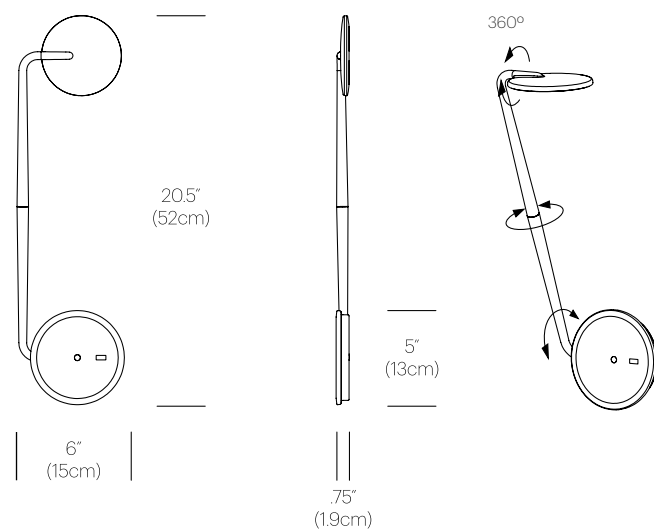
FINISHES



WHITE

DIMENSIONS

PIXO WALL

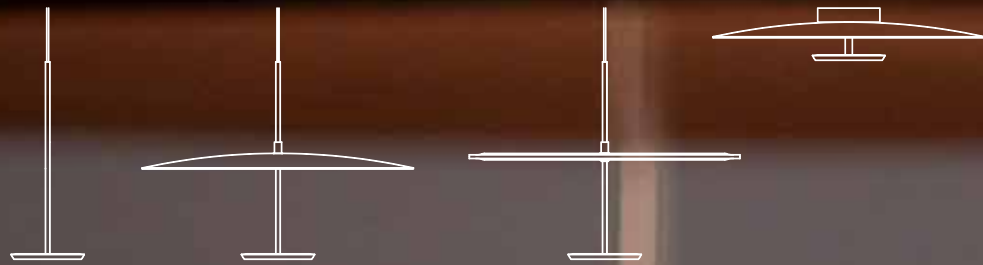


SKY

The Sky Collection was inspired as a modular pendant lighting system and Sky Solo is the core foundational element. Its minimal all-aluminum design highlights a powerful two-sided flat panel light source with Dim to Warm LED technology that can deliver up to 1250 lumens of warm ambient light in all directions. Sky Solo can be suspended individually, in series, or as striking chandelier groupings for residential, contract, and hospitality settings alike. Solo's light element can also be combined with a wide range of premium shade reflectors in metal, wood, and acoustic felt to provide an extraordinary breadth of performance and decorative solutions for residential, office, and hospitality settings alike.

Designer:
Pablo Pardo + Pablo Studio 2020

Awards:
2020 IDA Award
2020 NYCxDESIGN Award



SKY SOLO

DESCRIPTION

The Sky Collection was inspired as a modular pendant lighting system and Sky Solo is its core foundational element. Its minimal all-aluminum design highlights a powerful two-sided flat panel light source with Dim to Warm LED technology that can deliver up to 1250 lumens of warm ambient light in all directions. Sky Solo can be suspended individually, in series, or as striking chandelier groupings for residential, contract, and hospitality settings alike. Solo's light element can also be combined with a wide range of premium shade reflectors in metal, wood and acoustic felt to provide an extraordinary breadth of performance and decorative solutions.

FIXTURE TYPE

Pendant

LIGHT SOURCE

LED Flat-Panel

LIGHT CONTROL

Fully dimmable Compatible with TRIAC/ELV dimmers (0-10V dimming available upon request)

FEATURES

Dim-to-Warm (DTW) Light Source
Uplight/Downlight
Energy-efficient, flat panel technology
Glare-free illumination

SPECIFICATIONS

Voltage: 120 or 240V 50/60Hz
(100-277V 50/60Hz Available upon request)
Power Consumption: 18W MAX
Color Temperature: 2700-2200K (warm dim) or 3000K CCT, Note: 2700K CCT and 3500K CCT models Available Upon Request on volume orders
Luminosity: 1250 Lumens (850 down/400 up)
Luminaire efficacy: 58 Lumens/Watt
Color Rendition Index: 90 CRI
50K hour lifespan
Cable Length: 10' (3m) (Field cuttable)
ELV Dimmer recommended

CERTIFICATIONS



PRODUCT CODES

Sky Solo (Polished):	SKY SOLO
Sky Solo (Matte Black):	SKY SOLO BLK

PACKAGING WEIGHT AND DIMENSIONS

Sky Solo:	3.1LBS	10" X 19" X 2.4"
	1.4KGS	26cm X 48cm X 6cm

NOTES

Additional finishes can be considered on volume orders



FINISHES



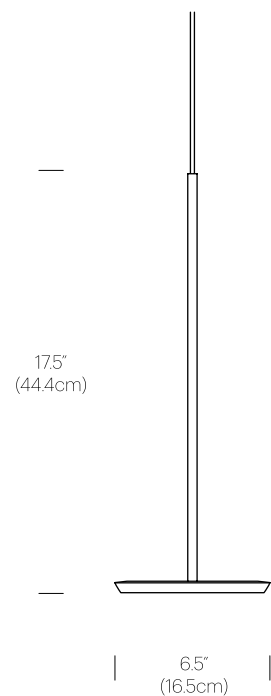
POLISHED ALUMINUM



MATTE BLACK

DIMENSIONS

SKY SOLO



SKY DOME METAL

DESCRIPTION

The Sky Collection is a modular pendant lighting system featuring multiple shade reflector solutions for various decorative and performance benefits. Sky Dome is available in both spun aluminum and pressed wood shade reflectors that when combined with their powerful 2-sided LED light source gives the lamp a weightless appearance while providing unparalleled illumination in all directions. Sky Dome combined form and function with unsurpassed quality and is available in 3 sizes : 18" (45.8cm)/24" (61cm)/32" (81cm).

FIXTURE TYPE

Pendant

LIGHT SOURCE

LED Flat-Panel downlight/High-output LED array uplight

LIGHT CONTROL

Fully dimmable Compatible with TRIAC/ELV dimmers (0-10V dimming available upon request)

FEATURES

Uplight/Downlight
Energy-efficient, flat panel technology (Glare-free illumination)

SPECIFICATIONS

Voltage: 120 or 240V 50/60Hz
(100-277V 50/60Hz Available upon request)
Power Consumption: 18W MAX
Color Temperature: 2700-2200K (warm dim) or 3000K CCT, Note: 2700K CCT and 3500K CCT models Available Upon Request on volume orders
Luminosity: 1250 Lumens (850 down/400 up)
Luminaire efficacy: 58 Lumens/Watt
Color Rendition Index: 90 CRI
50K hour lifespan
Cable Length: 10' (3m) (Field cuttable)

CERTIFICATIONS



PRODUCT CODES

Sky Dome 18 (Black/Black):	SKY DOM 18 BLK BLK
Sky Dome 18 (Black/Brass):	SKY DOM 18 BLK BRA
Sky Dome 18 (Black/White):	SKY DOM 18 BLK WHT
Sky Dome 18 (Polished/Black):	SKY DOM 18 BLK
Sky Dome 18 (Polished/Brass):	SKY DOM 18 BRA
Sky Dome 18 (Polished/White):	SKY DOM 18 WHT
Sky Dome 24 (Black/Black):	SKY DOM 24 BLK BLK
Sky Dome 24 (Black/Brass):	SKY DOM 24 BLK BRA
Sky Dome 24 (Black/White):	SKY DOM 24 BLK WHT
Sky Dome 24 (Polished/Black):	SKY DOM 24 BLK
Sky Dome 24 (Polished/Brass):	SKY DOM 24 BRA
Sky Dome 24 (Polished/White):	SKY DOM 24 WHT
Sky Dome 32 (Black/Black):	SKY DOM 32 BLK BLK
Sky Dome 32 (Black/Brass):	SKY DOM 32 BLK BRA
Sky Dome 32 (Black/White):	SKY DOM 32 BLK WHT
Sky Dome 32 (Polished/Black):	SKY DOM 32 BLK
Sky Dome 32 (Polished/Brass):	SKY DOM 32 BRA
Sky Dome 32 (Polished/White):	SKY DOM 32 WHT

PACKAGING WEIGHT AND DIMENSIONS

Sky Solo:	3.1LBS	10" X 19" X 2.4"
(Lamp)	1.4KGS	26cm X 48cm X 6cm
Sky Dome Metal 18:	3.1LBS	21.3" X 20.4" X 2.9"
(Shade)	1.4KGS	54cm X 52cm X 7.3cm
Sky Dome Metal 24:	5.1LBS	27.1" X 26.4" X 3.25"
(Shade)	2.3KGS	69cm X 67cm X 8.2cm
Sky Dome Metal 32:	9.5LBS	35" X 34.8" X 3.9"
(Shade)	4.3KGS	89cm X 88cm X 10cm

NOTES

Additional finishes can be considered on volume orders



FINISHES

LAMP



POLISHED ALUMINUM



MATTE BLACK

SHADE



BLACK



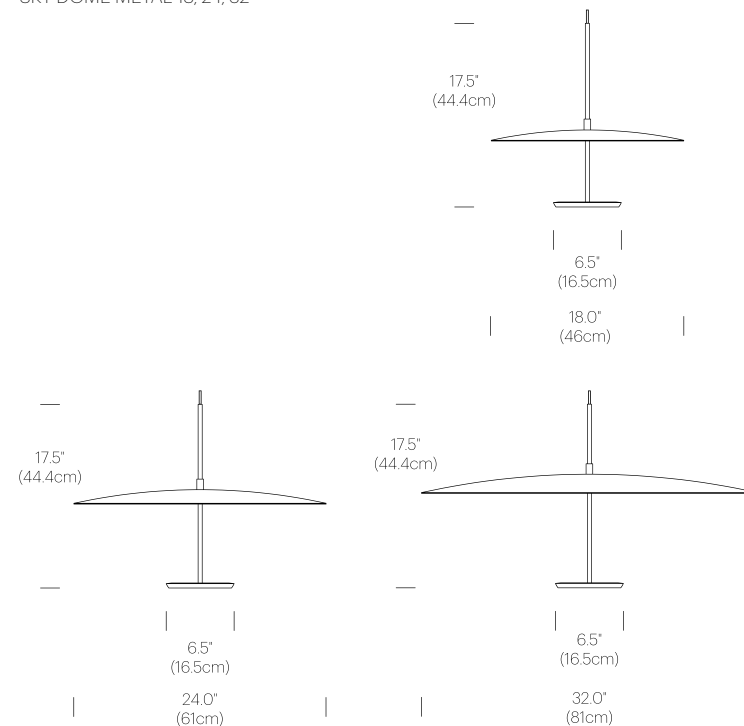
WHITE



SATIN BRASS

DIMENSIONS

SKY DOME METAL 18, 24, 32



SKY DOME WOOD

DESCRIPTION

The Sky Collection is a modular pendant lighting system featuring multiple shade reflector solutions for various decorative and performance benefits. Sky Dome is available in both spun aluminum and pressed wood shade reflectors that when combined with their powerful 2-sided LED light source gives the lamp a weightless appearance while providing unparalleled illumination in all directions. Sky Dome combined form and function with unsurpassed quality and is available in 2 sizes : 18" (45.8cm) and 24" (61cm).

FIXTURE TYPE

Pendant

LIGHT SOURCE

LED Flat-Panel downlight/High-output LED array uplight

LIGHT CONTROL

Fully dimmable Compatible with TRIAC/ELV dimmers (0-10V dimming available upon request)

FEATURES

Dim-to-Warm (DTW) Light Source
Uplight/Downlight
Energy-efficient, flat panel technology
Glare-free illumination

SPECIFICATIONS

Voltage: 120 or 240V 50/60Hz
(100-277V 50/60Hz Available upon request)
Power Consumption: 18W MAX
Color Temperature: 2700-2200K (warm dim) or 3000K CCT, Note: 2700K CCT and 3500K CCT models Available Upon Request on volume orders
Luminosity: 1250 Lumens (850 down/400 up)
Luminaire efficacy: 58 Lumens/Watt
Color Rendition Index: 90 CRI
50K hour lifespan
Cable Length: 10' (3m) (Field cuttable)
ELV Dimmer recommended

CERTIFICATIONS



PRODUCT CODES

Sky Dome 18 (Black/Oak):	SKY DOM 18 BLK OAK
Sky Dome 18 (Black/Walnut):	SKY DOM 18 BLK WLN
Sky Dome 18 (Polished/Oak):	SKY DOM 18 OAK
Sky Dome 18 (Polished/Walnut):	SKY DOM 18 WLN
Sky Dome 24 (Black/Oak):	SKY DOM 24 BLK OAK
Sky Dome 24 (Black/Walnut):	SKY DOM 24 BLK WLN
Sky Dome 24 (Polished/Oak):	SKY DOM 24 OAK
Sky Dome 24 (Polished/Walnut):	SKY DOM 24 WLN

PACKAGING WEIGHT AND DIMENSIONS

Sky Solo:	3.1LBS	10" X 19" X 2.4"
(Lamp)	1.4KGS	26cm X 48cm X 6cm
Sky Dome Wood 18:	3.3LBS	21.3" X 20.4" X 2.9"
(Shade)	1.4KGS	54cm X 52cm X 7.3cm
Sky Dome Wood 24:	5.5LBS	27.1" X 26.4" X 3.25"
(Shade)	2.5KGS	69cm X 67cm X 8.2cm

NOTES

Additional finishes can be considered on volume orders

183 **Pablo**

AVAILABLE GLOBALLY



FINISHES

LAMP



POLISHED ALUMINUM



MATTE BLACK

DOME



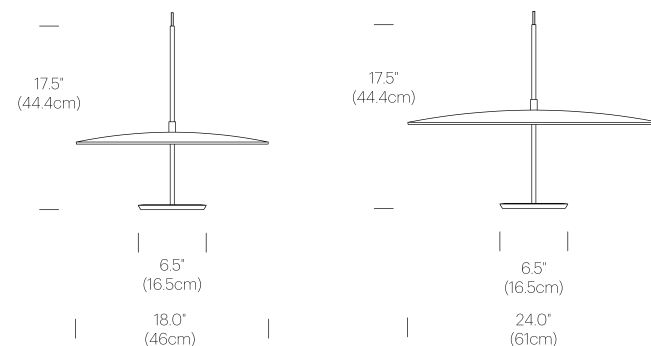
WALNUT



WHITE OAK

DIMENSIONS

SKY DOME WOOD 18, 24



Pablo 184

SKY SOUND

DESCRIPTION

The Sky Collection is a modular pendant lighting system featuring multiple shade reflector solutions for various decorative and performance benefits. Sky Sound combines Acoustic performance with powerful omnidirectional illumination to provide a one of a kind pendant solution that minimizes ambient noise and contributes to a positive workspace. Its elegant PET felted disc shade is suspended by a polished aluminum mast and is available in 18" (45.8cm)/24" (61cm)/32" (81cm) sizes with rich and vibrant colorways to create a harmonious environment of light and quiet to enhance our wellbeing.

FIXTURE TYPE

Pendant

LIGHT SOURCE

LED Flat-Panel downlight/High-output LED array uplight

LIGHT CONTROL

Fully dimmable Compatible with TRIAC/ELV dimmers (0-10V dimming available upon request)

FEATURES

Uplight/Downlight
Energy-efficient, flat panel technology (Glare-free illumination)

SPECIFICATIONS

Voltage: 120 or 240V 50/60Hz
(100-277V 50/60Hz Available upon request)
Power Consumption: 18W MAX
Color Temperature: 2700-2200K (warm dim) or 3000K CCT, Note: 2700K CCT and 3500K CCT models Available Upon Request on volume orders
Luminosity: 1250 Lumens (850 down/400 up)
Luminaire efficacy: 58 Lumens/Watt
Color Rendition Index: 90 CRI
50K hour lifespan
Cable Length: 10' (3m) (Field cuttable)

CERTIFICATIONS  

PRODUCT CODES

Sky Sound 18 (Black/Graphite):	SKY SND 18 BLK GPT
Sky Sound 18 (Black/Grey):	SKY SND 18 BLK GRY
Sky Sound 18 (Polished/Graphite):	SKY SND 18 GPT
Sky Sound 18 (Polished/Grey):	SKY SND 18 GRY
Sky Sound 24 (Black/Graphite):	SKY SND 24 BLK GPT
Sky Sound 24 (Black/Grey):	SKY SND 24 BLK GRY
Sky Sound 24 (Polished/Graphite):	SKY SND 24 GPT
Sky Sound 24 (Polished/Grey):	SKY SND 24 GRY
Sky Sound 32 (Black/Graphite):	SKY SND 32 BLK GPT
Sky Sound 32 (Black/Grey):	SKY SND 32 BLK GRY
Sky Sound 32 (Polished/Graphite):	SKY SND 32 GPT
Sky Sound 32 (Polished/Grey):	SKY SND 32 GRY

PACKAGING WEIGHT AND DIMENSIONS

Sky Solo:	3.1LBS	10" X 19" X 2.4"
(Lamp)	1.4KGS	26cm X 48cm X 6cm
Sky Sound 18:	2.5LBS	21.3" X 20.4" X 2.9"
(Shade)	1.9KGS	54cm X 52cm X 7.3cm
Sky Sound 24:	4.1LBS	27.1" X 26.4" X 3.25"
(Shade)	2.4KGS	69cm X 67cm X 8.2cm
Sky Sound 32:	7.2LBS	35" X 34.8" X 3.9"
(Shade)	3.3KGS	89cm X 88cm X 10cm

NOTES

Additional finishes can be considered on volume orders



FINISHES

LAMP



POLISHED ALUMINUM



MATTE BLACK

SHADE



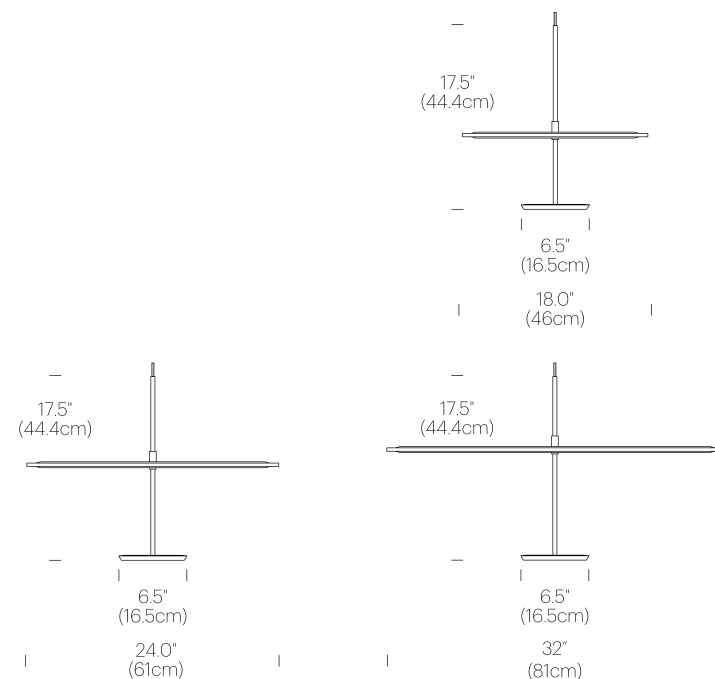
ANTHRACITE



STONE

DIMENSIONS

SKY SOUND 18, 24, 32



SKY DOME FLUSH WOOD

DESCRIPTION

The Sky Collection is a modular pendant lighting system featuring multiple shade reflector solutions for various decorative and performance benefits. Sky Dome Flush is available in both spun aluminum and pressed wood shade reflectors that when combined with their powerful 2-sided LED light source gives the lamp a weightless appearance while providing unparalleled illumination in all directions. Sky Dome combined form and function with unsurpassed quality and is available in 2 sizes : 18" (45.8cm) and 24" (61cm).

FIXTURE TYPE

Wall/Ceiling

LIGHT SOURCE

LED Flat-Panel downlight/High-output LED array uplight

LIGHT CONTROL

Fully dimmable Compatible with TRIAC/ELV dimmers (0-10V dimming available upon request)

FEATURES

Bi-directional Light Source
Energy-efficient, flat panel technology (Glare-free illumination)

SPECIFICATIONS

Voltage: 120 or 240V 50/60Hz
(100-277V 50/60Hz Available upon request)
Power Consumption: 18W MAX
Color Temperature: 2700-2200K (warm dim) or 3000K CCT, Note: 2700K CCT and 3500K CCT models Available Upon Request on volume orders
Luminosity: 1250 Lumens (850 down/400 up)
Luminaire efficacy: 58 Lumens/Watt
Color Rendition Index: 90 CRI
50K hour lifespan

CERTIFICATIONS



PRODUCT CODES

Sky Flush Dome 18 Wood (Black/Oak):	SKY FSH 18 DOM BLK BLK
Sky Flush Dome 18 Wood (Black/Walnut):	SKY FSH 18 DOM BLK BRA
Sky Flush Dome 18 Wood (Polished/Oak):	SKY FSH 18 DOM BLK
Sky Flush Dome 18 Wood (Polished/Walnut):	SKY FSH 18 DOM BRA
Sky Flush Dome 24 Wood (Black/Oak):	SKY FSH 24 DOM BLK BLK
Sky Flush Dome 24 Wood (Black/Walnut):	SKY FSH 24 DOM BLK BRA
Sky Flush Dome 24 Wood (Polished/Oak):	SKY FSH 24 DOM BLK
Sky Flush Dome 24 Wood (Polished/Walnut):	SKY FSH 24 DOM BRA

PACKAGING WEIGHT AND DIMENSIONS

Sky Solo:	3.1LBS	10" X 19" X 2.4"
(Lamp)	1.4KGS	26cm X 48cm X 6cm
Sky Dome Wood 18:	3.3LBS	21.3" X 20.4" X 2.9"
(Shade)	1.4KGS	54cm X 52cm X 7.3cm
Sky Dome Wood 24:	5.5LBS	27.1" X 26.4" X 3.25"
(Shade)	2.5KGS	69cm X 67cm X 8.2cm

NOTES

Additional finishes can be considered on volume orders



FINISHES

LAMP



POLISHED ALUMINUM



MATTE BLACK

DOME



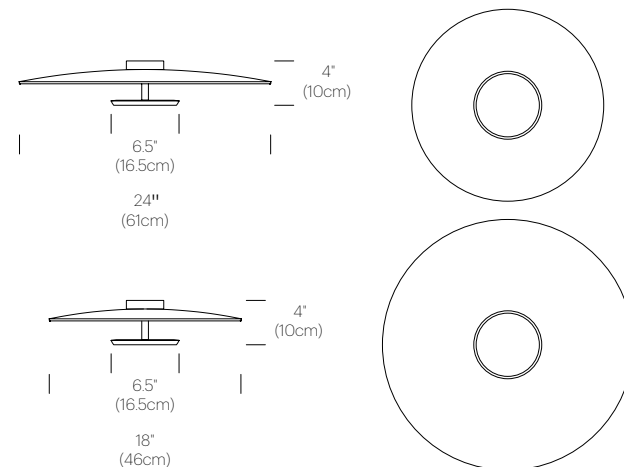
WALNUT



WHITE OAK

DIMENSIONS

SKY DOME WOOD 18, 24



SKY DOME FLUSH METAL

DESCRIPTION

The Sky Collection is a modular pendant lighting system featuring multiple shade reflector solutions for various decorative and performance benefits. Sky Dome Flush is available in both spun aluminum and pressed wood shade reflectors that when combined with their powerful 2-sided LED light source gives the lamp a weightless appearance while providing unparalleled illumination in all directions. Sky Dome combined form and function with unsurpassed quality and is available in 2 sizes : 18" (45.8cm) and 24" (61cm).

FIXTURE TYPE

Wall/Ceiling

LIGHT SOURCE

LED Flat-Panel downlight/High-output LED array uplight

LIGHT CONTROL

Fully dimmable Compatible with TRIAC/ELV dimmers (0-10V dimming available upon request)

FEATURES

Uplight/Downlight
Energy-efficient, flat panel technology(Glare-free illumination)

SPECIFICATIONS

Voltage: 120 or 240V 50/60Hz

(100-277V 50/60Hz Available upon request)

Power Consumption: 18W MAX

Color Temperature: 2700-2200K (warm dim) or 3000K CCT, Note: 2700K CCT and 3500K CCT models Available Upon Request on volume orders

Luminosity: 1250 Lumens (850 down/400 up)

Luminaire efficacy: 58 Lumens/Watt

Color Rendition Index: 90 CRI

50K hour lifespan

CERTIFICATIONS



PRODUCT CODES

Sky Flush Dome 18 (Black/Black):	SKY FSH 18 DOM BLK BLK
Sky Flush Dome 18 (Black/Brass):	SKY FSH 18 DOM BLK BRA
Sky Flush Dome 18 (Black/White):	SKY FSH 18 DOM BLK WHT
Sky Flush Dome 18 (Polished/Black):	SKY FSH 18 DOM BLK
Sky Flush Dome 18 (Polished/Brass):	SKY FSH 18 DOM BRA
Sky Flush Dome 18 (Polished/White):	SKY FSH 18 DOM WHT
Sky Flush Dome 24 (Black/Black):	SKY FSH 24 DOM BLK BLK
Sky Flush Dome 24 (Black/Brass):	SKY FSH 24 DOM BLK BRA
Sky Flush Dome 24 (Black/White):	SKY FSH 24 DOM BLK WHT
Sky Flush Dome 24 (Polished/Black):	SKY FSH 24 DOM BLK
Sky Flush Dome 24 (Polished/Brass):	SKY FSH 24 DOM BRA
Sky Flush Dome 24 (Polished/White):	SKY FSH 24 DOM WHT
Sky Flush Dome 32 (Black/Black):	SKY FSH 32 DOM BLK BLK
Sky Flush Dome 32 (Black/Brass):	SKY FSH 32 DOM BLK BRA
Sky Flush Dome 32 (Black/White):	SKY FSH 32 DOM BLK WHT
Sky Flush Dome 32 (Polished/Black):	SKY FSH 32 DOM BLK
Sky Flush Dome 32 (Polished/Brass):	SKY FSH 32 DOM BRA
Sky Flush Dome 32 (Polished/White):	SKY FSH 32 DOM WHT

PACKAGING WEIGHT AND DIMENSIONS

Sky Solo:	3.1LBS	10" X 19" X 2.4"
(Lamp)	1.4KGS	26cm X 48cm X 6cm
Sky Dome Metal 18:	3.1LBS	21.3" X 20.4" X 2.9"
(Shade)	1.4KGS	54cm X 52cm X 7.3cm
Sky Dome Metal 24:	5.1LBS	27.1" X 26.4" X 3.25"
(Shade)	2.3KGS	69cm X 67cm X 8.2cm
Sky Dome Metal 32:	9.5LBS	35" X 34.8" X 3.9"
(Shade)	4.3KGS	89cm X 88cm X 10cm

NOTES

Additional finishes can be considered on volume orders

189 Pablo

AVAILABLE GLOBALLY



FINISHES

LAMP



POLISHED ALUMINUM



MATTE BLACK

DOME



BLACK



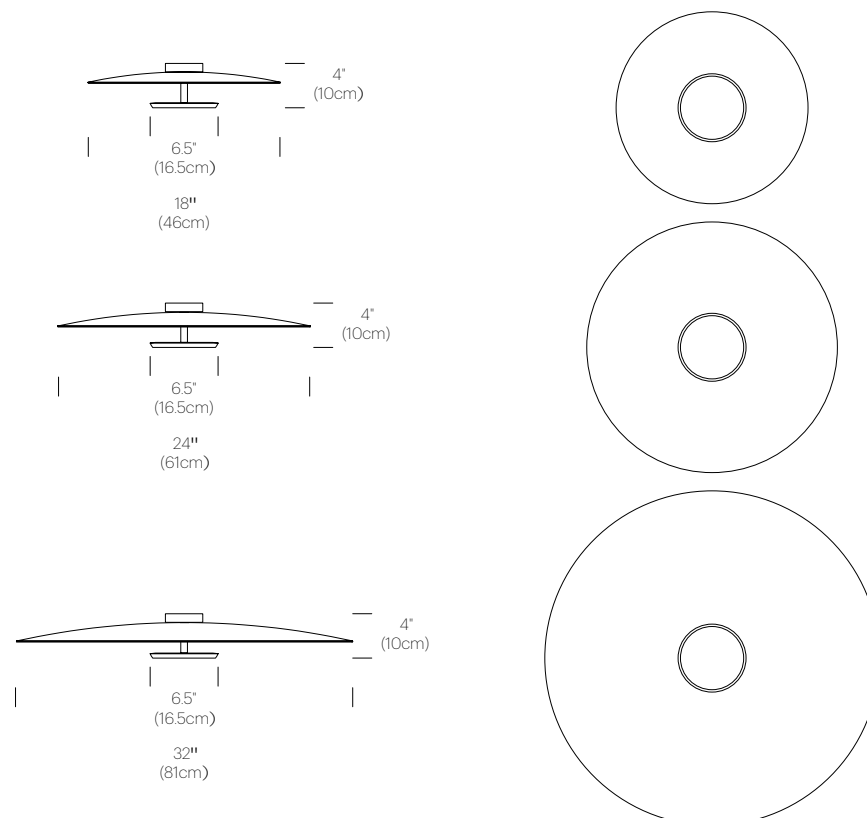
WHITE



SATIN BRASS

DIMENSIONS

SKY DOME FLUSH METAL 18, 24, 32



Pablo 190



SOLIS

In creating Solis, designer Carmine Deganello set out to engage with light in its archetypal form: the sun's rays. The resulting piece is an engaging blend of light and shadows, casting shimmering rays and radiating patterns onto a space. The effect is a sense of weightlessness — and a redefined environment that invites a new kind of relationship with the light source. A suspension lamp made of lightweight polyester fabric and stainless steel, Solis can be used as a pendant or hung from a wall.

Designer:
Carmine Deganello 2009/2010



SOLIS PENDANT

DESCRIPTION

Solis is an innovatively simple and elegant suspension lamp that can be used as a pendant or hung from a wall to create a distinctive ambiance. The resulting piece is an engaging blend of light and shadow, casting shimmering rays and radiating patterns onto a space.

FIXTURE TYPE

Pendant

LIGHT SOURCE

(1) 3000K E26 base 60W PAR30 NSP halogen bulb: 1090lm
LED equivalent available upon request

LIGHT CONTROL

Full range dim (in-line slide dimmer)
Compatible with TRIAC/ELV dimmers
Can be hard-wired

FEATURES

Ships flat-packed
Full-range dim

SPECIFICATIONS

Voltage: 120V or 240V 50/60Hz
Fire retardant polyester fabric
Cable length: 16' (488cm) (Field Cuttable)

CERTIFICATIONS

UL listed components



FINISHES



WHITE



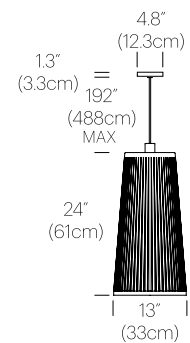
BLACK



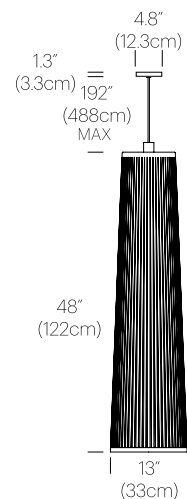
SILVER

DIMENSIONS

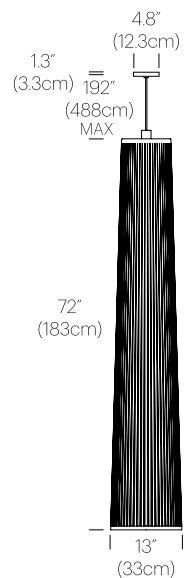
SOLIS 24



SOLIS 48



SOLIS 72



PRODUCT CODES

Solis 24 (White):	SOLI 24 WHT
Solis 24 (Black):	SOLI 24 BLK
Solis 24 (Silver):	SOLI 24 SLV
Solis 48 (White):	SOLI 48 WHT
Solis 48 (Black):	SOLI 48 BLK
Solis 48 (Silver):	SOLI 48 SLV
Solis 72 (White):	SOLI 72 WHT
Solis 72 (Black):	SOLI 72 BLK
Solis 72 (Silver):	SOLI 72 SLV
Solis Wall Plate Cover:	SOLI WALL HW CVR

PACKAGING WEIGHT AND DIMENSIONS

Solis 24/48/72:	8.6LBS	14.5" X 13.5" X 8.5"
	3.9KGS	37cm X 34cm X 22cm

NOTES

Custom requests can be considered on volume orders



SOLIS CHANDELIER

DESCRIPTION

Solis is an innovatively simple and elegant suspension lamp that can be hung in groupings of 3 and 5 fixtures to create a striking composition. The resulting piece is an engaging blend of light and shadow, casting shimmering rays and radiating patterns onto a space.

FIXTURE TYPE

Chandelier

LIGHT SOURCE

(1) 3000K E26 base 60W PAR30 NSP halogen bulb: 1090lm per lamp

LED equivalent available upon request

LIGHT CONTROL

Hard-wired, dimmable

Compatible with TRIAC/ELV dimmers

FEATURES

Ships flat-packed

Full-range dim

SPECIFICATIONS

Voltage: 120V or 240V 50/60Hz

Fire retardant polyester fabric

Cable length: 16' (488cm) (Field Cuttable)

CERTIFICATIONS

UL listed components



PRODUCT CODES

Solis 24 (White):	SOLI 24 WHT
Solis 24 (Black):	SOLI 24 BLK
Solis 24 (Silver):	SOLI 24 SLV
Solis 48 (White):	SOLI 48 WHT
Solis 48 (Black):	SOLI 48 BLK
Solis 48 (Silver):	SOLI 48 SLV
Solis 72 (White):	SOLI 72 WHT
Solis 72 (Black):	SOLI 72 BLK
Solis 72 (Silver):	SOLI 72 SLV
26" Chandelier Canopy:	CHND CAN 26

PACKAGING WEIGHT AND DIMENSIONS

Solis 24/48/72:	8.6LBS	14.5" X 13.5" X 8.5"
	3.9KGS	37cm X 34cm X 22cm
Chandelier canopy 26":	30LBS	32" X 32" X 6"
	13.6KGS	81cm X 81cm X 15cm

NOTES

Custom requests can be considered on volume orders



FINISHES



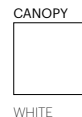
WHITE



BLACK

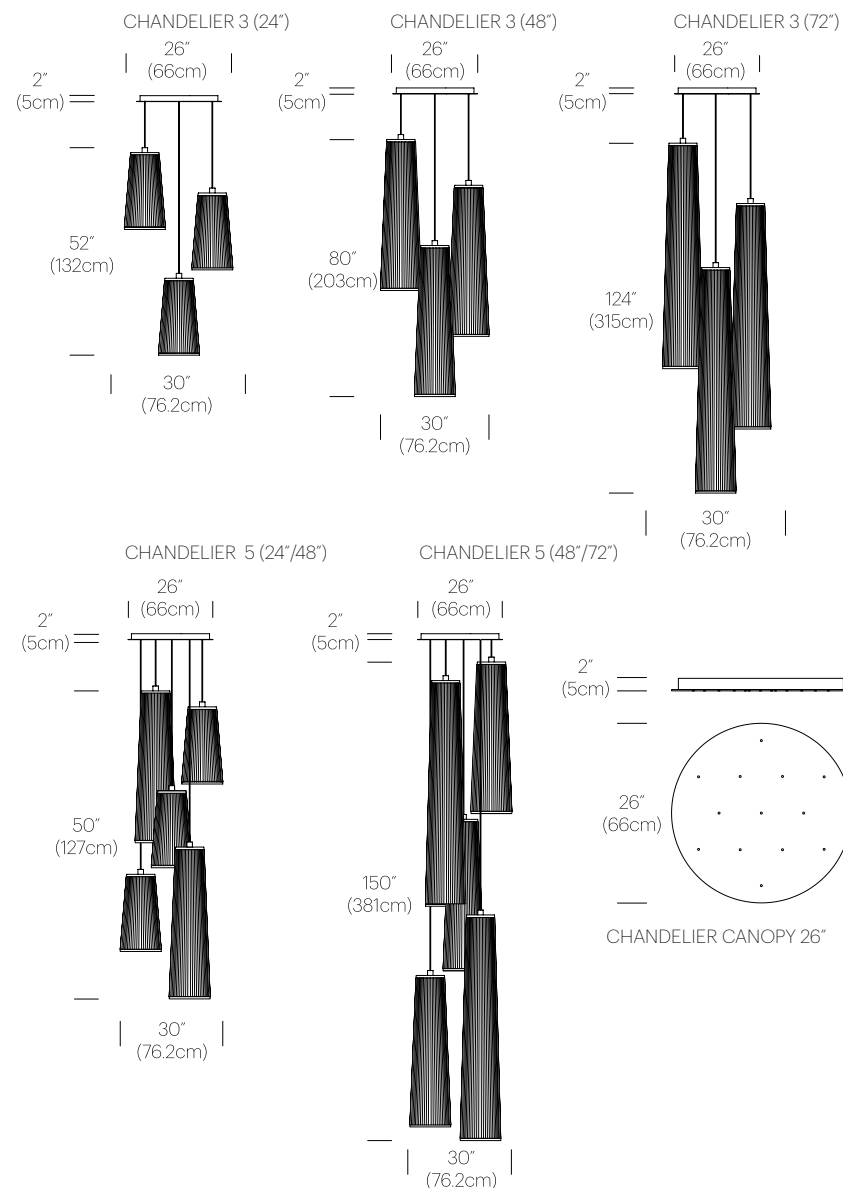


SILVER



WHITE

DIMENSIONS



SOLIS DRUM

The new Solis Drum Pendant is the latest addition to the elegant Solis suspension family. Featuring a uniquely engaging blend of light and shadow, Solis Drum is made of laser cut polyester fabric combined with an aluminum top and bottom ring construction that allows the shade to hang under tension. Solis Drum also employs a stunning LED dome diffuser that spans the diameter of the top ring, radiating light down and sideways to cast shimmering warm patterns onto the space that surrounds it. The effect is a sense of weightlessness that invites a new kind of relationship with the light source. Perfect over a dining table, an entryway or in large groupings.

Designer:
Carmine Deganello + Pablo Studio 2016



SOLIS DRUM 24/36

DESCRIPTION

The new Solis Drum Pendant is the latest addition to the elegant Solis suspension family. Featuring a uniquely engaging blend of light and shadow, Solis Drum is made of laser cut polyester fabric combined with an aluminum top and bottom ring construction that allows the shade to hang under tension. Solis Drum also employs a stunning LED dome diffuser that spans across the full diameter of the top ring, radiating light down and sideways to cast shimmering warm patterns onto the space that surrounds it. The effect is a sense of weightlessness that invites a new kind of relationship with the light source. Perfect over a dining table, an entryway or in large groupings.

FIXTURE TYPE

Pendant

LIGHT SOURCE

High-output LED array

LIGHT CONTROL

Hard-wired, dimmable
Compatible with TRIAC/ELV dimmers
(0-10V dimming available upon request)

FEATURES

Ships flat-packed
Full-range dim with ELV dimmers
Fire retardant polyester fabric

SPECIFICATIONS

Voltage: 120-277V 50-60Hz
Power Consumption: 35W (24"), 80W (36")
Color Temperature: 2700K
Luminosity: 2500 Lumens (24"), 5600 Lumens (36")
Luminaire efficacy: 71 Lumens/Watt
Color Rendition Index: 85 CRI
50K hour lifespan
Cable length: 10' (305cm) (Field Cuttable)

CERTIFICATIONS



PRODUCT CODES

Solis Drum 24 (White):	SOLI DR 24 WHT
Solis Drum 24 (Black):	SOLI DR 24 BLK
Solis Drum 24 (Silver):	SOLI DR 24 SLV
Solis Drum 36 (White):	SOLI DR 36 WHT
Solis Drum 36 (Black):	SOLI DR 36 BLK
Solis Drum 36 (Silver):	SOLI DR 36 SLV

PACKAGING WEIGHT AND DIMENSIONS

Solis Drum 24:	11LBS	26" X 26" X 6"
	5KGS	61cm X 61cm X 15cm
Solis Drum 36:	16.4LBS	38" X 38" X 8"
	7.5KGS	96.5cm X 96.5cm X 20.3cm

NOTES

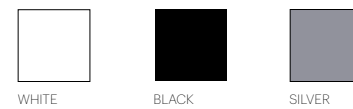
Custom requests can be considered on volume orders
3000K, 3500k and other color temperatures available upon request

201 **Pablo**

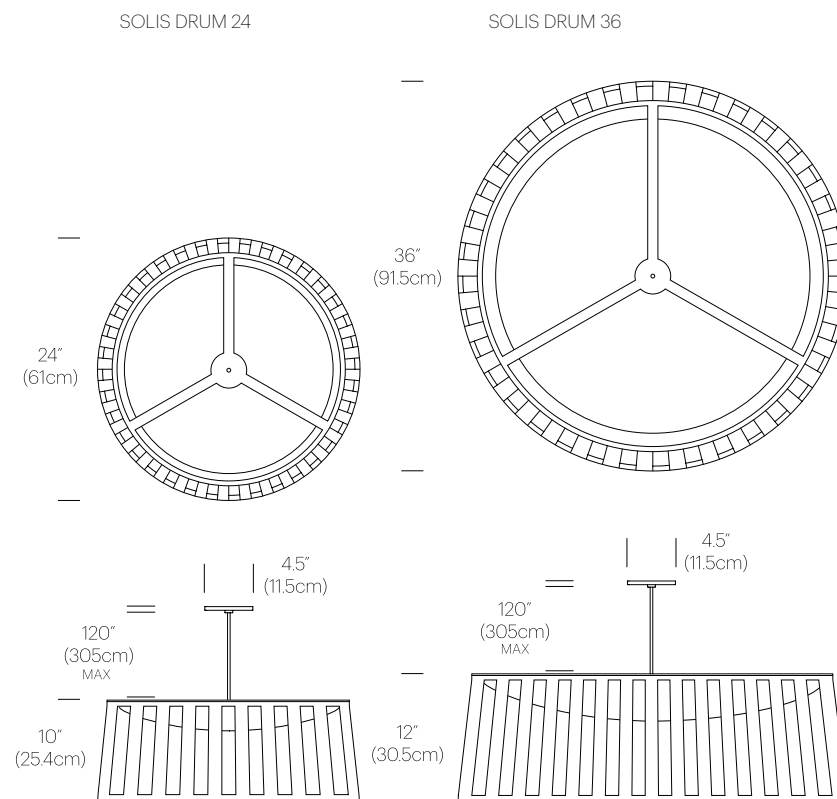
AVAILABLE GLOBALLY



FINISHES



DIMENSIONS



Pablo 202

SOLIS DRUM FLUSH 24/36

DESCRIPTION

The new Solis Drum Pendant is the latest addition to the elegant Solis suspension family. Featuring a uniquely engaging blend of light and shadow, Solis Drum is made of laser cut polyester fabric combined with an aluminum top and bottom ring construction that allows the shade to hang under tension. Solis Drum also employs a stunning LED dome diffuser that spans across the full diameter of the top ring, radiating light down and sideways to cast shimmering warm patterns onto the space that surrounds it. The effect is a sense of weightlessness that invites a new kind of relationship with the light source. Perfect over a dining table, an entryway or in large groupings.

FIXTURE TYPE

Ceiling

LIGHT SOURCE

High-output LED array

LIGHT CONTROL

Hard-wired, dimmable
Compatible with TRIAC/ELV dimmers
(0-10V dimming available upon request)

FEATURES

Ships flat-packed
Full-range dim with ELV dimmers
Fire retardant polyester fabric

SPECIFICATIONS

Voltage: 120-277V 50-60Hz
Power Consumption: 35W (24"), 80W (36")
Color Temperature: 2700K
Luminosity: 2500 Lumens (24"), 5600 Lumens (36")
Luminaire efficacy: 71 Lumens/Watt
Color Rendition Index: 85 CRI
50K hour lifespan

CERTIFICATIONS



PRODUCT CODES

Solis Drum 24 (White):	SOLI DR FSH 24 WHT
Solis Drum 24 (Black):	SOLI DR FSH 24 BLK
Solis Drum 24 (Silver):	SOLI DR FSH 24 SLV
Solis Drum 36 (White):	SOLI DR FSH 36 WHT
Solis Drum 36 (Black):	SOLI DR FSH 36 BLK
Solis Drum 36 (Silver):	SOLI DR FSH 36 SLV

PACKAGING WEIGHT AND DIMENSIONS

Solis Drum 24:	11LBS	26" X 26" X 6"
	5KGS	61cm X 61cm X 15cm
Solis Drum 36:	16.4LBS	38" X 38" X 8"
	7.5KGS	96.5cm X 96.5cm X 20.3cm

NOTES

Custom requests can be considered on volume orders
3000K, 3500k and other color temperatures available upon request

203 **Pablo**

AVAILABLE GLOBALLY



FINISHES



WHITE



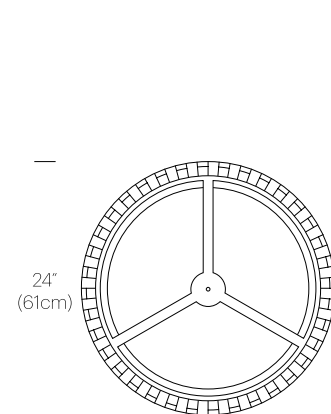
BLACK



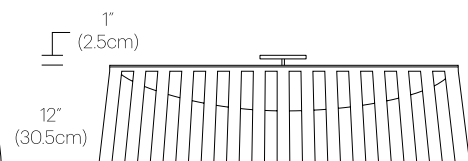
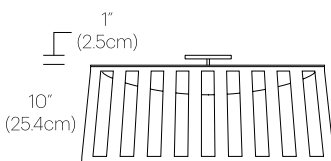
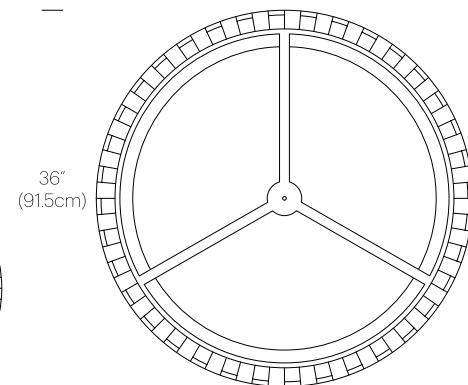
SILVER

DIMENSIONS

SOLIS DRUM 24



SOLIS DRUM 36



Pablo 204

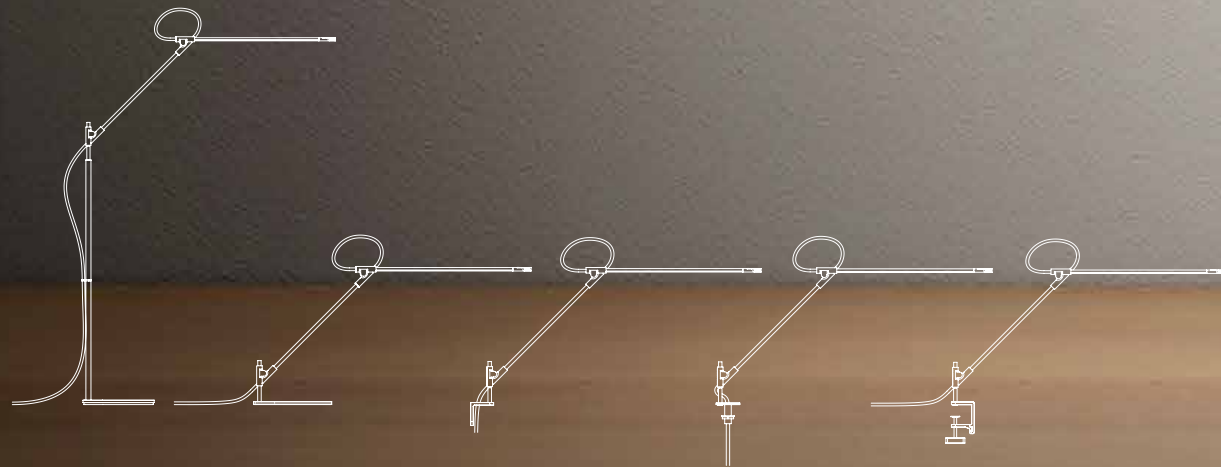


SUPERLIGHT

Superlight balances the demands of both workplace and home with a combination of minimal form and maximal function. Superlight is a task light reduced to its essence. A gestural line in space resulting in a precise yet playful structure defying gravity with an appearance of near weightlessness. Superlight achieves fluid, sweeping movement in every direction with a full 3-axis range of motion providing warm, glare-free LED light exactly where you need it. Superlight is available as a desk, floor, wall, clamp or grommet mounted fixture.

Designers:
Peter Stathis + Matthew Boyko 2017

Awards:
2017 Good Design Award
2017 Finalist HIP Award



SUPERLIGHT TABLE

DESCRIPTION

Superlight balances the demands of both workplace and home with a combination of minimal form and maximal function. Superlight is a task light reduced to its essence. A gestural line in space resulting in a precise yet playful structure defying gravity with an appearance of near weightlessness. Superlight achieves fluid, sweeping movement in every direction with a full 3-axis range of motion providing warm, glare-free LED light exactly where you need it. Superlight is available as a desk, floor, wall, clamp or grommet mounted fixture.

FIXTURE TYPE

Table

LIGHT SOURCE

High-output LED array

LIGHT CONTROL

Full range dim control

FEATURES

- 3-axis rotation at each joint
- Ultra-light minimal frame
- 4 colored base pads
- Advanced LED array eliminates multiple shadows
- Ships flat-packed

SPECIFICATIONS

- Voltage: 120-240V 50-60Hz
- Power consumption: 8.5W
- Color temperature: 3000K
- Luminosity: 700 Lumens
- Luminaire efficacy: 81 Lumens/watt
- Color rendition index: 85+
- 50K hour lifespan
- Cable length: 9' (274cm)
- Global multi-plug adapter available
- Title 20 compliant
- Patent pending

CERTIFICATIONS



PRODUCT CODES

Superlight Table (White):	SUPE TBL WHT
Superlight Table (Black):	SUPE TBL BLK
Superlight Clamp (White):	SUPE CLP WHT
Superlight Clamp (Black):	SUPE CLP BLK
Superlight Grommet (White):	SUPE GROM WHT
Superlight Grommet (Black):	SUPE GROM BLK
Superlight Wall (White):	SUPE WALL WHT
Superlight Wall (Black):	SUPE WALL BLK

PACKAGING WEIGHT AND DIMENSIONS

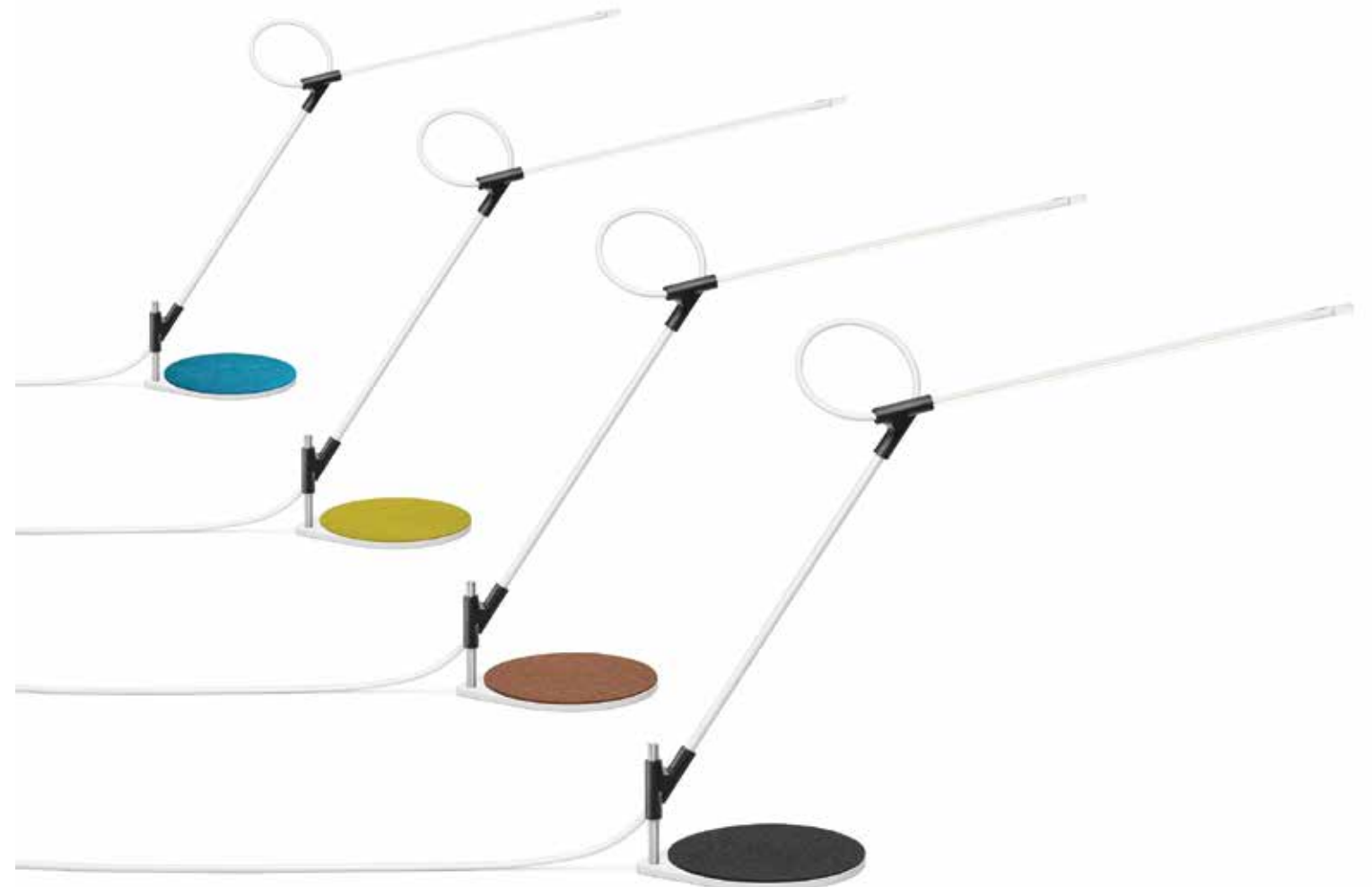
Superlight Table:	8.3LBS	28" X 9" X 3.5"
	3.7KGS	71cm X 23cm X 9cm

NOTES

Custom requests can be considered on volume orders

209 **Pablo**

AVAILABLE GLOBALLY

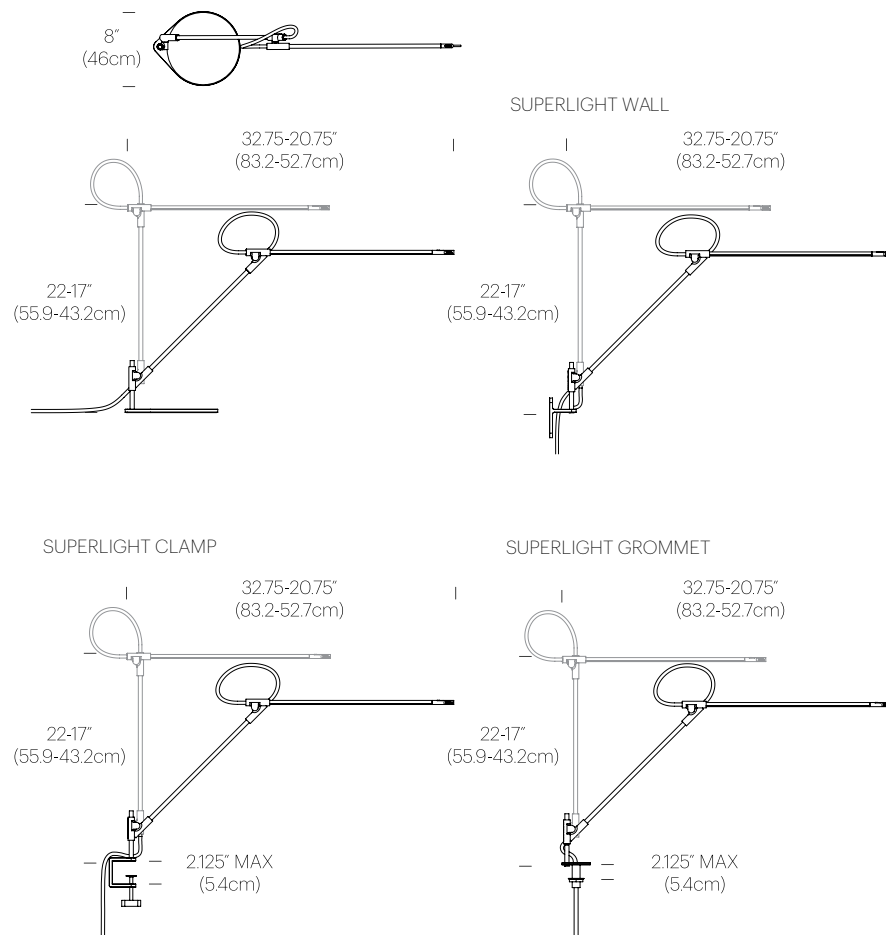


FINISHES



DIMENSIONS

SUPERLIGHT TABLE



Pablo 210

SUPERLIGHT FLOOR

DESCRIPTION

Superlight balances the demands of both workplace and home with a combination of minimal form and maximal function. Superlight is a task light reduced to its essence. A gestural line in space resulting in a precise yet playful structure defying gravity with an appearance of near weightlessness. Superlight achieves fluid, sweeping movement in every direction with a full 3-axis range of motion providing warm, glare-free LED light exactly where you need it. Superlight is available as a desk, floor, wall, clamp or grommet mounted fixture.

FIXTURE TYPE

Floor

LIGHT SOURCE

High-output LED array

LIGHT CONTROL

Full range dim control

FEATURES

- 3-axis rotation at each joint
- Ultra-light minimal frame
- Felt base pad
- Advanced LED array eliminates multiple shadows
- Ships flat-packed

SPECIFICATIONS

- Voltage: 120-240V 50-60Hz
- Power consumption: 8.5W
- Color temperature: 3000K
- Luminosity: 700 Lumens
- Luminaire efficacy: 81 Lumens/watt
- Color rendition index: 85+
- 50K hour lifespan
- Cable length: 9' (274cm)
- Global multi-plug adapter available
- Title 20 compliant
- Patent pending

CERTIFICATIONS



PRODUCT CODES

Superlight Floor (White):	SUPE FLR WHT
Superlight Floor (Black):	SUPE FLR BLK

PACKAGING WEIGHT AND DIMENSIONS

Superlight Floor:	12.5LBS	28" X 9" X 3.5"
	5.7KGS	71cm X 23cm X 9cm

NOTES

Custom requests can be considered on volume orders



FINISHES



WHITE



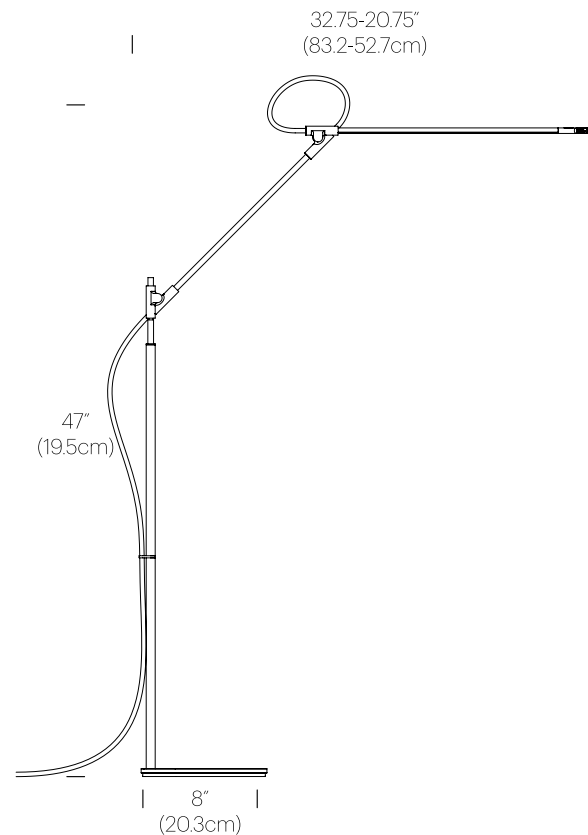
BLACK



CHARCOAL

DIMENSIONS

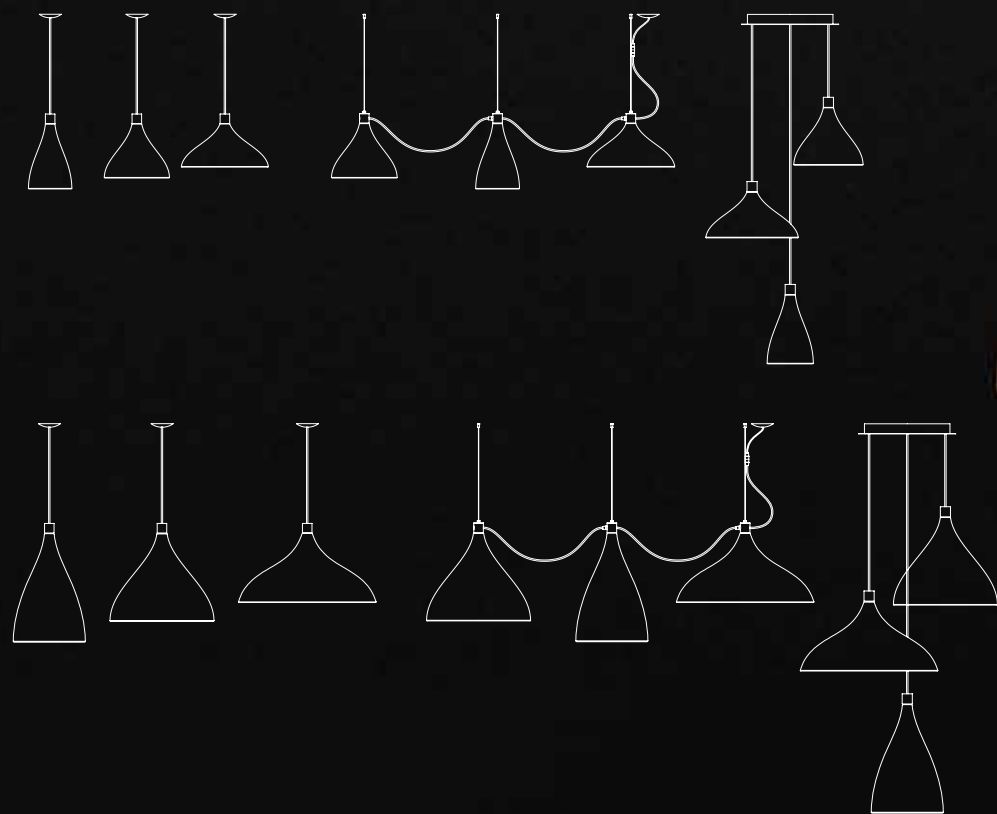
SUPERLIGHT FLOOR



SWELL/SWELL XL

Elegant and infinitely flexible, Swell is a modular LED lighting system designed to seamlessly blend the line between indoor and outdoor lighting. Formed from spun aluminum, Swell's 3 shade designs pair fluid, undulating lines with a radiant brass interior and can be mixed and matched to create dynamic groupings. Swell can be suspended individually, as a chandelier or as inter-connectable shade strings to perfectly complement residential, commercial, lounge and hospitality settings alike. Swell is also available in stunning XL sizes for spaces that demand exceptional scale.

Designer:
Pablo Studio 2015



SWELL SINGLE

DESCRIPTION

Elegant with undulating contours, Swell Single is an LED pendant designed to seamlessly blend the line between indoor and outdoor lighting. Swell single can be suspended individually or as a chandelier grouping to perfectly complement residential, commercial, lounge and hospitality settings alike. Swell is also available in stunning XL sizes for spaces that demand exceptional scale.

FIXTURE TYPE

Pendant

LIGHT SOURCE

(1) 3000K E26 base 13W PAR30 LED bulb: 1050lm

LIGHT CONTROL

Hard-wired, dimmable (Compatible with TRIAC/ELV dimmers)

FEATURES

Fully dimmable
For indoor and outdoor use
Damp rated

SPECIFICATIONS

Voltage: 120V or 240V 60Hz
Power consumption: 13W
Color temperature: 3000K
Luminosity: 1050 Lumens
Luminaire efficacy: 81 Lumens/Watt
Color Rendition Index: 82 CRI
40K hour lifespan
Cable length: 10' (305cm)
Title 20/Title 24 compliant
Dark Sky compliant

CERTIFICATIONS



PRODUCT CODES

Swell Single Narrow (White/Brass):	SWEL SNG NRW WHT/BRA
Swell Single Narrow (Black/Brass):	SWEL SNG NRW BLK/BRA
Swell Single Narrow (Brass/Brass):	SWEL SNG NRW BRA/BRA
Swell Single Medium (White/Brass):	SWEL SNG MED WHT/BRA
Swell Single Medium (Black/Brass):	SWEL SNG MED BLK/BRA
Swell Single Medium (Brass/Brass):	SWEL SNG MED BRA/BRA
Swell Single Wide (White/Brass):	SWEL SNG WID WHT/BRA
Swell Single Wide (Black/Brass):	SWEL SNG WID BLK/BRA
Swell Single Wide (Brass/Brass):	SWEL SNG WID BRA/BRA
Swell Single XL Narrow (White/Brass):	SWEL SNG XL NRW WHT/BRA
Swell Single XL Narrow (Black/Brass):	SWEL SNG XL NRW BLK/BRA
Swell Single XL Narrow (Brass/Brass):	SWEL SNG XL NRW BRA/BRA
Swell Single XL Medium (White/Brass):	SWEL SNG XL MED WHT/BRA
Swell Single XL Medium (Black/Brass):	SWEL SNG XL MED BLK/BRA
Swell Single XL Medium (Brass/Brass):	SWEL SNG XL MED BRA/BRA
Swell Single XL Wide (White/Brass):	SWEL SNG XL WID WHT/BRA
Swell Single XL Wide (Black/Brass):	SWEL SNG XL WID BLK/BRA
Swell Single XL Wide (Brass/Brass):	SWEL SNG XL WID BRA/BRA

PACKAGING WEIGHT AND DIMENSIONS

Swell Narrow:	6LBS	17" X 17" X 15"
	2.7KGS	43cm X 43cm X 38cm
Swell Medium:	6LBS	17" X 17" X 15"
	2.7KGS	43cm X 43cm X 38cm
Swell Wide:	6LBS	17" X 17" X 15"
	2.7KGS	43cm X 43cm X 38cm
Swell XL Narrow:	6.6LBS	14" X 14" X 20"
	2.7KGS	36cm X 36cm X 51cm
Swell XL Medium:	7.6LBS	20" X 20" X 18"
	3.4KGS	51cm X 51cm X 46cm
Swell XL Wide:	10LBS	26" X 26" X 14"
	4.5KGS	66cm X 66cm X 36cm

NOTES

Custom requests can be considered on volume orders

215 Pablo

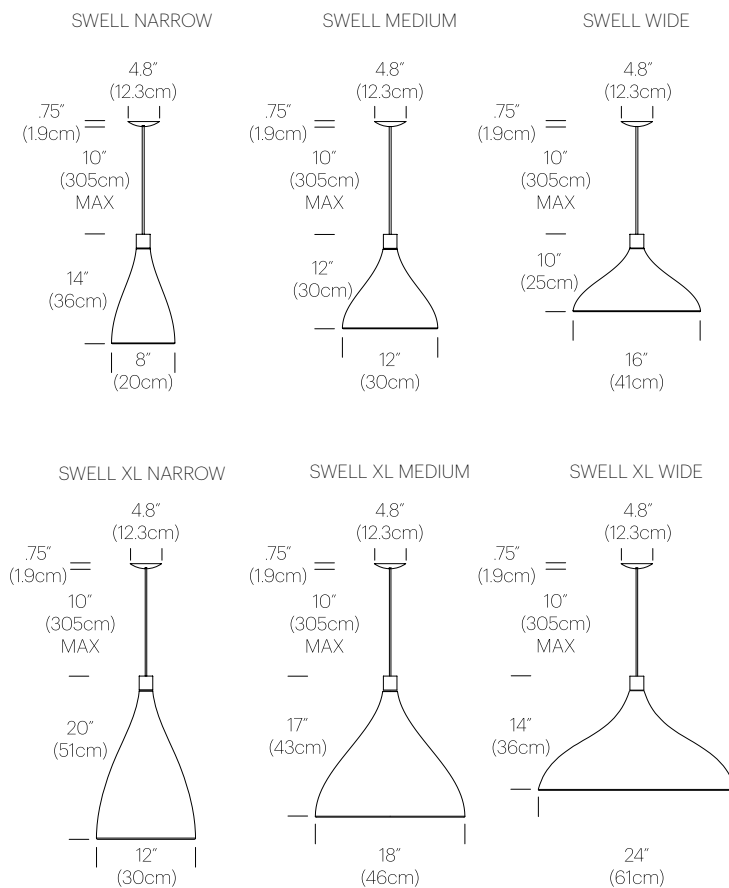
AVAILABLE GLOBALLY



FINISHES



DIMENSIONS



Pablo 216

SWELL STRING 3 MIXED

DESCRIPTION

Elegant and infinitely flexible, Swell String is a modular LED lighting system designed to seamlessly blend the line between indoor and outdoor lighting. Swell String's three shade design can be mixed and matched to create dynamic groupings. Swell String can be suspended both vertically and horizontally in configurations of up to (34) lamps from a single power source to perfectly complement residential, commercial, lounge and hospitality settings alike. Swell is also available in stunning XL sizes for spaces that demand exceptional scale.

FIXTURE TYPE

Pendant

LIGHT SOURCE

(1) 3000K E26 base 13W PAR30 LED bulb: 1050lm

LIGHT CONTROL

Hard-wired, dimmable (Compatible with TRIAC/ELV dimmers)

FEATURES

- Fully dimmable
- For indoor and outdoor use
- Damp rated
- Interconnectable sockets

SPECIFICATIONS

Voltage: 120V or 240V 60Hz
 Power consumption: 13W
 Color temperature: 3000K
 Luminosity: 1050 Lumens
 Luminaire efficacy: 81 Lumens/Watt
 Color Rendition Index: 82 CRI
 40K hour lifespan
 (3x) 10' (305cm) vertical mounting kit cable included
 30' (915cm) horizontal mounting kit cable sold separately
 8' (244cm) power feed cable and canopy included
 Horizontal mounting kit supports 12 lamps MAX
 MAX interconnected 14.5W lamps: 34
 Title 20/Title 24 compliant
 Dark Sky compliant

CERTIFICATIONS



PRODUCT CODES

Swell String Mixed (White/Brass)	SWEL STR MIX WHT/BRA
Swell String Mixed (Black/Brass)	SWEL STR MIX BLK/BRA
Swell String Mixed (Brass/Brass)	SWEL STR MIX BRA/BRA
Swell XL String Mixed (White/Brass)	SWEL STR XL MIX WHT/BRA
Swell XL String Mixed (Black/Brass)	SWEL STR XL MIX BLK/BRA
Swell XL String Mixed (Brass/Brass)	SWEL STR XL MIX BRA/BRA
Swell 12" Extension Cable (White)	SWEL STR ACCEXT 12 WHT
Swell 12" Extension Cable (Black)	SWEL STR ACCEXT 12 BLK
Swell Horizontal Mounting Kit	SWEL HRZ MOUNT

PACKAGING WEIGHT AND DIMENSIONS

Swell String 3 Mixed:	12.3LBS	16.5" X 16" X 14.5"
	5.6KGS	42cm X 41cm X 37cm
Swell XL Narrow:	6.6LBS	14" X 14" X 20"
	2.7KGS	36cm X 36cm X 51cm
Swell XL Medium:	7.6LBS	20" X 20" X 18"
	3.4KGS	51cm X 51cm X 46cm
Swell XL Wide:	10LBS	26" X 26" X 14"
	4.5KGS	66cm X 66cm X 36cm

NOTES

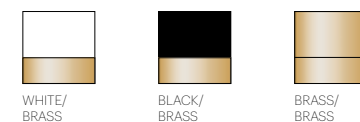
Custom requests can be considered on volume orders

217 Pablo

AVAILABLE GLOBALLY

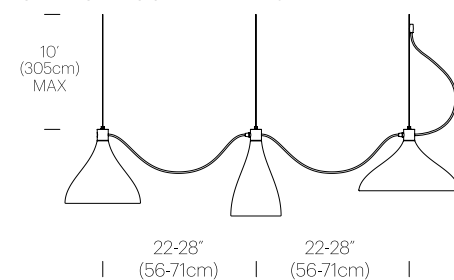


FINISHES

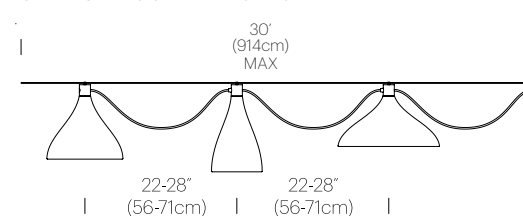


DIMENSIONS

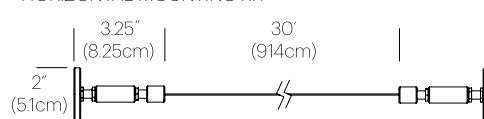
SWELL STRING 3 MIXED VERTICAL



SWELL STRING 3 MIXED HORIZONTAL



HORIZONTAL MOUNTING KIT



12" JUMPER CABLE



Pablo 218

SWELL STRING SINGLE

DESCRIPTION

Elegant and infinitely flexible, Swell String Single is a modular LED lighting system designed to seamlessly blend the line between indoor and outdoor lighting. Swell String Single allows infinite customization, pick your own collection to create a dramatic and personal grouping to fit any environment. Swell String Single can be suspended both vertically and horizontally in configurations of up to (34) lamps from a single power source to perfectly complement residential, commercial, lounge and hospitality settings alike. Swell is also available in stunning XL sizes for spaces that demand exceptional scale.

FIXTURE TYPE

Pendant

LIGHT SOURCE

(1) 3000K E26 base 13W PAR30 LED bulb: 1050lm

LIGHT CONTROL

Hard-wired, dimmable (Compatible with TRIAC/ELV dimmers)

FEATURES

Fully dimmable
For indoor and outdoor use
Damp rated
Interconnectable sockets

SPECIFICATIONS

Voltage: 120V or 240V 60Hz
Power consumption: 13W
Color temperature: 3000K
Luminosity: 1050 Lumens
Luminaire efficacy: 81 Lumens/Watt
Color Rendition Index: 82 CRI
40K hour lifespan
(1x) 10' (305cm) vertical mounting kit cable included
30' (915cm) horizontal mounting kit cable sold separately
8' (244cm) power feed cable and canopy sold separately
Horizontal mounting kit supports 12 lamps MAX
MAX interconnected 14.5W lamps: 34
Title 20/Title 24 compliant
Dark Sky compliant

CERTIFICATIONS



PRODUCT CODES

Swell String Single Narrow (White/Brass):	SWEL STR SNG NRW WHT/BRA
Swell String Single Narrow (Black/Brass):	SWEL STR SNG NRW BLK/BRA
Swell String Single Narrow (Brass/Brass):	SWEL STR SNG NRW BRA/BRA
Swell String Single Medium (White/Brass):	SWEL STR SNG MED WHT/BRA
Swell String Single Medium (Black/Brass):	SWEL STR SNG MED BLK/BRA
Swell String Single Medium (Brass/Brass):	SWEL STR SNG MED BRA/BRA
Swell String Single Wide (White/Brass):	SWEL STR SNG XL WID WHT/BRA
Swell String Single Wide (Black/Brass):	SWEL STR SNG XL WID BLK/BRA
Swell String Single Wide (Brass/Brass):	SWEL STR SNG XL WID BRA/BRA
Swell XL String Single Narrow (White/Brass):	SWEL STR SNG XL NRW WHT/BRA
Swell XL String Single Narrow (Black/Brass):	SWEL STR SNG XL NRW BLK/BRA
Swell XL String Single Narrow (Brass/Brass):	SWEL STR SNG XL NRW BRA/BRA
Swell XL String Single Medium (White/Brass):	SWEL STR SNG XL MED WHT/BRA
Swell XL String Single Medium (Black/Brass):	SWEL STR SNG XL MED BLK/BRA
Swell XL String Single Medium (Brass/Brass):	SWEL STR SNG XL MED BRA/BRA
Swell XL String Single Wide (White/Brass):	SWEL STR SNG XL WID WHT/BRA
Swell XL String Single Wide (Black/Brass):	SWEL STR SNG XL WID BLK/BRA
Swell XL String Single Wide (Brass/Brass):	SWEL STR SNG XL WID BRA/BRA
Swell Power Feed and Canopy (White):	SWEL STR ACC KIT WHT
Swell Power Feed and Canopy (Black):	SWEL STR ACC KIT BLK
Swell 12" Extension Cable (White):	SWEL STR ACC EXT 12 WHT
Swell 12" Extension Cable (Black):	SWEL STR ACC EXT 12 BLK
Swell Horizontal Mounting Kit:	SWEL HRZ MOUNT

PACKAGING WEIGHT AND DIMENSIONS

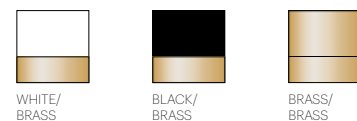
Swell String Single:	5.25LBS	15.5" X 16" X 14.5"
	2.4KGS	39cm X 41cm X 37cm

NOTES

Custom requests can be considered on volume orders

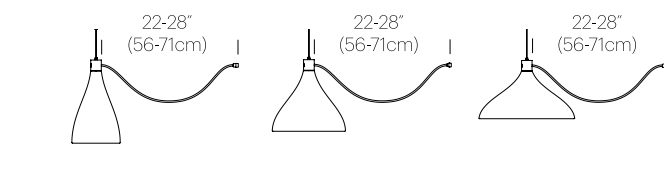


FINISHES

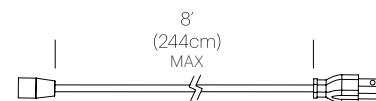


DIMENSIONS

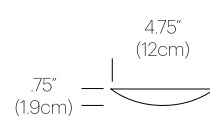
SWELL STRING SINGLE



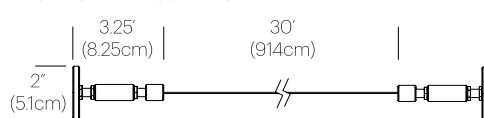
POWER FEED CABLE



CANOPY



HORIZONTAL MOUNTING KIT



12" JUMPER CABLE



SWELL CHANDELIER

DESCRIPTION

Elegant with undulating contours, Swell Chandelier is an LED chandelier designed to seamlessly blend the line between indoor and outdoor lighting. Swell Chandelier is available in groupings of 3 and 6 lamps, creating a dramatic and personal grouping to fit any environment. Swell is also available in stunning XL sizes for spaces that demand exceptional scale.

FIXTURE TYPE

Pendant

LIGHT SOURCE

(1) 3000K E26 base 13W PAR30 LED bulb: 1050lm per lamp

LIGHT CONTROL

Hard-wired, dimmable
Compatible with TRIAC/ELV dimmers

FEATURES

Fully dimmable
For indoor and outdoor use
Damp rated

SPECIFICATIONS

Voltage: 120V or 240V 60Hz
Power consumption: 13W per lamp
Color temperature: 3000K
Luminosity: 1050 Lumens per lamp
Luminaire efficacy: 81 Lumens/Watt
Color Rendition Index: 82 CRI
40K hour lifespan
Cable length: 10' (305cm)
Title 20/Title 24 compliant
Dark Sky compliant

CERTIFICATIONS



PRODUCT CODES

Swell Chandelier 3 (White/Brass):	SWEL SNG NRW WHT/BRA
Swell Chandelier 3 (Black/Brass):	SWEL SNG NRW BLK/BRA
Swell Chandelier 3 (Brass/Brass):	SWEL SNG NRW BRA/BRA
Swell Chandelier 6 (White/Brass):	SWEL SNG MED WHT/BRA
Swell Chandelier 6 (Black/Brass):	SWEL SNG MED BLK/BRA
Swell Chandelier 6 (Brass/Brass):	SWEL SNG MED BRA/BRA
Swell Single XL Narrow (White/Brass):	SWEL SNG XL NRW WHT/BRA
Swell Single XL Narrow (Black/Brass):	SWEL SNG XL NRW BLK/BRA
Swell Single XL Narrow (Brass/Brass):	SWEL SNG XL NRW BRA/BRA
Swell Single XL Medium (White/Brass):	SWEL SNG XL MED WHT/BRA
Swell Single XL Medium (Black/Brass):	SWEL SNG XL MED BLK/BRA
Swell Single XL Medium (Brass/Brass):	SWEL SNG XL MED BRA/BRA
Swell Single XL Wide (White/Brass):	SWEL SNG XL WID WHT/BRA
Swell Single XL Wide (Black/Brass):	SWEL SNG XL WID BLK/BRA
Swell Single XL Wide (Brass/Brass):	SWEL SNG XL WID BRA/BRA
17" Chandelier Canopy:	CHND CAN 17
26" Chandelier Canopy:	CHND CAN 26

PACKAGING WEIGHT AND DIMENSIONS

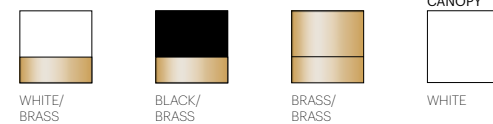
Swell Single:	5.25LBS 2.4KGS	15.5" X 16" X 14.5" 39cm X 41cm X 37cm
Swell XL Narrow:	6.6LBS 2.7KGS	14" X 14" X 20" 36cm X 36cm X 51cm
Swell XL Medium:	7.6LBS 3.4KGS	20" X 20" X 18" 51cm X 51cm X 46cm
Swell XL Wide:	10LBS 4.5KGS	26" X 26" X 14" 66cm X 66cm X 36cm
Chandelier canopy 26":	30LBS 13.6KGS	32" X 32" X 6" 81cm X 81cm X 15cm
Chandelier canopy 17":	15LBS 6.8KGS	22" X 22" X 6" 56cm X 56cm X 15cm

NOTES

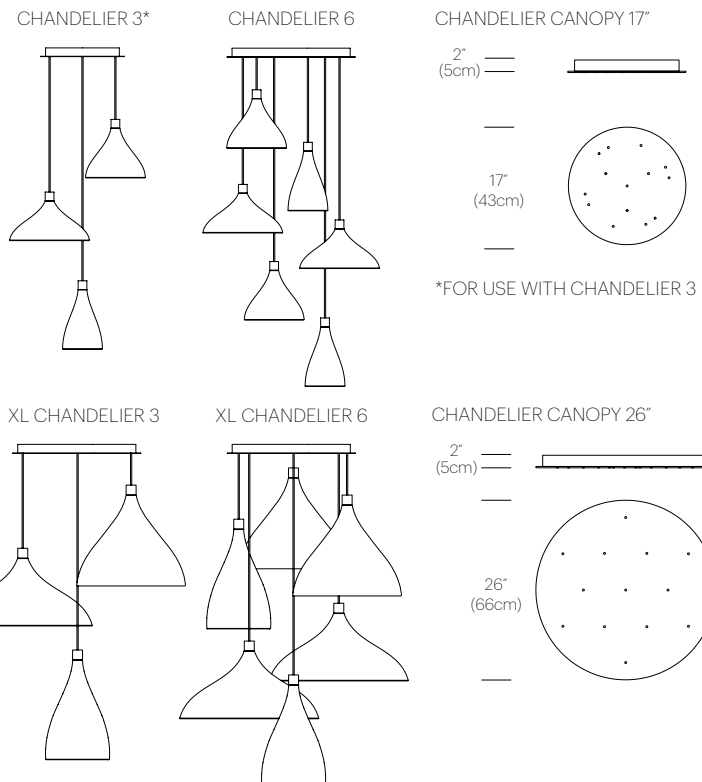
Custom requests can be considered on volume orders



FINISHES



DIMENSIONS



TALIA

Talia's refined and compact design embraces only the essential elements to fulfill its purpose. Smart and powerful, Talia is designed for maximum light control, pairing fully dimmable and glare-free flat panel technology with 360° post rotation and 180° shade rotation to satisfy both task and ambient lighting needs alike. Talia Table also features wireless induction charging to accommodate mobile devices + USB port for added convenience. Available in both Table and Floor standing models, Talia is offered in 6 elegant colorway and metallic accent combinations to provide a refined touch to any setting and decor.

Designer:
Pablo Pardo + Carmine Deganello + Pablo Studio 2020

Awards:
2021 European Product Design Award



TALIA TABLE

DESCRIPTION

Talia's refined and compact design embraces only the essential elements to fulfill its purpose. Smart and powerful, Talia is designed for maximum light control, pairing fully dimmable and glare-free flat panel technology with 360° post rotation and 180° shade rotation to satisfy both task and ambient lighting needs alike. Talia Table also features wireless induction charging to accommodate mobile devices + USB port for added convenience. Available in both Table and Floor standing models, Talia is offered in 6 elegant colorway and metallic accent combinations to provide a refined touch to any setting and decor.

FIXTURE TYPE

Table

LIGHT SOURCE

Flat Panel LED

LIGHT CONTROL

Optical switch

Full range dimming (100-10%)

2-stage dimming (100/40%)

FEATURES

Wireless charging w/ indicator light

USB charging port

360° post rotation

180° shade rotation

ADA compliant

6 hour auto off

SPECIFICATIONS

Voltage: 120/240V 50-60Hz

Power Consumption: 5.1W MAX

Color temperature: 3000K

Luminosity: 350 Lumens

Luminaire efficacy: 51 Lumens/Watt

Color Rendition Index: 90 CRI

Cable length: 6'(183cm)

Power supply: 24W

CERTIFICATIONS



PRODUCT CODES

Talia Table (Black):	TALI TBL BLK
Talia Table (Black/Brass):	TALI TBL BLK/BRA
Talia Table (Grey):	TALI TBL GRY
Talia Table (Grey/Silver):	TALI TBL GRY/SLV
Talia Table (White):	TALI TBL WHT
Talia Table (White/Silver):	TALI TBL WHT/SLV

PACKAGING WEIGHT AND DIMENSIONS

Talia Table:	3.2LBS	18" X 8.1" X 2.2"
	1.5KGS	46cm X 20.5cm X 6cm

NOTES

Custom requests can be considered on volume orders

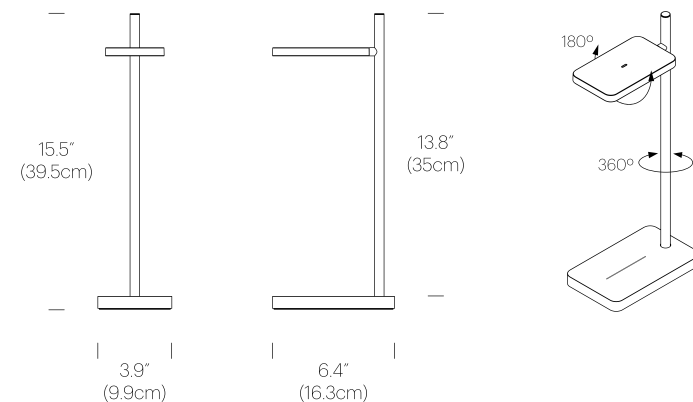


FINISHES



DIMENSIONS

TALIA TABLE



TALIA FLOOR

DESCRIPTION

Talia's refined and compact design embraces only the essential elements to fulfill its purpose. Smart and powerful, Talia is designed for maximum light control, pairing fully dimmable and glare-free flat panel technology with 360° post rotation and 180° shade rotation to satisfy both task and ambient lighting needs alike. Talia is offered in 6 elegant colorway and metallic accent combinations to provide a refined touch to any setting and decor.

FIXTURE TYPE

Floor

LIGHT SOURCE

Flat panel LED

LIGHT CONTROL

Optical switch
Full range dimming (100-10%)
2-stage dimming (100/40%)

FEATURES

360° post rotation
180° shade rotation
ADA compliant
Flat Panel LED
6 hour auto off

SPECIFICATIONS

Voltage: 120/240V 50-60Hz
Power Consumption: 5.1W MAX
Color temperature: 3000K
Luminosity: 350 Lumens
Luminaire efficacy: 51 Lumens/Watt
Color Rendition Index: 90 CRI
Cable length: 6'(183cm)
Power supply: 24W

CERTIFICATIONS



PRODUCT CODES

Talia Floor (Black):	TALI FLR BLK
Talia Floor (Black/Brass):	TALI FLR BLK/BRA
Talia Floor (Grey):	TALI FLR GRY
Talia Floor (Grey/Silver):	TALI FLR GRY/SLV
Talia Floor (White):	TALI FLR WHT
Talia Floor (White/Silver):	TALI FLR WHT/SLV

PACKAGING WEIGHT AND DIMENSIONS

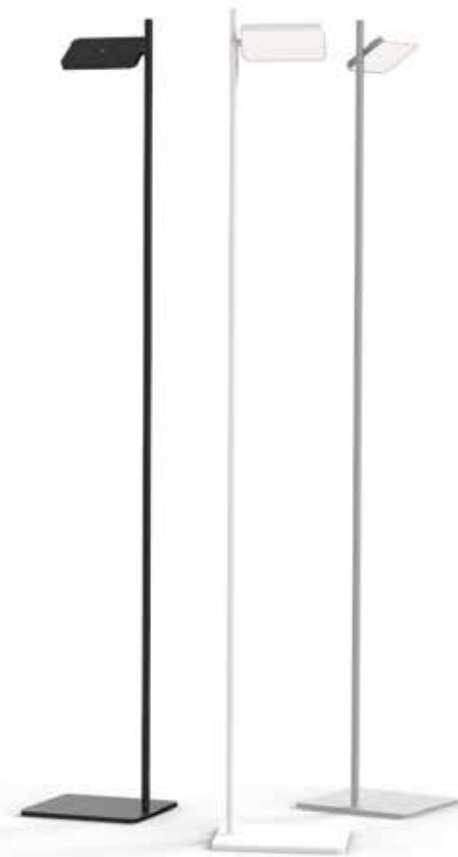
Talia Floor:	7.5LBS	33.2" X 11.9" X 2.1"
	3.5KGS	84cm X 30cm X 5.3cm

NOTES

Custom requests can be considered on volume orders

227 Pablo

AVAILABLE GLOBALLY

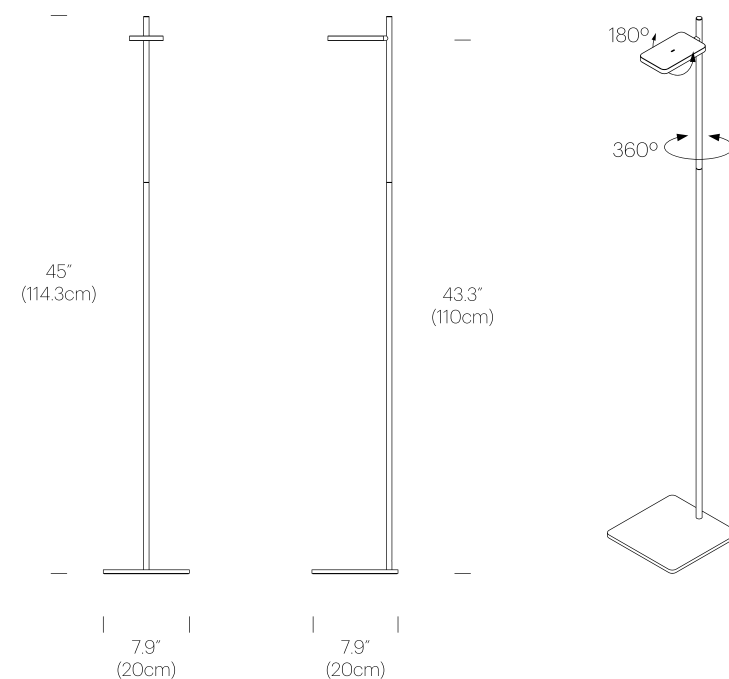


FINISHES



DIMENSIONS

TALIA FLOOR

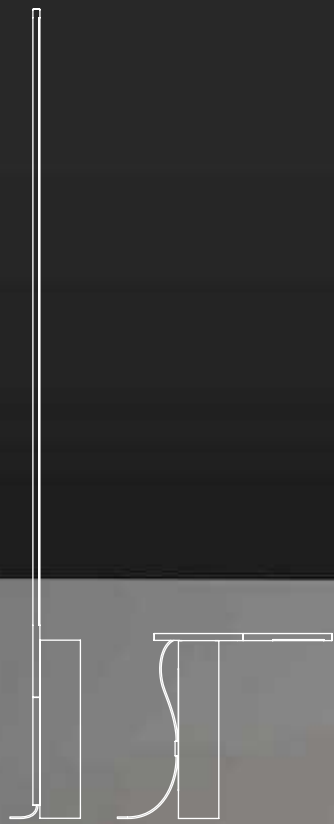
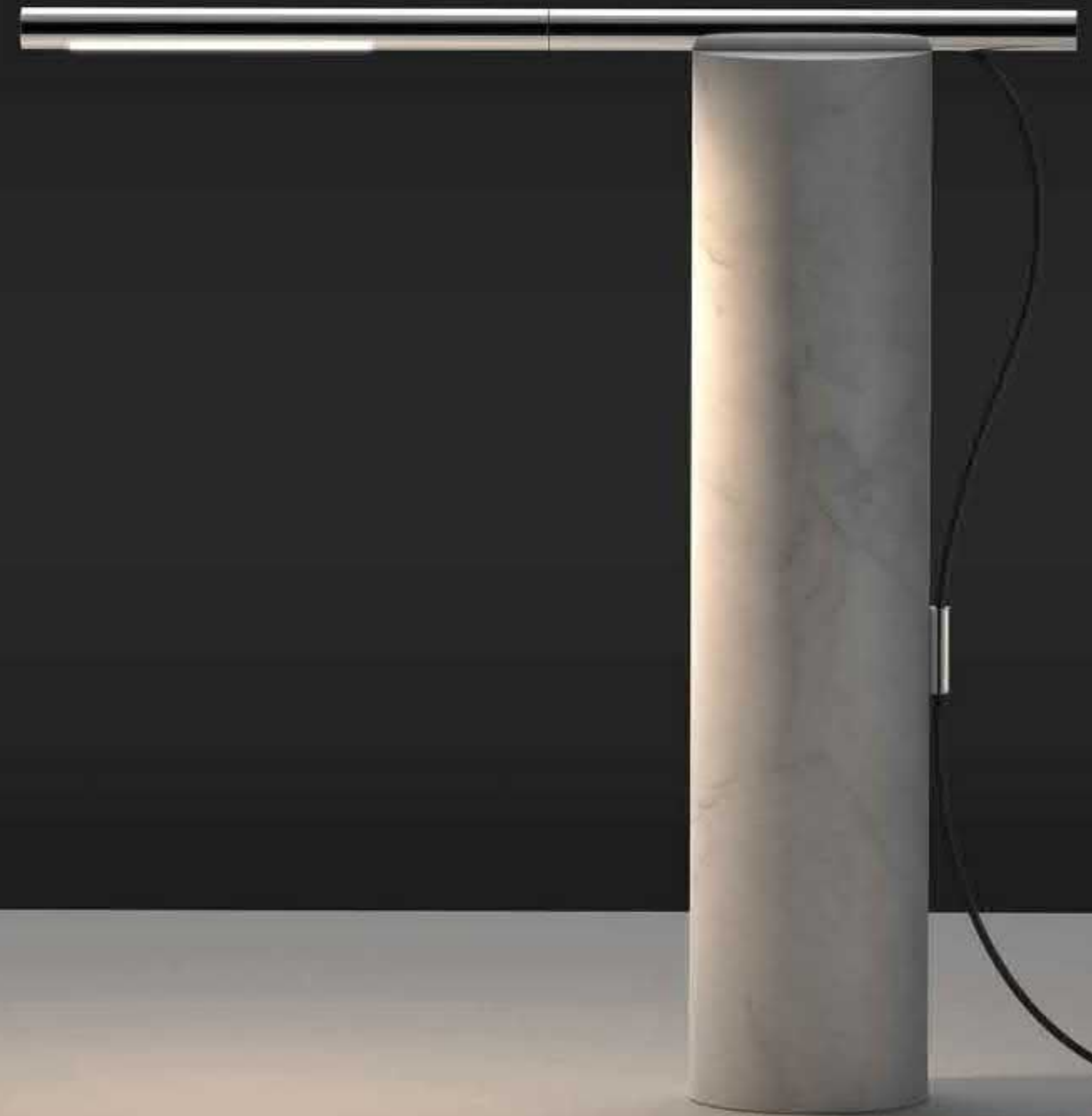


Pablo 228

T.O

T.O celebrates and reinforces the importance of light as a pillar of our daily life. A monolithic column stands to support a horizontal and vertical line of light to provide precise light control in all directions. T.O embodies a harmonious dialogue between solidity and lightness offering unlimited contexts for use in residential and workplace environments, all within a minimal footprint. T.O features a fully dimmable LED light source with tactile push switch appropriately positioned at the end of arm. Both table and floor versions feature a magnetically attached light arm over a marble cylinder base while the light wand can be rotated up to 360 degrees to provide both direct and indirect light for task and ambient lighting needs alike. T.O is offered in 2 marble base finishes in Marquina black and Carrara white while the light arm is elegantly contrasted in polished surfaces in brass and chrome. T.O is a seamless integration of functional lighting and sculpture.

Designer:
Carmine Deganello + Pablo Studio 2021



T.O TABLE

DESCRIPTION

T.O celebrates and reinforces the importance of light as a pillar of our daily life. A monolithic column stands to support a horizontal and vertical line of light to provide precise light control in all directions. T.O embodies a harmonious dialogue between solidity and lightness offering unlimited contexts for use in residential and workplace environments, all within a minimal footprint. T.O features a fully dimmable LED light source with tactile push switch appropriately positioned at the end of arm. Both table and floor versions feature a magnetically attached light arm over a marble cylinder base while the light wand can be rotated up to 360 degrees to provide both direct and indirect light for task and ambient lighting needs alike. T.O is offered in 2 matte base finishes in Marquina black and Carrara white while the light arm is elegantly contrasted in polished surfaces in brass and chrome. T.O is a seamless integration of functional lighting and sculpture.

FIXTURE TYPE

Table

LIGHT SOURCE

High output LED array

LIGHT CONTROL

Mechanical push button
Full range dimming (100-10%)
2-stage dimming (100/40%)

FEATURES

360° arm rotation
Advanced LED array eliminates multiple shadows

SPECIFICATIONS

Voltage: 120-240V 50/60Hz
Power Consumption: 4.5W
Color Temperature: 3000K
Luminosity: 300 Lumens
Luminaire efficacy: 67 Lumens/Watt
Color Rendition Index: 90 CRI
Cord length: 6' (1.8m)

CERTIFICATIONS



PRODUCT CODES

T.O Table (Black/Brass):	TO TBL BLK/BRA
T.O Table (Black/Chrome):	TO TBL BLK/CRM
T.O Table (White/Brass):	TO TBL WHT/BRA
T.O Table (White/Chrome):	TO TBL WHT/CRM

PACKAGING WEIGHT AND DIMENSIONS

T.O Table:	9.5LBS	6.25" X 6.25" X 16"
	2.3KGS	16cm X 16cm X 40cm

NOTES

Custom requests can be considered on volume orders



FINISHES

BASE



MARQUINA BLACK



CARRARA WHITE

ARM



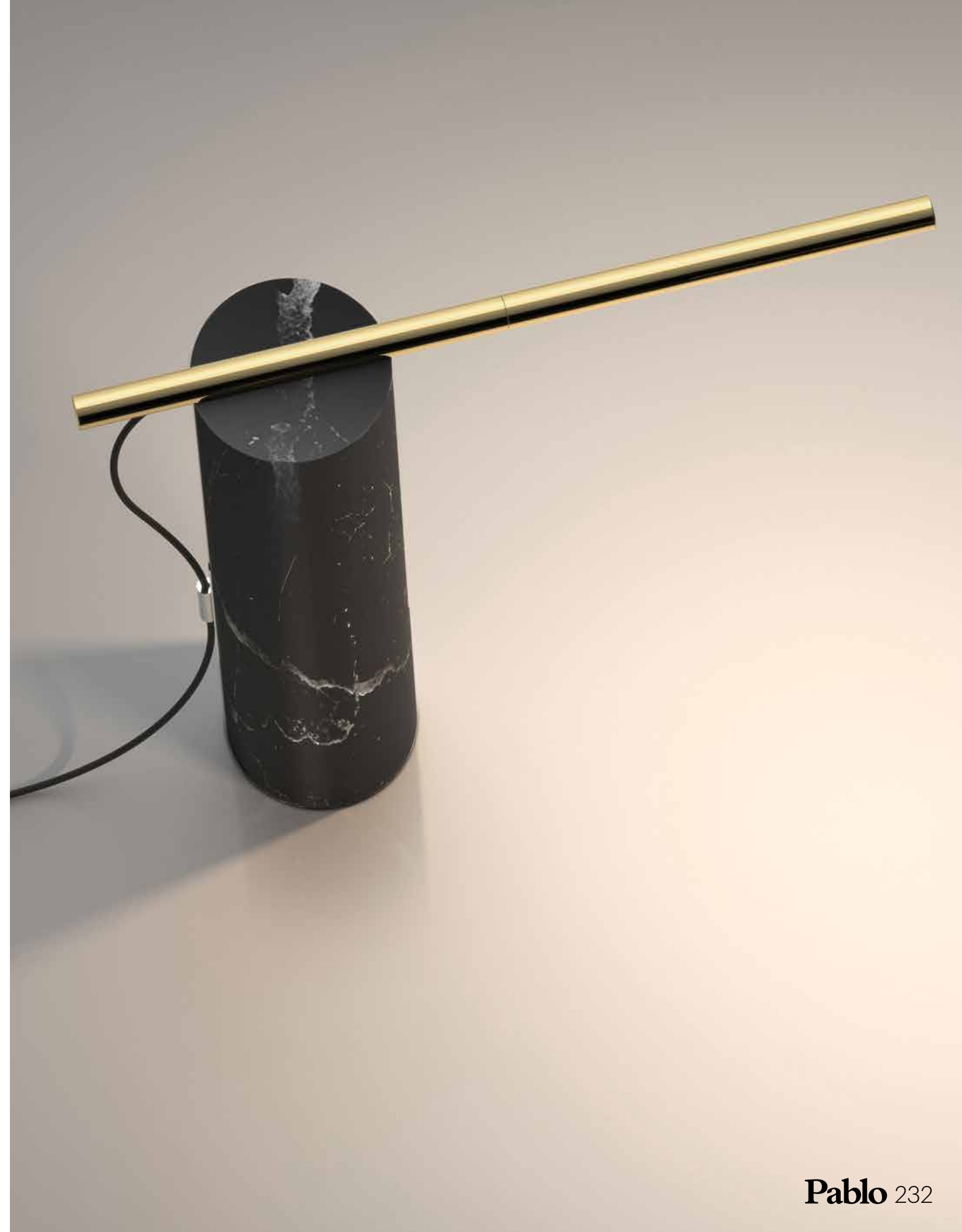
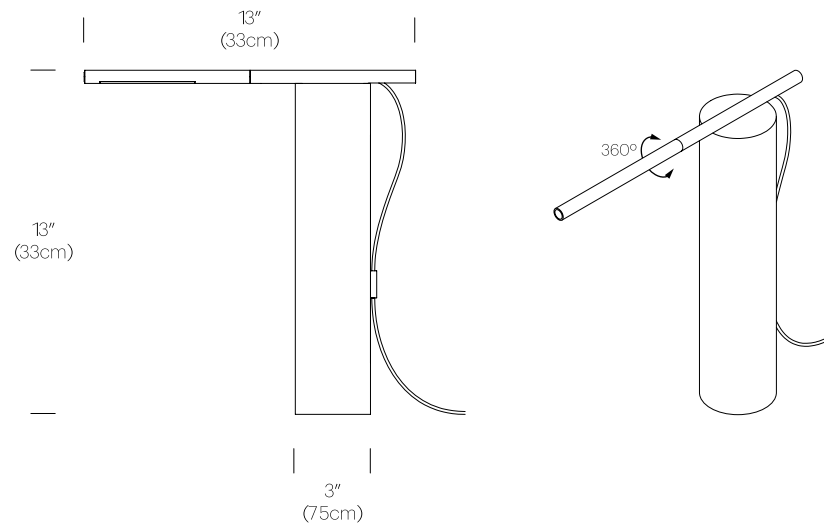
BRASS



CHROME

DIMENSIONS

T.O TABLE





T.O FLOOR

DESCRIPTION

T.O celebrates and reinforces the importance of light as a pillar of our daily life. A monolithic column stands to support a vertical line of light to provide precise light control. T.O embodies a harmonious dialogue between solidity and lightness offering unlimited contexts for use in residential and workplace environments, all within a minimal footprint. T.O features a fully dimmable LED light source with tactile push switch appropriately positioned at the end of arm. Both table and floor versions feature a magnetically attached light arm over a marble cylinder base while the light wand can be rotated up to 360 degrees to provide both direct and indirect light for task and ambient lighting needs alike. T.O is offered in 2 matte base finishes in Marquina black and Carrara white while the light arm is elegantly contrasted in polished surfaces in brass and chrome. T.O is a seamless integration of functional lighting and sculpture.

FIXTURE TYPE

Floor

LIGHT SOURCE

High output LED array

LIGHT CONTROL

Mechanical push button

Full range dimming (100-10%)

2-stage dimming (100/40%)

FEATURES

360° arm rotation

Advanced LED array eliminates multiple shadows

SPECIFICATIONS

Voltage: 120-240V 50/60Hz

Power Consumption: 10W

Color Temperature: 3000K

Luminosity: 750 Lumens

Luminaire efficacy: 75 Lumens/Watt

Color Rendition Index: 90 CRI

Cable Length: 6' (1.8m)

CERTIFICATIONS



PRODUCT CODES

T.O Floor (Black/Brass):	TO FLR BLK/BRA
T.O Floor (Black/Chrome):	TO FLR BLK/CRM
T.O Floor (White/Brass):	TO FLR WHI/BRA
T.O Floor (White/Chrome):	TO FLR WHI/CRM

PACKAGING WEIGHT AND DIMENSIONS

T.O Floor:	9.5LBS	6.25" X 6.25" X 16"
(Base)	2.3KGS	16cm X 16cm X 40cm
T.O Floor:	9.5LBS	6.25" X 6.25" X 16"
(Lamp Arm)	2.3KGS	16cm X 16cm X 40cm

NOTES

Custom requests can be considered on volume orders



FINISHES

BASE



MARQUINA BLACK



CARRARA WHITE

ARM



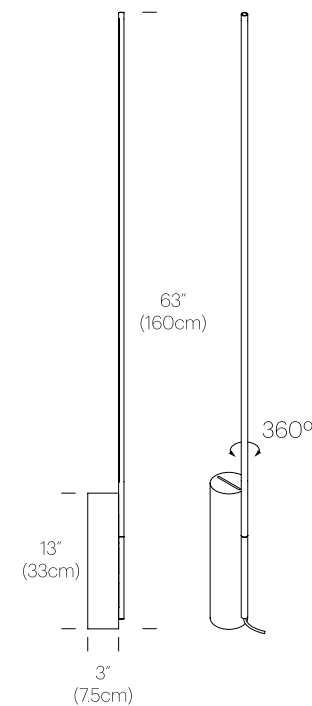
BRASS



CHROME

DIMENSIONS

TO FLOOR



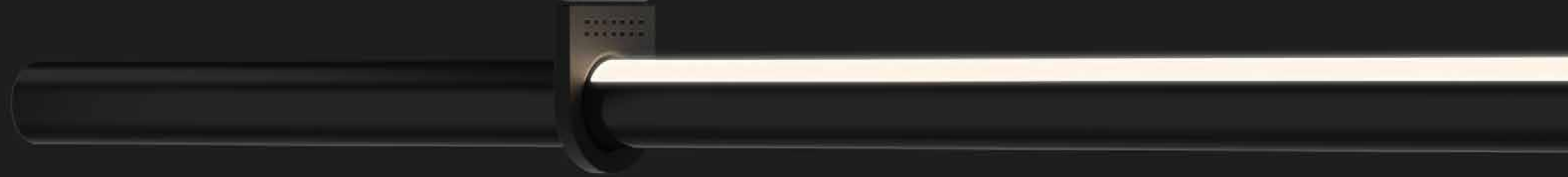
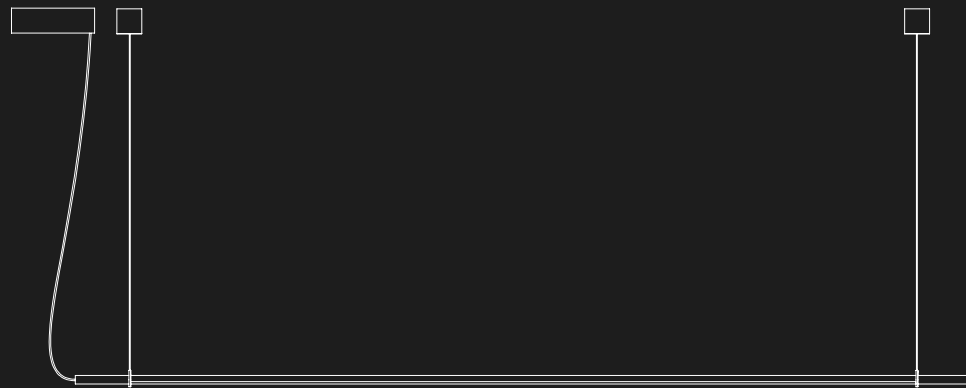


Minimalista

T.O PENDANT

T.O Pendant celebrates the importance of light as a pillar of daily life. T.O features an elegant wand of light suspended by two decorative woven nylon belts finished with over-molded features that allow for full 360-degree rotation to direct light in all directions. T.O Pendant can transform from a direct task-oriented light to indirect ambience with minimal effort. It's suspension system allows for ultimate freedom and creativity to suspend in a wide variety of configurations from a linear series, to multi-axis and multi-level groupings to create stunning displays for residential and workplace environments alike. T.O Pendant is offered in polished chrome, matte black, and matte grey finishes paired with suspension belts in burnt orange, graphite, and light grey and can be mixed and matched to any desire.

Designer:
Carmine Deganello + Pablo Studio 2023



T.O PENDANT

DESCRIPTION

T.O Pendant celebrates the importance of light as a pillar of daily life. T.O features an elegant wand of light suspended by two decorative woven nylon belts finished with over-molded features that allow for full 360-degree rotation to direct light in all directions. T.O Pendant can transform from a direct task-oriented light to indirect ambience with minimal effort. It's suspension system allows for ultimate freedom and creativity to suspend in a wide variety of configurations from a linear series, to multi-axis and multi-level groupings to create stunning displays for residential and workplace environments alike. T.O Pendant is offered in polished chrome, matte black, and matte grey finishes paired with colorful suspension belts in burnt orange, graphite, and light grey and can be mixed and matched to any desire.

FIXTURE TYPE

Pendant

LIGHT SOURCE

High output LED array

LIGHT CONTROL

Mechanical push button
Full range dimming (100-10%)
2-stage dimming (100/40%)

FEATURES

360° arm rotation
Advanced LED array eliminates multiple shadows

SPECIFICATIONS

Voltage: 120-277V 50/60Hz
Power Consumption: 10W
Color Temperature: 2700K
Beam Angle : 110°
Luminosity: 750 Lumens
Luminaire efficacy: 75 Lumens/Watt
Color Rendition Index: 90 CRI
Cable Length: 10' (3m)
Belt Length: 10' (3m)

CERTIFICATIONS



PRODUCT CODES

T.O Pendant (Black/Graphite):	TO PND BLK GPT
T.O Pendant (Black/Light Grey):	TO PND BLK GRY
T.O Pendant (Black/Burnt Orange):	TO PND BLK ORG
T.O Pendant (Chrome/Graphite):	TO PND CRM GPT
T.O Pendant (Chrome/Light Grey):	TO PND CRM GRY
T.O Pendant (Chrome/Burnt Orange):	TO PND CRM ORG
T.O Pendant (Grey/Graphite):	TO PND GRY GPT
T.O Pendant (Grey/Light Grey):	TO PND GRY GRY
T.O Pendant (Grey/Burnt Orange):	TO PND GRY ORG

PACKAGING WEIGHT AND DIMENSIONS

T.O Pendant:	2.5LBS	3" X 6" X 57"
(Lamp)	1.1KGS	7.6cm X 15cm X 145cm
T.O Pendant:	1.5LBS	10" X 8.25" X 4.3"
(Accessories)	.7KGS	25.5cm X 21cm X 11cm

NOTES

Custom requests can be considered on volume orders



FINISHES

SUSPENSION BELT



BURNT ORANGE



GRAPHITE



LIGHT GREY

LAMP



CHROME



MATTE BLACK



MATTE GREY

DIMENSIONS

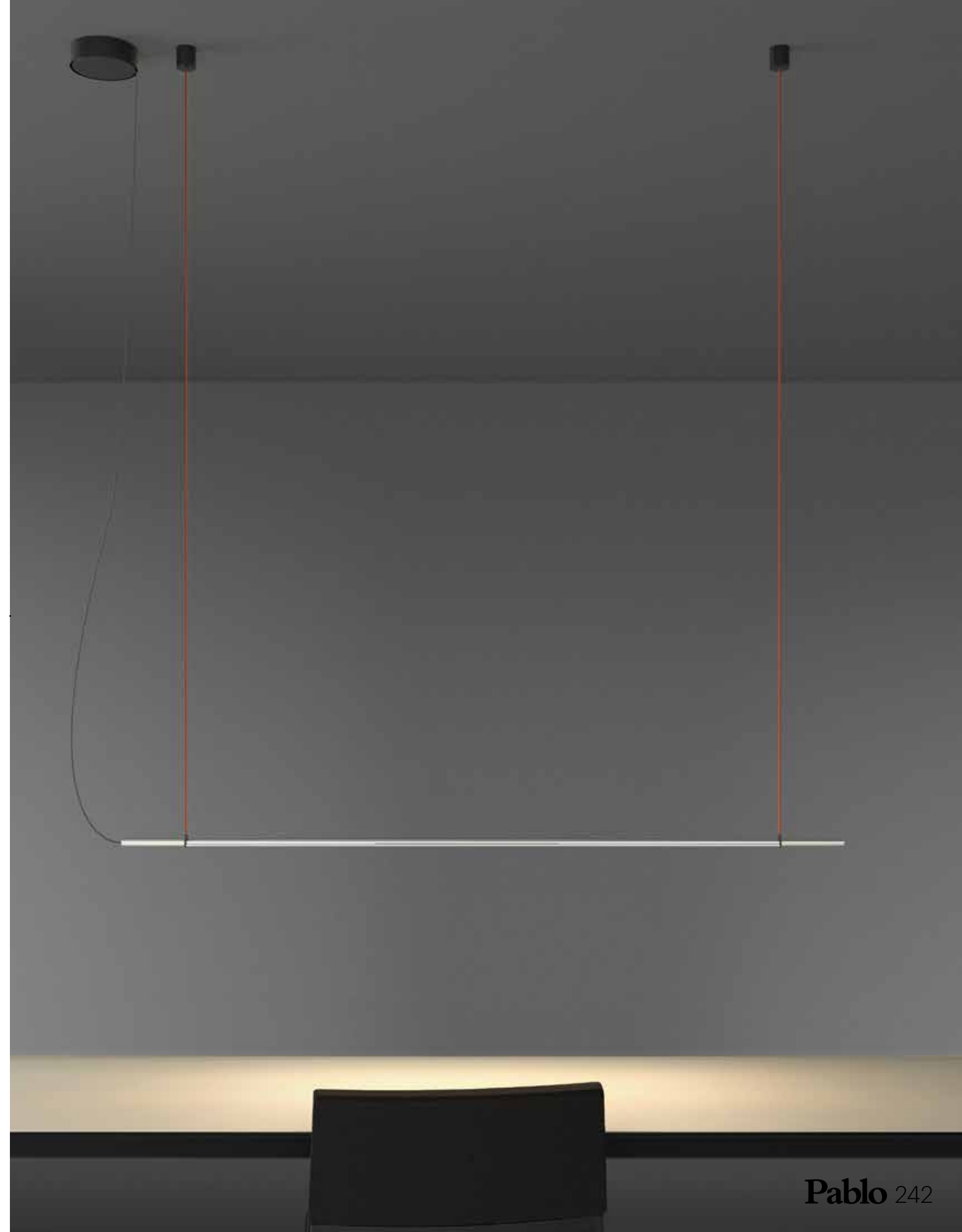
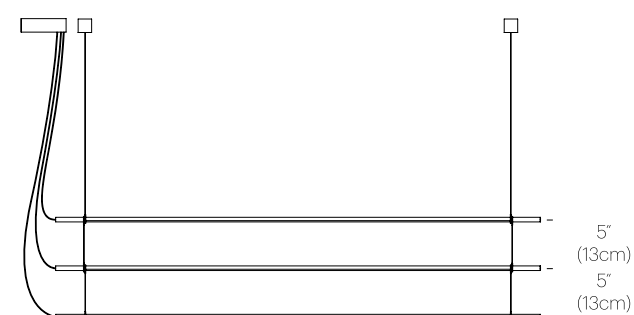
TO PENDANT



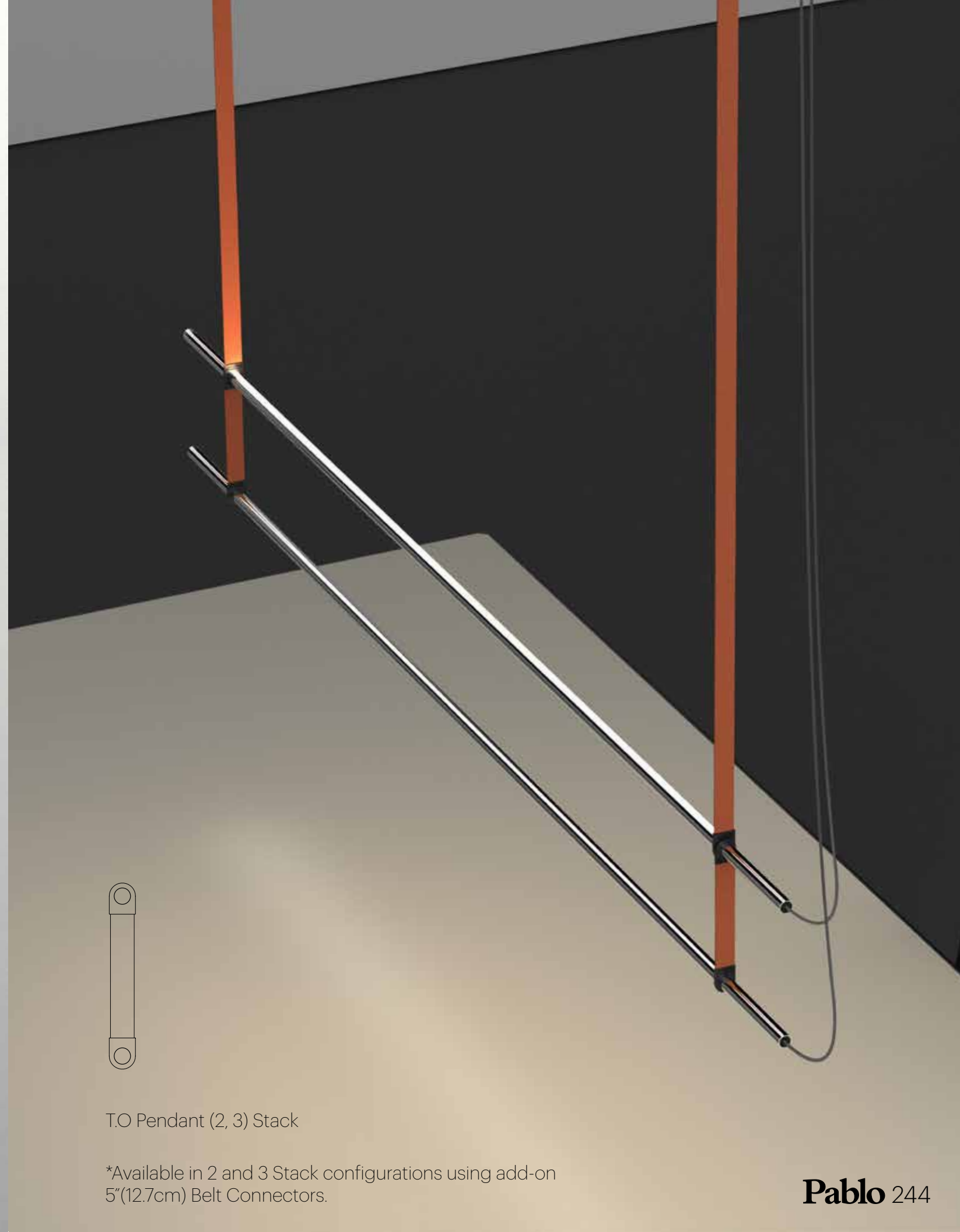
TO PENDANT 2 STACK



TO PENDANT 3 STACK



Universal Canopy with Belt Mount



T.O Pendant (2, 3) Stack

*Available in 2 and 3 Stack configurations using add-on 5"(12.7cm) Belt Connectors.

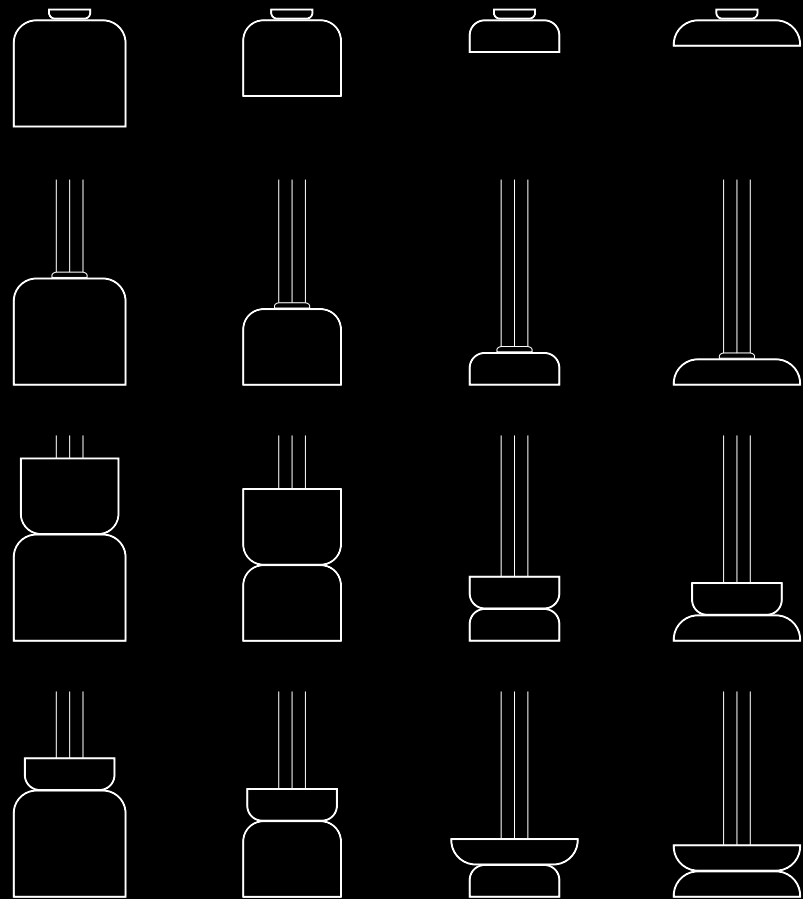




TOTEM

Totem is a versatile pendant lighting collection comprised of exquisitely blown opal glass shades designed around a modular platform. Totem's soft, pure white geometric forms provide a charming interplay of unique combinations to provide warmth and elegance to any space. Users can select from 4 shade styles (A,B,C,D) to mix and match to create an ensemble of 20 unique pendant combinations. Totem provides both direct and indirect illumination by employing a two-part LED light engine that provides both uplight and downlight resulting in a warm and dimmable ambient glow projecting through its softly diffused glass structure. Totem singles can be used in flush mount down-light only scenarios as well.

Designer:
Pablo Pardo + Pablo Studio 2023





TOTEM UP/DOWN LIGHT

DESCRIPTION

Totem is a versatile pendant lighting collection comprised of exquisitely blown opal glass shades designed around a modular platform. Totem's soft, pure white geometric forms provide a charming interplay of unique combinations to provide warmth and elegance to any space. Users can select from 4 shade styles (A,B,C,D) to mix and match to create an ensemble of 20 unique pendant combinations. Totem provides both direct and indirect illumination by employing a two-part LED light engine that provides both uplight and downlight resulting in a warm and dimmable ambient glow projecting through its softly diffused glass structure. Totem singles can be used in flush mount downlight only scenarios as well.

FIXTURE TYPE

Pendant

LIGHT SOURCE

High output LED array

LIGHT CONTROL

Fully dimmable

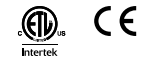
FEATURES

20 Unique Pendant Combinations
Uplight/Downlight

SPECIFICATIONS

Voltage: 120 or 240V 50/60Hz (120-277V 0-10V driver available by request)
Power Consumption: 18W
Color Temperature: 2700-2200K DTW (Dim-to-Warm)
Luminosity: 1800 Lumens Total (1400down/400up)
Luminaire efficacy: 100 Lumens/Watt
Color Rendition Index: 90 CRI
Cable Length: 10' (3m)

CERTIFICATIONS



PRODUCT CODES

Totem Up/Down (AA)	TOTE UPDWN AA
Totem Up/Down (AB)	TOTE UPDWN AB
Totem Up/Down (AC)	TOTE UPDWN AC
Totem Up/Down (AD)	TOTE UPDWN AD
Totem Up/Down (BA)	TOTE UPDWN BA
Totem Up/Down (BB)	TOTE UPDWN BB
Totem Up/Down (BC)	TOTE UPDWN BC
Totem Up/Down (BD)	TOTE UPDWN BD
Totem Up/Down (CA)	TOTE UPDWN CA
Totem Up/Down (CB)	TOTE UPDWN CB
Totem Up/Down (CC)	TOTE UPDWN CC
Totem Up/Down (CD)	TOTE UPDWN CD
Totem Up/Down (DA)	TOTE UPDWN DA
Totem Up/Down (DB)	TOTE UPDWN DB
Totem Up/Down (DC)	TOTE UPDWN DC
Totem Up/Down (DD)	TOTE UPDWN DD

PACKAGING WEIGHT AND DIMENSIONS

Totem A:	8LBS	20" X 20" X 20"
(Shade)	3.6KGS	50cm X 50cm X 50cm
Totem B:	6.5LBS	17" X 17" X 15"
(Shade)	3KGS	43cm X 43cm X 38cm
Totem C:	4LBS	16.5" X 16.5" X 10"
(Shade)	1.8KGS	42cm X 42cm X 25cm
Totem D:	3.3LBS	22" X 22" X 9"
(Shade)	1.5KGS	56cm X 56cm X 23cm

NOTES

Custom requests can be considered on volume orders

253 Pablo

AVAILABLE GLOBALLY



FINISHES

CANOPY



WHITE

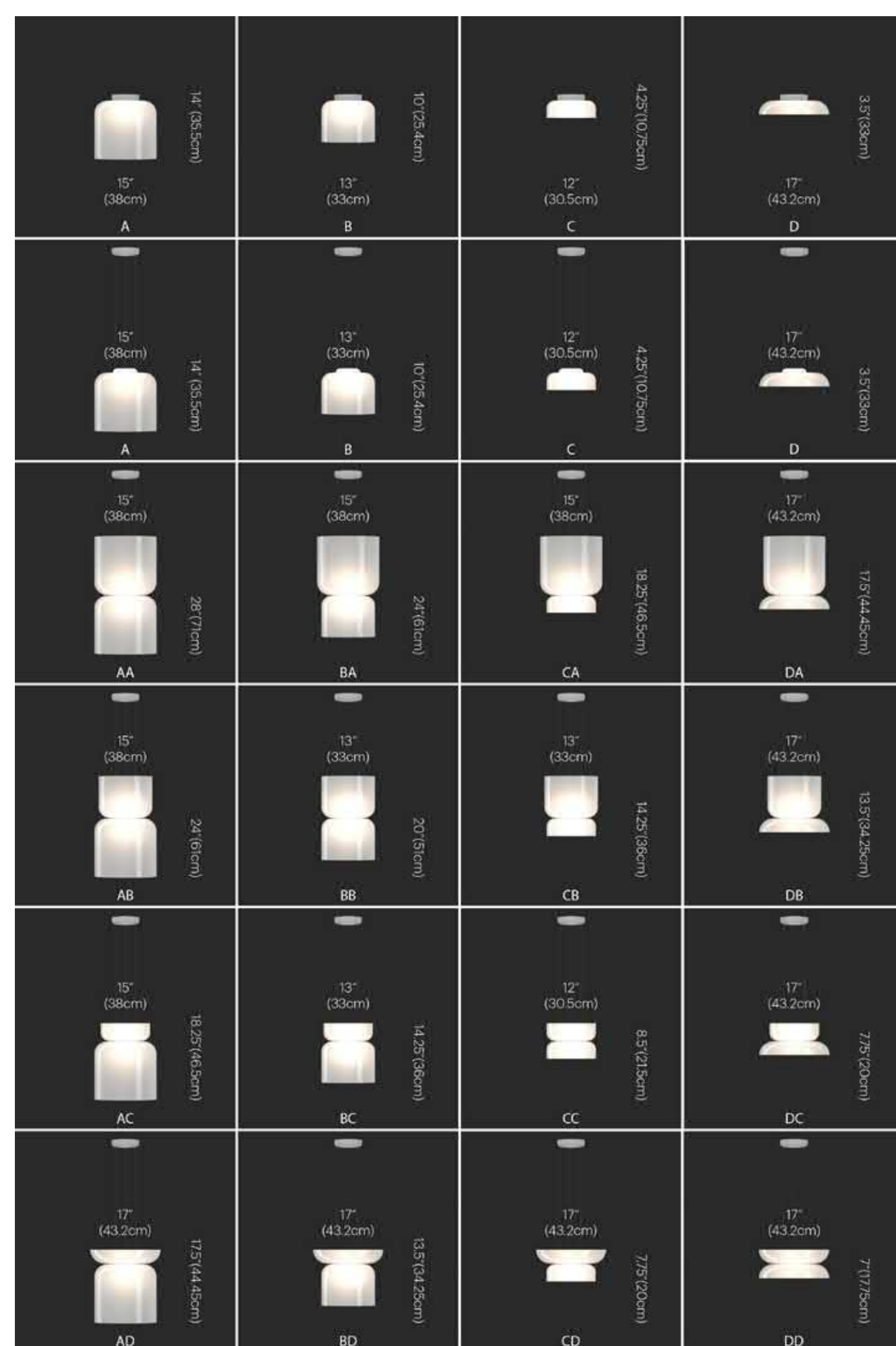
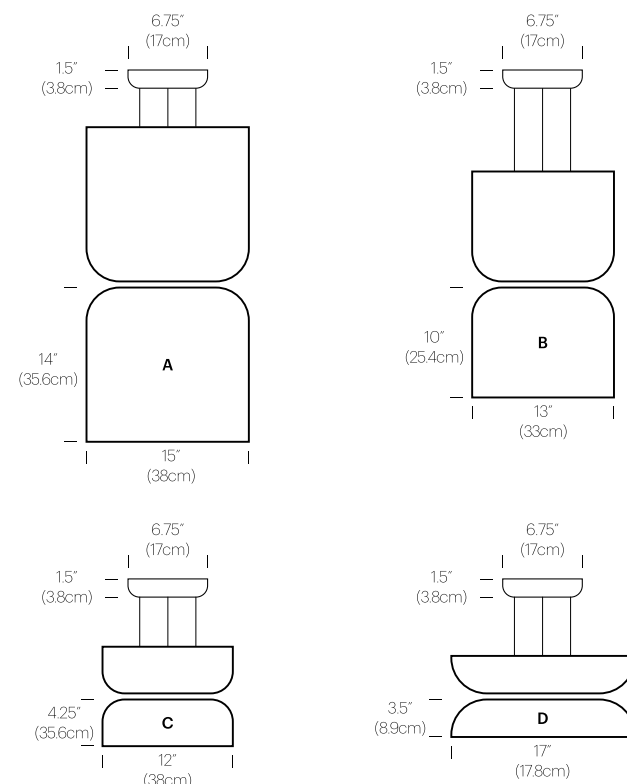
SHADE



OPAL GLASS

DIMENSIONS

TOTEM UP/DOWN



TOTEM DOWN LIGHT

DESCRIPTION

Totem is a versatile pendant lighting collection comprised of exquisitely blown opal glass shades designed around a modular platform. Totem's soft, pure white geometric forms provide a charming interplay of unique combinations to provide warmth and elegance to any space. Users can select from 4 shade styles (A,B,C,D) to mix and match to create an ensemble of 20 unique pendant combinations. Totem provides both direct and indirect illumination by employing a two-part LED light engine that provides both uplight and downlight resulting in a warm and dimmable ambient glow projecting through its softly diffused glass structure. Totem singles can be used in flush mount downlight only scenarios as well.

FIXTURE TYPE

Pendant

LIGHT SOURCE

High output LED array

LIGHT CONTROL

Fully dimmable

FEATURES

20 Unique Pendant Combinations
Uplight/Downlight

SPECIFICATIONS

Voltage: 120 or 240V 50/60Hz (120-277V 0-10V driver available by request)
Power Consumption: 13W
Color Temperature: 2700-2200K DTW (Dim-to-Warm)
Luminosity: 1400 Lumens
Luminaire efficacy: 108 Lumens/Watt
Color Rendition Index: 90 CRI
Cable Length: 10' (3m)

CERTIFICATIONS



PRODUCT CODES

Totem Down (A)	TOTE DWN A
Totem Down (B)	TOTE DWN B
Totem Down (C)	TOTE DWN C
Totem Down (D)	TOTE DWN D

PACKAGING WEIGHT AND DIMENSIONS

Totem A:	8LBS	20" X 20" X 20"
(Shade)	3.6KGS	50cm X 50cm X 50cm
Totem B:	6.5LBS	17" X 17" X 15"
(Shade)	3KGS	43cm X 43cm X 38cm
Totem C:	4LBS	16.5" X 16.5" X 10"
(Shade)	1.8KGS	42cm X 42cm X 25cm
Totem D:	3.3LBS	22" X 22" X 9"
(Shade)	1.5KGS	56cm X 56cm X 23cm

NOTES

Custom requests can be considered on volume orders

255 **Pablo**

AVAILABLE GLOBALLY



FINISHES

CANOPY



WHITE

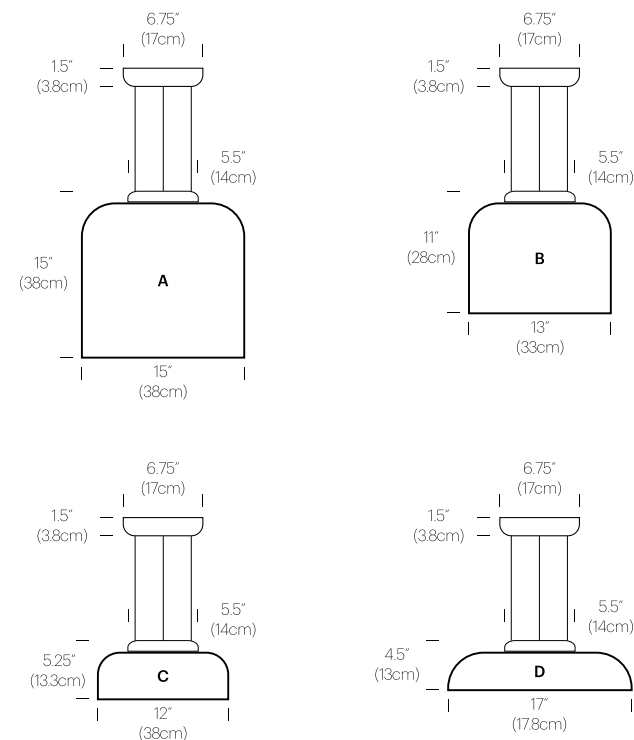
SHADE



OPAL GLASS

DIMENSIONS

TOTEM DOWN



TOTEM FLUSH

DESCRIPTION

Totem is a versatile pendant lighting collection comprised of exquisitely blown opal glass shades designed around a modular platform. Totem's soft, pure white geometric forms provide a charming interplay of unique combinations to provide warmth and elegance to any space. Users can select from 4 shade styles (A,B,C,D) to mix and match to create an ensemble of 20 unique pendant combinations. Totem provides both direct and indirect illumination by employing a two-part LED light engine that provides both uplight and downlight resulting in a warm and dimmable ambient glow projecting through its softly diffused glass structure. Totem singles can be used in flush mount downlight only scenarios as well.

FIXTURE TYPE

Pendant

LIGHT SOURCE

High output LED array

LIGHT CONTROL

Fully dimmable

FEATURES

20 Unique Pendant Combinations
Uplight/Downlight

SPECIFICATIONS

Voltage: 120 or 240V 50/60Hz (120-277V 0-10V driver available by request)
Power Consumption: 13W
Color Temperature: 2700-2200K DTW (Dim-to-Warm)
Luminosity: 1400 Lumens
Luminaire efficacy: 108 Lumens/Watt
Color Rendition Index: 90 CRI
Cable Length: 10' (3m)

CERTIFICATIONS



PRODUCT CODES

Totem Flush (A)	TOTE FSH A
Totem Flush (B)	TOTE FSH B
Totem Flush (C)	TOTE FSH C
Totem Flush (D)	TOTE FSH D

PACKAGING WEIGHT AND DIMENSIONS

Totem A:	8LBS	20" X 20" X 20"
(Shade)	3.6KGS	50cm X 50cm X 50cm
Totem B:	6.5LBS	17" X 17" X 15"
(Shade)	3KGS	43cm X 43cm X 38cm
Totem C:	4LBS	16.5" X 16.5" X 10"
(Shade)	1.8KGS	42cm X 42cm X 25cm
Totem D:	3.3LBS	22" X 22" X 9"
(Shade)	1.5KGS	56cm X 56cm X 23cm

NOTES

Custom requests can be considered on volume orders



CANOPY



WHITE

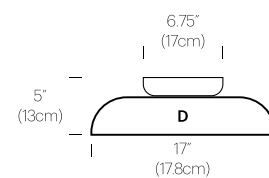
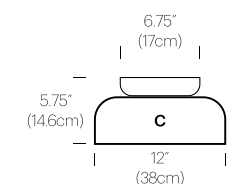
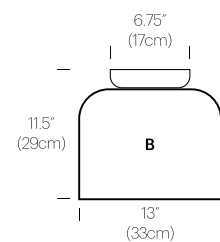
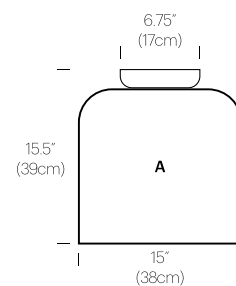
SHADE



OPAL GLASS

DIMENSIONS

TOTEM FLUSH







TOTEM MINI KIT

DESCRIPTION

Totem Mini Kit is comprised of (8) 1:5 scale shade replicas of the Totem lighting system purposely designed as an interactive visual aid to help create your own custom Totem shade combinations and groupings. These precious and charming glass pieces are made of durable Opal glass and are liquid safe to double-duty as collectible drink vessels. The Totem Collection this kit represents is a versatile lighting system comprised of exquisitely blown opal glass shades designed around a modular platform. Totem's soft, pure white geometric forms provide a charming interplay of unique combinations to provide warmth and elegance to any space. Users can select from 4 shade styles (A,B,C,D) to mix and match to create an ensemble of 20 unique pendant and flush combinations.

FEATURES

- 20 Unique Pendant Combinations
- Magnetic attachment
- Collectable drinking vessels

PRODUCT CODES

Totem Mini Kit	TOTE SALE KIT
----------------	---------------

PACKAGING WEIGHT AND DIMENSIONS

Totem Mini Kit:	1.5LBS	8" X 15" X 4.25"
	.7KGS	20.3cm X 38cm X 10.8cm

FINISHES

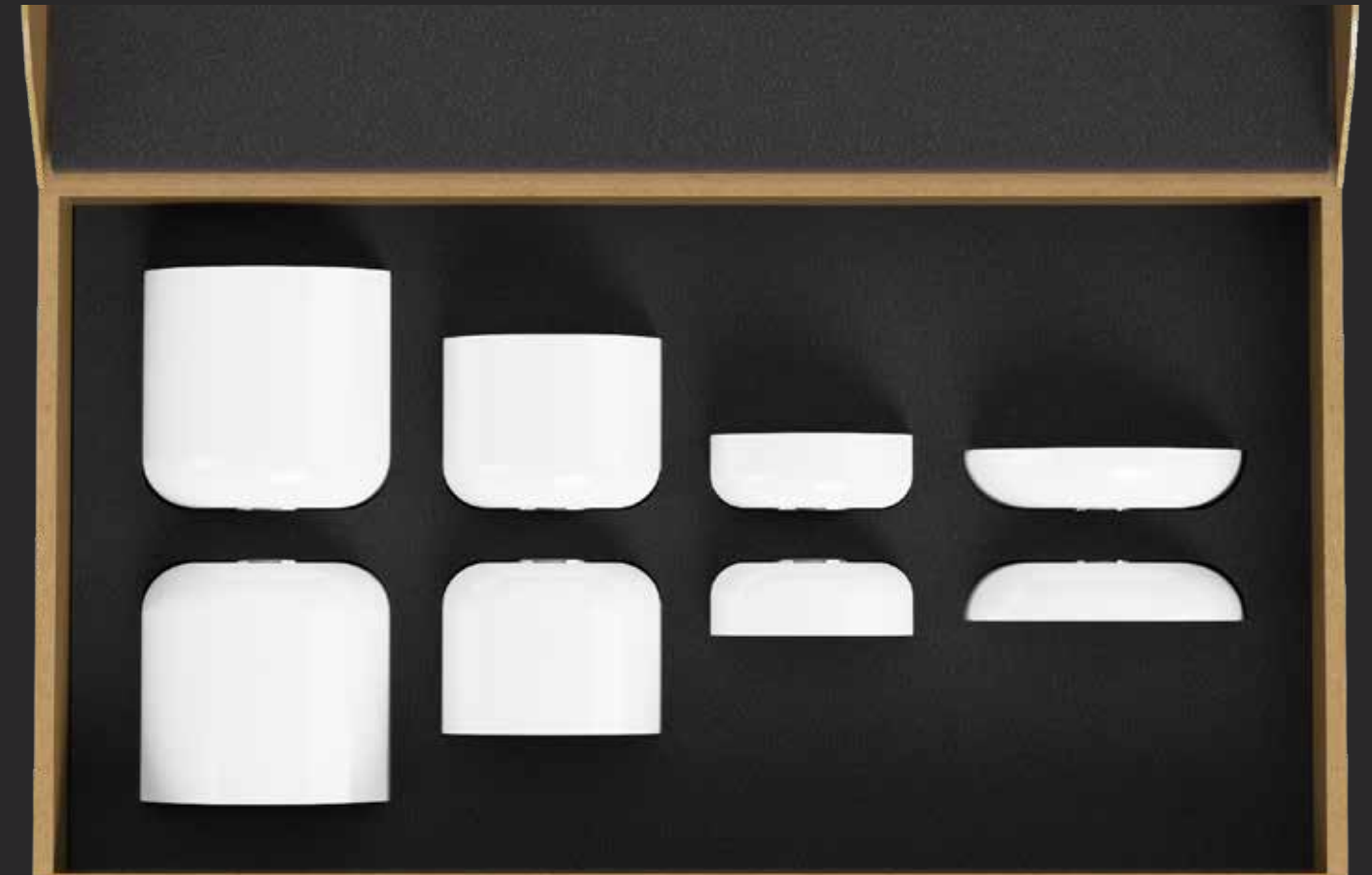
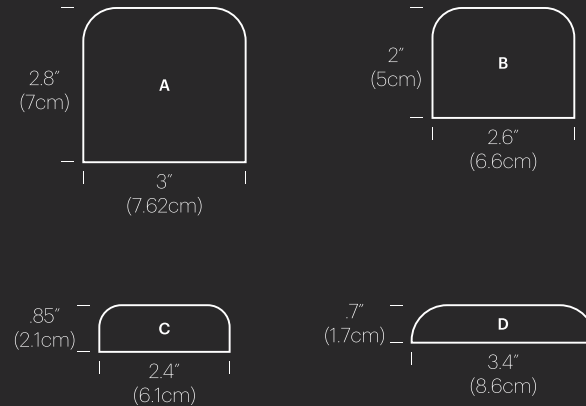
SHADE



OPAL GLASS

DIMENSIONS

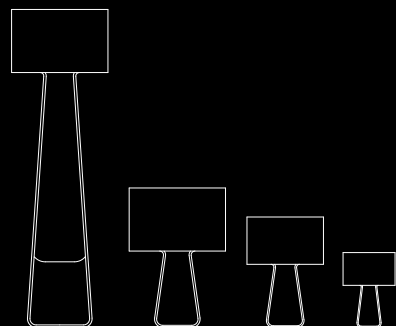
TOTEM MINI KIT



TUBE TOP

Tube Top comfortably abstracts the classic, domestic lamp silhouette to suit any style of interior. As designer Peter Stathis remarks, "Pablo is well known for their rigorously minimal products, and my goal was to augment that range by introducing a new light that applies a modern sensibility to a traditional lamp type." Playing with that traditional form, Tube Top combines a transparent, sculpted acrylic base to support its lightweight mesh shade in tension, allowing the shade to appear to float freely. Tube Top is available in multiple table and floor models.

Designer:
Peter Stathis 2006



TUBE TOP TABLE

DESCRIPTION

A minimalist statement in form and proportion, Tube Top combines a transparent formed acrylic base to support its elegant mesh fabric shade in tension, steering away from conventional modes of construction. Its lightweight shade appears to float freely, gently tethered by its fabric cable. Tube Top is available in multiple table, floor and pendant models.

FIXTURE TYPE

Table

LIGHT SOURCE

TT 14: (1) Frosted candelabra base 60W G16½ bulb: 672lm

TT 21: (2x) 2900K E26 base 53W BT15 bulbs: 2100lm

TT 27: (2x) 2900K E26 base 72W BT15 bulbs: 2980lm

(LED bulbs available upon request)

LIGHT CONTROL

Full range dim (In-line rotary dimmer)

FEATURES

Multiple sizes for a variety of applications

SPECIFICATIONS

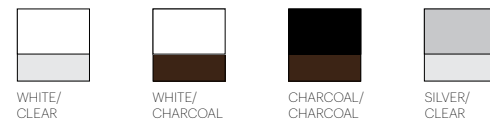
Voltage: 120V

Cable length: 6' (182cm)

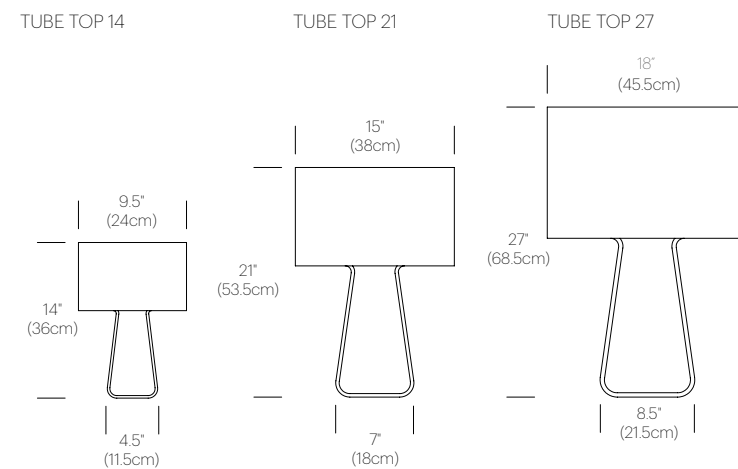
CERTIFICATIONS



FINISHES



DIMENSIONS



PRODUCT CODES

Tube Top 14 (Silver/Clear):	TUBE 14 GRY/CLR
Tube Top 14 (White/Clear):	TUBE 14 WHT/CLR
Tube Top 14 (White/Char):	TUBE 14 WHT/CHR
Tube Top 14 (Charcoal/Charcoal):	TUBE 14 CHR/CHR
Tube Top 21 (Silver/Clear):	TUBE 21 GRY/CLR
Tube Top 21 (White/Clear):	TUBE 21 WHT/CLR
Tube Top 21 (White/Char):	TUBE 21 WHT/CHR
Tube Top 21 (Charcoal/Charcoal):	TUBE 21 CHR/CHR
Tube Top 27 (Silver/Clear):	TUBE 27 GRY/CLR
Tube Top 27 (White/Clear):	TUBE 27 WHT/CLR
Tube Top 27 (White/Char):	TUBE 27 WHT/CHR
Tube Top 27 (Charcoal/Charcoal):	TUBE 27 CHR/CHR

PACKAGING WEIGHT AND DIMENSIONS

TT 14:	3.55LBS	16" X 11" X 5.5"
	1.6KGS	41cm X 28cm X 14cm
TT 21:	9.45LBS	23" X 16" X 8"
	4.3KGS	58cm X 41cm X 20cm
TT 27:	18.6LBS	29" X 21" X 12.5"
	8.4KGS	74cm X 53cm X 32cm

NOTES

Custom requests can be considered on volume orders

TUBE TOP COLORS

DESCRIPTION

A minimalist statement in form and proportion, Tube Top combines a transparent formed acrylic base to support its elegant mesh fabric shade in tension, steering away from conventional modes of construction. Its lightweight shade appears to float freely, gently tethered by its fabric cable.

FIXTURE TYPE

Table

LIGHT SOURCE

TT C: (1) Frosted candelabra base 60W G16½ bulb: 672 lm
(LED bulbs available upon request)

LIGHT CONTROL

Full range dim (In-line rotary dimmer)

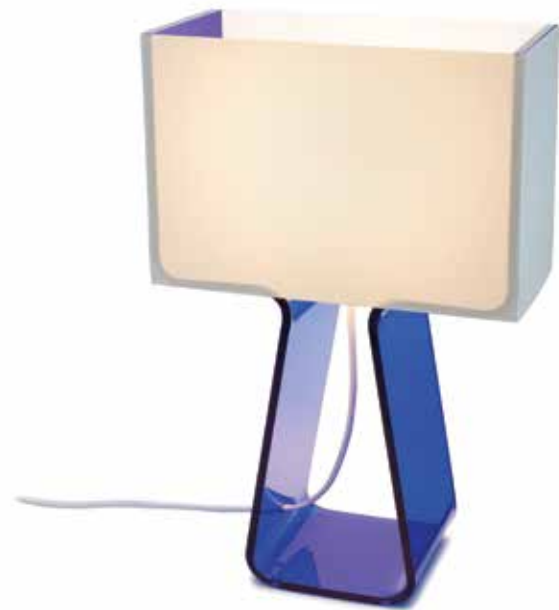
FEATURES

Full-range dimmer

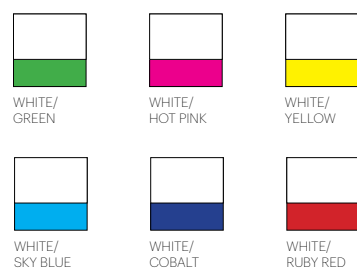
SPECIFICATIONS

Voltage: 120V
Cable length: 6' (182cm)

CERTIFICATIONS

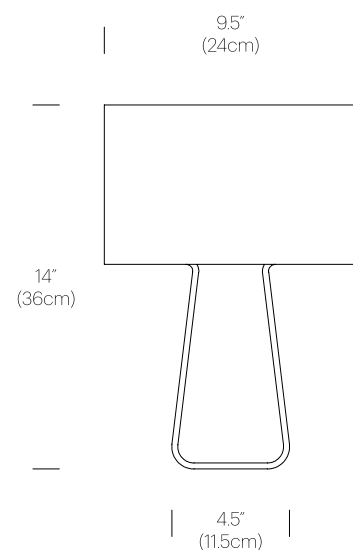


FINISHES



DIMENSIONS

TUBE TOP COLOR



PRODUCT CODES

Tube Top (Yellow):	TUBE 14 YEL
Tube Top (Bright Green):	TUBE 14 GRN
Tube Top (Ruby Red):	TUBE 14 RED
Tube Top (Hot Pink):	TUBE 14 PIN
Tube Top (Sky Blue):	TUBE 14 SKY
Tube Top (Cobalt Blue):	TUBE 14 BLU

PACKAGING WEIGHT AND DIMENSIONS

TT 14:	3.55LBS	16" X 11" X 5.5"
	1.6KGS	41cm X 28cm X 14cm

NOTES

Custom requests can be considered on volume orders



TUBE TOP FLOOR

DESCRIPTION

A minimalist statement in form and proportion, Tube Top combines a transparent formed acrylic base to support its elegant mesh fabric shade in tension, steering away from conventional modes of construction. Its lightweight shade appears to float freely, gently tethered by its fabric cable. Tube Top is available in multiple table and floor models.

FIXTURE TYPE

Floor

LIGHT SOURCE

TT 60: (2x) 2900K E26 base 72W BT15 bulbs: 2980lm
(LED bulbs available upon request)

LIGHT CONTROL

Full range dim (In-line slide dimmer)

FEATURES

Full-range dimmer

SPECIFICATIONS

Voltage: 120V
Cable length: 6' (182cm)

CERTIFICATIONS



FINISHES



WHITE/
CLEAR



WHITE/
CHARCOAL



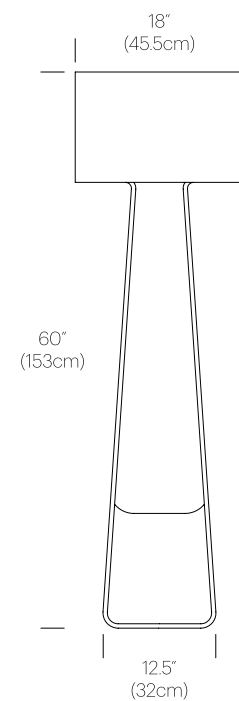
CHARCOAL/
CHARCOAL



SILVER/
CLEAR

DIMENSIONS

TUBE TOP 60



PRODUCT CODES

Tube Top 60 (Charcoal/Charcoal):	TUBE 60 CHR/CHR
Tube Top 60 (White/Char):	TUBE 60 WHT/CHR
Tube Top 60 (White/Clear):	TUBE 60 WHT/CLR
Tube Top 60 (Silver/Clear):	TUBE 60 GRY/CLR

PACKAGING WEIGHT AND DIMENSIONS

TT 60:	47.25LBS	63" X 20" X 12"
	21.4KGS	160cm X 51cm X 30cm

NOTES

Custom requests can be considered on volume orders



UMA

The revolutionary UMA Sound Lantern redefines the portable lantern for the modern age. Fusing state-of-the-art Warm Dim LED technology with 360° high fidelity surround sound, UMA provides a one of a kind portable light + sound experience, integrated seamlessly into a strikingly elegant design. UMA pairs touch sensitive volume control with an intuitive full-range light control dial and features Bluetooth connectivity to stream the highest quality audio wirelessly from any mobile device. A premium leather strap allows for easy portability, and a protective jacket allows UMA to go anywhere you want to go. Invoking the primal symbol of the lantern and the warmth of a campfire, UMA is the perfect centerpiece for social gatherings and intimate moments indoor and out.

Designer:
Carmine Deganello, Pablo Pardo + Pablo Studio 2015

Awards:
[2016 AZURE Magazine People's Choice Award](#)
[2016 Good Design Award Australia](#)
[2017 German Design Award](#)
[2017 Best Lighting, House Beautiful Magazine](#)



UMA SOUND LANTERN

DESCRIPTION

The revolutionary UMA Sound Lantern redefines the portable lantern for the modern age. Fusing state-of-the-art Warm Dim LED technology with 360° high fidelity surround sound, UMA provides a one of a kind portable light + sound experience, integrated seamlessly into a strikingly elegant design. Uma pairs touch sensitive volume control with an intuitive full-range light control dial and features Bluetooth connectivity to stream the highest quality audio wirelessly from any mobile device. A premium leather strap allows for easy portability, and a protective jacket allows UMA to go anywhere you want to go. Invoking the primal symbol of the lantern and the warmth of a campfire, UMA is the perfect centerpiece for social gatherings and intimate moments indoor and out.

FIXTURE TYPE

Portable - rechargeable

LIGHT SOURCE

(60x) High-output LED array

LIGHT CONTROL

Warm-dim light control ring

FEATURES

- Portable and rechargeable
- Full range dim control
- Rich 360 degree sound
- Bluetooth connectivity
- Warm dimming technology
- Optional surface mount available
- Damp rated for indoor and outdoor use

SPECIFICATIONS

- Voltage: 120-240V 50-60Hz
- Power consumption: 4.5W (light) 12W MAX (speakers)
- Color temperature: 2000-2700K
- Luminosity: 190 Lumens MAX
- Luminaire efficacy: 42 Lumens/Watt
- Lithium ion battery: Up to 8 hours of use
- Charging time: Up to 3.5 hours
- Power cable length: 6' (183cm)
- IP50 damp rated
- Global multi-plug adapter available
- Patent number: D773,704

CERTIFICATIONS

TUV, FCC, RoHS



PRODUCT CODES

UMA SILVER/WHITE	UMA AL/TAN
------------------	------------

PACKAGING WEIGHT AND DIMENSIONS

UMA:	3LBS	6" X 6" X 11"
	1.4KGS	16cm X 16cm X 15.4cm

NOTES

Custom requests can be considered on volume orders



FINISHES

BASE AND TOP RING



SILVER

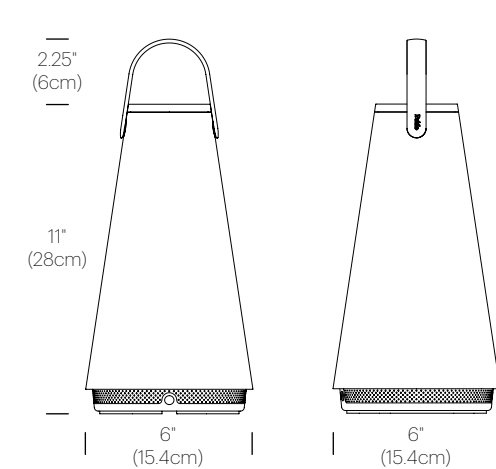
LEATHER STRAP



TAN

DIMENSIONS

UMA





UMA MINI

The revolutionary UMA Mini Sound Lantern redefines the portable lantern for the modern age. Fusing state-of-the-art Warm Dim LED technology with 360° high fidelity surround sound, UMA provides a one of a kind portable light + sound experience, integrated seamlessly into a strikingly elegant design. UMA Mini pairs touch sensitive volume control with an intuitive full-range light control dial and features Bluetooth connectivity to stream the highest quality audio wirelessly from any mobile device. Invoking the primal symbol of the lantern and the warmth of a campfire, UMA is the perfect centerpiece for social gatherings and intimate moments indoor and out.

Designer:
Carmine Deganello, Pablo Pardo + Pablo Studio 2019

Awards:
2016 AZURE Magazine People's Choice Award
2016 Good Design Award Australia
2017 German Design Award



UMA MINI

DESCRIPTION

Introducing UMA Mini, the newest addition to the UMA family, now more portable than ever to travel with you anywhere you go. The revolutionary UMA Mini lantern takes all its cues from its big sister UMA, fusing state-of-the-art LED technology with 360° high fidelity surround sound, while boasting a party mode feature that allows for pairing up to 24 units simultaneously via Bluetooth to create the perfect ambiance. UMA Mini also features touch sensitive volume control and 2 soft light level setting to set the perfect mood. Invoking the primal symbol of the lantern and the warmth of a campfire, UMA Mini is the perfect centerpiece for social gatherings at home, restaurant lounges, and any outdoor setting.

FIXTURE TYPE

Portable - rechargeable

LIGHT SOURCE

LED high-output chip on board

LIGHT CONTROL

Dimmable
2-stage dim control

FEATURES

Portable + rechargeable
2 stage dim control
Rich 360° sound
Bluetooth connectivity
Party Mode up to 24 units
20 hour battery life (light only)
15 hour battery life (light & music)
USB-C Rapid charging

SPECIFICATIONS

Power Consumption: 4W (light) 8W MAX (speakers)
Color temperature: 2000K
Luminosity: 100 Lumens MAX
Color Rendition Index: 90 CRI
Battery life: Up to 20 hours
3 hr charge time (using 10W power plug, not included)
Power cable length: 6' (183cm)
IP54 damp rated
Patent pending

CERTIFICATIONS



PRODUCT CODES

Uma Mini	UMA MINI
----------	----------

PACKAGING WEIGHT AND DIMENSIONS

UMA MINI:	2.5LBS	5.6" X 5.6" X 10"
	1KGS	14cm X 14cm X 25.5cm

NOTES

Custom requests can be considered on volume orders

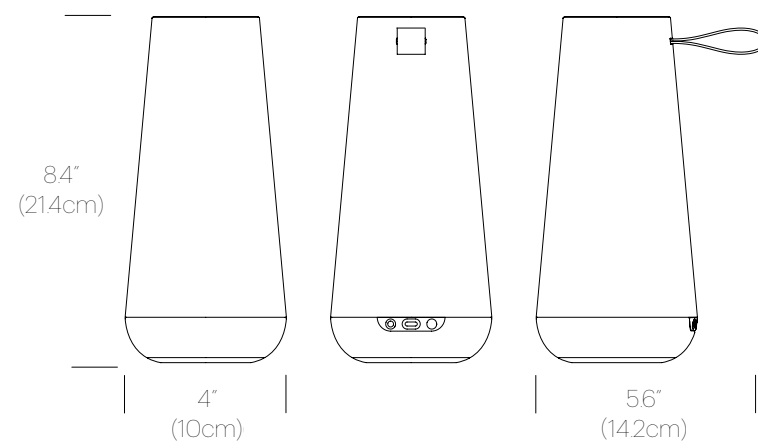


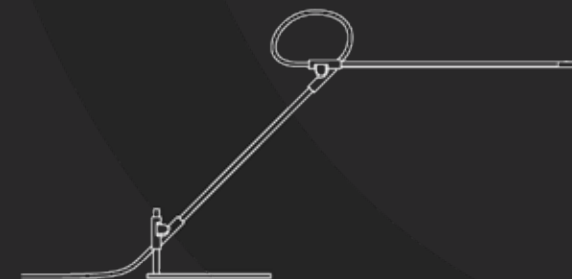
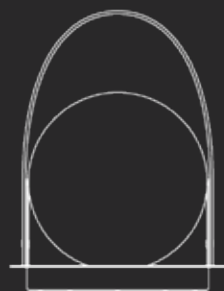
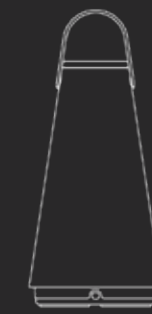
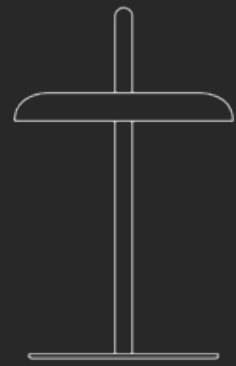
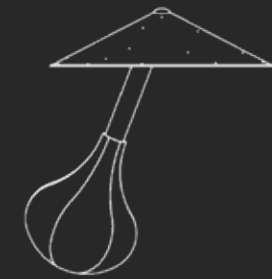
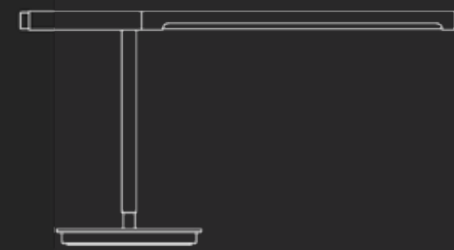
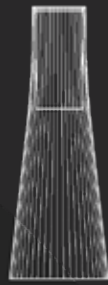
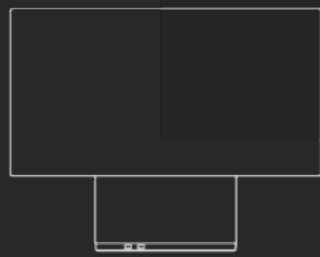
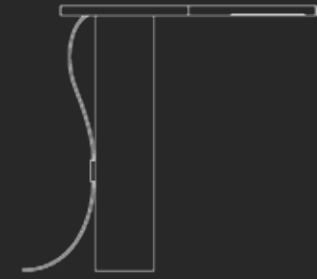
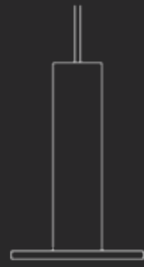
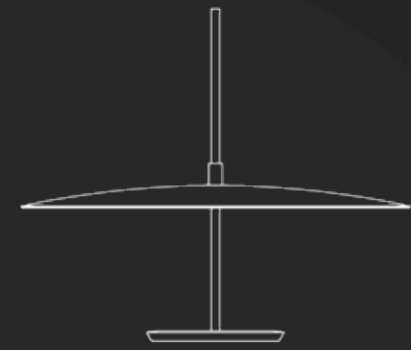
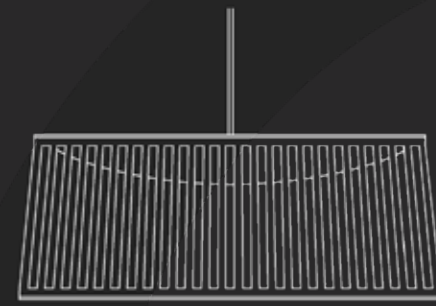
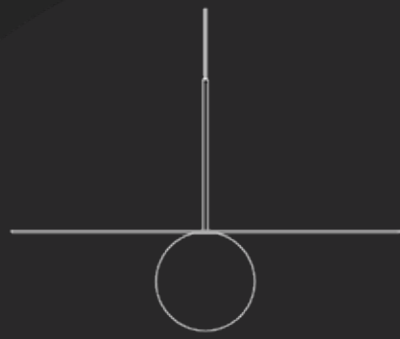
FINISHES



DIMENSIONS

UMA MINI





CELEBRATING
30 YEARS OF
ILLUMINATION
Pablo

GLOBAL AVAILABILITY

Belmont Floor
Belmont Pendant
Belmont Table

Bola Disc Flush
Bola Disc Pendant

Bola Felt Pendant

Bola Halo Pendant

Bola Lantern

Bola Sphere Pendant

Bola Sphere Table

Brazo Floor
Brazo Table

Cielo Plus
Cielo XL

Candél

Carousel Floor
Carousel Table

Circa Floor
Circa Flush
Circa Pendant
Circa Table

Contour Floor
Contour Table

Elise Marble 48
Elise Marble 60
Elise Marble 80

Giraffa

Lana Floor

Lana Table Mini
Lana Table Small
Lana Table Large

Lana Wall

Lim 360

Link Clamp

Link Table Small
Link Table Medium

Luci Floor
Luci Table

Nivél Floor
Nivél Pedestal SM
Nivél Pedestal LG
Nivél Table

Nivél Flush
Nivél Pendant

Pilar

Pixo Plus
Pixo Wall

Sky Solo Pendant
Sky Dome Metal Pendant
Sky Dome Wood Pedant
Sky Sound Pendant

Sky Dome Metal Flush
Sky Dome Wood Flush

Solis 24 Pendant
Solis 48 Pendant
Solis 72 Pendant

Solis Drum 24 Pendant
Solis Drum 36 Pendant

Solis Drum Flush 24
Solis Drum Flush 36

Superlight Floor
Superlight Table

Swell Single
Swell String Single
Swell String Mix

Swell XL Single
Swell XL String Single
Swell XL String Mix

Talia Floor
Talia Table

T.O Floor
T.O Table

T.O Pendant

Totem Flush
Totem Pendant

Uma
Uma Mini

DISTRIBUTORS

Pablo®

INFO@PABLODESIGNS.COM
888 MARIN STREET
SAN FRANCISCO, CA 94124
USA T: +1 415 865 5000
F: +1 415 865 0500
PABLODESIGNS.COM

INFO@PABLODESIGNS.EU
Netherlands +31 31 872 8107
PABLODESIGNS.EU



INFO@PABLODESIGNS.COM
888 MARIN STREET
SAN FRANCISCO, CA 94124
USA T: +1 415 865 5000
F: +1 415 865 0500
PABLODESIGNS.COM

INFO@PABLODESIGNS.EU
Netherlands +31 31 872 8107
PABLODESIGNS.EU