

# ***zanotta:***

---

**Price list ECM  
Novità 2024**


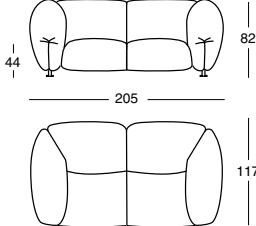
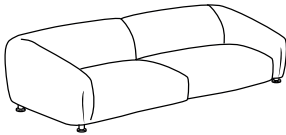
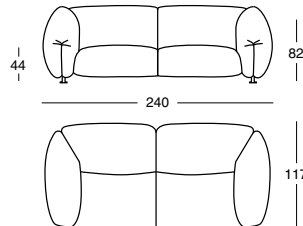
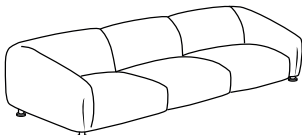
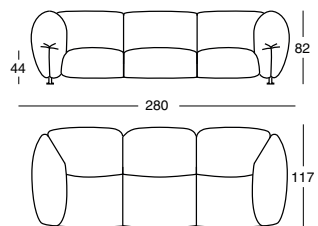
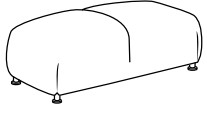
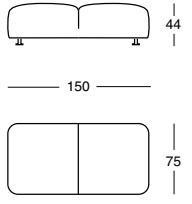
## PRODUCTS ALPHABETICAL INDEX

ARA FENICE 9560 page 19  
BOL 2325 page 9  
BOL 2326 page 10  
CUCULIA 9400 page 19  
DEALBATA 9550 page 19  
DEALBATA 9551 page 20  
DEALBATA 9552 page 20  
GIUNO 2040 page 8  
GOMMA 840 page 6  
KARELIA 870 page 6  
KIT LENZUOLA ESTIVO 1799 page 18  
KIT LENZUOLA INVERNALE 1799 page 18  
LAZY SUSAN 2327 page 11  
RETI LETTO 1752 page 17  
RETI LETTO 1753 page 17  
RETI LETTO 1754 page 18  
SOSIA 8858 page 20  
TA.BA.CE. 700 page 6  
TALAMO BOX 1840 page 16  
THAR 160 page 21  
THAR 161 page 21  
THAR 162 page 21  
TIDONE 2760 page 11  
TOTO 629 page 7  
TWEED 2316 page 12  
TWEED 2319 page 13  
TWEED MARBLE 2318 page 15  
Z24 726 page 22  
Z24 727 page 22  
Z24 728 page 8  
ZA:ZA BED 1750 page 16  
ZA:ZA BED 1751 page 17  
ZA:ZA MAX 1046 page 3  
ZAVOLO 790 page 7  
ZAVOLO 791 page 7  
ZAVOLO 792 page 16

# 1046 ZA:ZA MAX

Design by Zaven  
Project year 2024

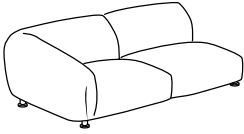
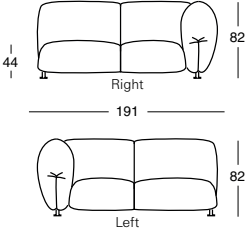
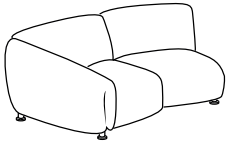
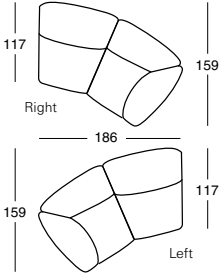
**Monobloc sofas and pouf.** Carrying frame in orange, amaranth, grass green or black painted steel, complete of stiff polyester straps in the shade anthracite for the support of the cushions. Seat, back and armrest cushions in polyurethane/regenerated and regenerable polyester balls. Fixed internal regenerated and regenerable polyester fabric. Paddings assembly without glues. Removable external fabric cover.

Perspective	Front/Plan	Cover Categories	Price	Spare covers
 <p><b>1046/202_</b> Fabric m 10,10</p>	 <p>Sofa 205</p>	C.o.f.	4.900	1.800
		20	4.900	1.800
		30	5.285	2.185
		40	5.455	2.355
 <p><b>1046/212_</b> Fabric m 10,20</p>	 <p>Sofa 240</p>	C.o.f.	5.590	1.855
		20	5.590	1.855
		30	5.985	2.255
		40	6.165	2.430
 <p><b>1046/302_</b> Fabric m 13,40</p>	 <p>Sofa 280</p>	C.o.f.	6.295	2.220
		20	6.295	2.220
		30	6.855	2.730
		40	7.085	2.955
 <p><b>1046_PUF_</b> Fabric m 5,50</p>	 <p>Pouf</p>	C.o.f.	2.490	960
		20	2.490	960
		30	2.700	1.165
		40	2.795	1.260

# 1046 ZA:ZA MAX

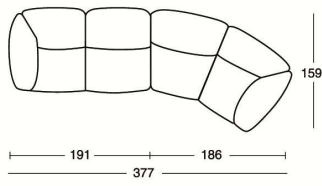
Design by Zaven  
Project year 2024

**Modular, straight and curved sofas.** The range of modular sofas allows many corner, straight or curved compositions.

Perspective	Front/Plan	Cover Categories	Price		Spare covers
 <p><b>1046_201_</b> Fabric m 8,40</p>	 <p>Endsofa 191</p>	C.o.f.	4.425		1.525
		20	4.425		1.525
		30	4.745		1.845
		40	4.890		1.985
 <p><b>1046_201C_</b> Fabric 8,50</p>	 <p>Rounded endsofa 186</p>	C.o.f.	4.645		1.535
		20	4.645		1.535
		30	4.965		1.855
		40	5.110		2.000

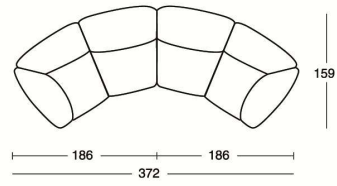
**Examples of compositions**

**Plan**

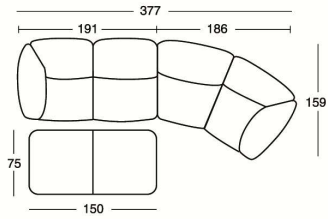


**Nr. 1=** 1046/201 SX +1046/201C DX

**Plan**



**Nr. 2=** 1046/201C SX +1046/201C DX

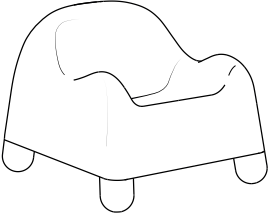
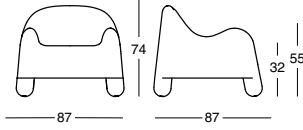


**Nr. 3=** 1046/201 SX +1046/201C DX +1046/PUF

# 840 GOMMA

Design by De Pas, D'Urbino, Lomazzi  
Project year 1970

**Armchair.** Multilayer wooden frame with elastic strip suspension and solid beech feet. Removable polyurethane foam upholstery with vegetable-based polyols. Glue-free assembly. Removable fabric cover.

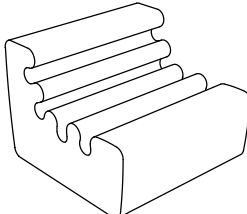
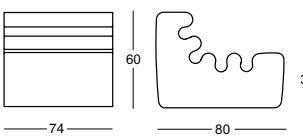
Perspective	Front/Side	Cover Categories	Price		Spare covers
 <p>840_ Fabric m 2,80</p>		C.o.f.	2.377		665
		20	2.377		665
		30	2.525		800
		40	2.580		855

# 870 KARELIA

Design by Liisi Beckmann  
Project year 1966

Collection: Vitra Design Museum, Weil am Rhein - Design Museo, Helsinki - Fondazione Triennale Design Museum, Milano.

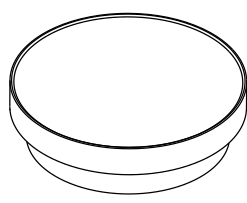
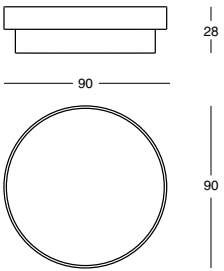
**Armchair.** Graduated polyurethane foam frame. Removable external cover only available in the fabrics Terso and Quantum.

Perspective	Front/Side	Version	Price		Spare covers
 <p>870 Fabric m 2,30</p>		Terso	1.880		600
		Quantum	1.930		650

# 700 TA.BA.CE.

Design by Philippe Malouin  
Project year 2024

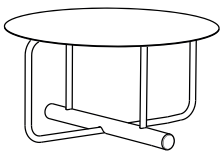
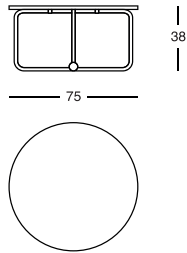
**Small table.** Freeze-resistant frame in fine porcelainized grès for outdoor use. Polished enamelling in the colours: talc, hemp, caramel, orange, grass green, espresso.

Perspective	Front/Plan	Version	Price			
 <p>700</p>		Single	2.115			

# 629 TOTO

Design by Bertrand Lejoly  
Project year 2022

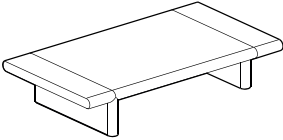
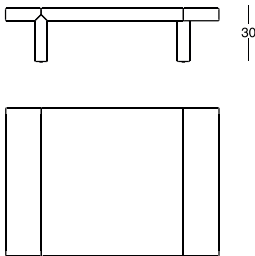
**Coffee table.** Matt black varnished steel frame. Steel sheet tops, covered with cowhide pigmentato 90 in the shades gold 0814, black 0801, anthracite 0807 and mud 0841 matching the foot in glossy black painted beech; or tops made of white Carrara or green Alpi marbles, thickness 20 mm, matching the foot respectively in glossy white RAL 9010 painted or glossy green RAL 6012 painted beech.

Perspective	Front/Plan	Sizes cm.	Cowhide top	Carrara marble top	Alpi marble top	
 <p>629</p>		H 38	1.400	1.725	1.770	

# 790 ZAVOLO

Design by Zaven  
Project year 2024

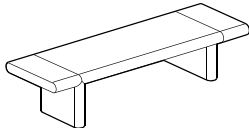
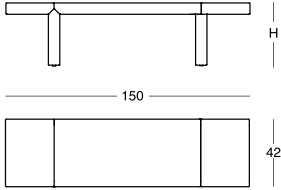
**Small table.** MDF frame, matt lacquered in the colours talc, wax, hemp, caramel, orange, amaranth, grass green, espresso and black.

Perspective	Front/Plan	Sizes cm.	Price		
 <p>790</p>		84x120	2.951		
		84x150	3.279		
		120x120	3.525		

# 791 ZAVOLO

Design by Zaven  
Project year 2024

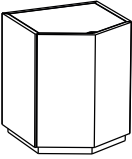
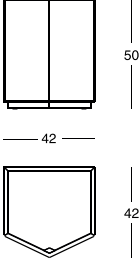
**Small table.** MDF frame, matt lacquered in the colours talc, wax, hemp, caramel, orange, amaranth, grass green, espresso and black.

Perspective	Front/Plan	Sizes cm.	Price		
 <p>791</p>		H30	2.541		
		H40	2.787		

# 728 Z24

Design by Muller Van Severen  
Project year 2024

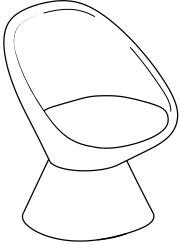
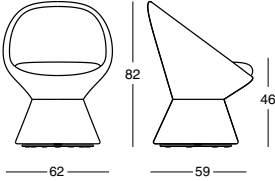
**Nightstand.** Frame in MDF and blockboard wood, matt lacquered in the colours talc, wax, hemp, caramel, orange, amaranth, grass green, espresso and black. Adjustable internal shelf in 10 mm thick tempered plate glass.

Perspective	Front/Plan	Version	Price		
 <p>728</p>		Single	1.598		

# 2040 GIUNO

Design by Calvi Brambilla  
Project year 2024

**Small armchair.** Steel frame. Frame upholstered with self-extinguishing polyurethane foam. Seat cushion upholstered with regenerated and regenerable polyester balls. Removable fabric cover. The small armchair is available in a fixed or swivel version.

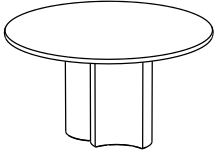
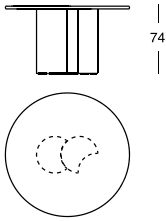
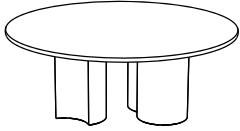
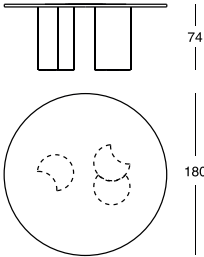
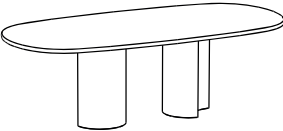
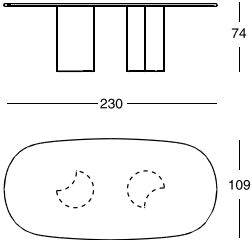
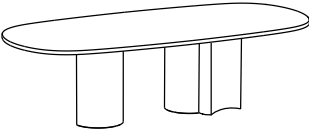
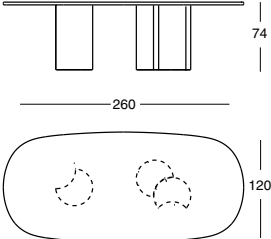
Perspective	Front/Side	Cover Categories	Fixed version	Swivel version	Spare covers
 <p>2040</p> <p>Fabric m 1,95</p>		C.o.f.	1.065	1.365	465
		20	1.065	1.365	465
		30	1.130	1.435	540
		40	1.160	1.470	575



# 2325 BOL

Design by Zaven  
Project year 2023

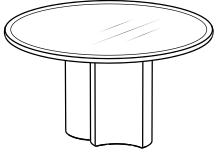
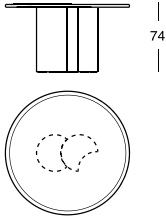
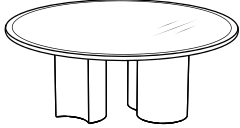
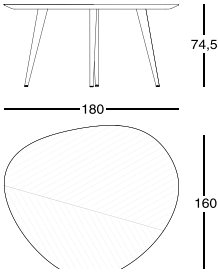
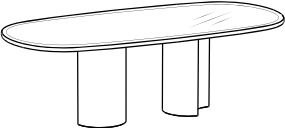
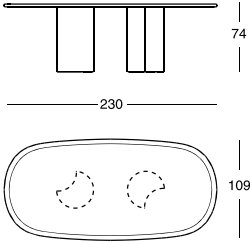
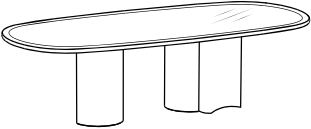
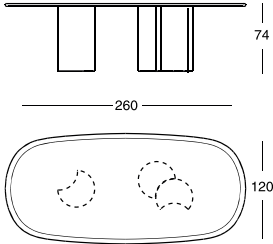
**Table.** Hard polyurethane bases matt lacquered in the shades talc, hemp, caramel, algae, amaranth, espresso and black or glossy lacquered in the shades talc, hemp and black, or with metallic finish in the shades caramel, algae, amaranth and espresso, in combination with MDF tops in the same matt lacquered colours talc, hemp, caramel, algae, amaranth, espresso and black.

Perspective	Front/Plan	Sizes cm.	Matt base	Metallic base/Glossy base
 <p>2325</p>		Ø 135	4.625	5.100
		Ø 160	5.085	5.715
 <p>2325/180</p>		Ø 180	6.570	7.490
 <p>2325/230</p>		230x109	5.435	6.065
 <p>2325/260</p>		260x120	7.675	8.620

# 2326 BOL

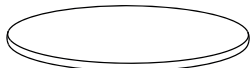
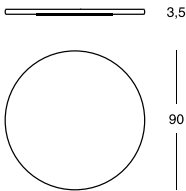
Design by Zaven  
Project year 2023

**Table** . Hard polyurethane bases matt lacquered in the shades talc, hemp, caramel, algae, amaranth, espresso and black or glossy lacquered in the shades talc, hemp and black, or with metallic finish in the shades caramel, algae, amaranth and espresso, in combination with MDF tops in the same matt lacquered colours talc, hemp, caramel, algae, amaranth, espresso and black with inclusion of extra light glass top, 8 mm thick, tempered, back painted in the same color.

Perspective	Front/Plan	Sizes cm.	Matt base	Metallic base/Glossy base
 <p><b>2326</b></p>		Ø 135	5.515	6.125
		Ø 160	6.525	7.120
 <p><b>2326/180</b></p>		Ø 180	8.685	9.610
 <p><b>2326/230</b></p>		230x109	6.845	7.460
 <p><b>2326/260</b></p>		260x120	9.160	10.080

# 2327 LAZY SUSAN

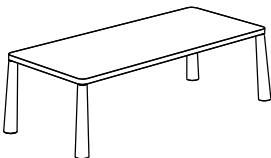
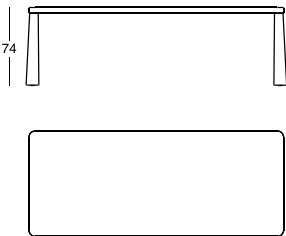
**Revolving table plate** . Swivel base on metal spheres. Matt lacquered MDF top in talc, hemp, caramel, algae, amaranth, espresso or black, 30 mm thick.

Perspective	Front/Plan	Version	Price		
 2327		Single	1.160		

# 2760 TIDONE

Design by Calvi Brambilla  
Project year 2024

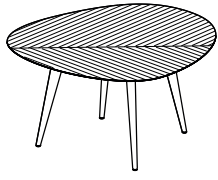
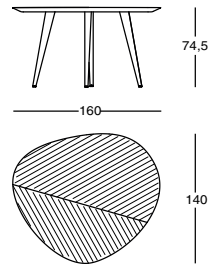
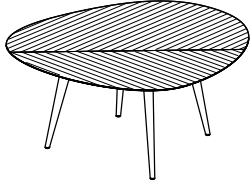
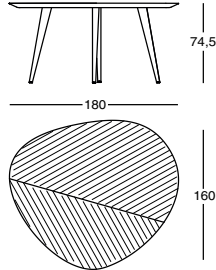
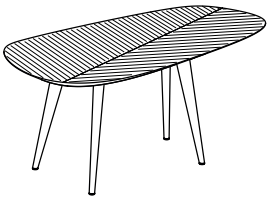
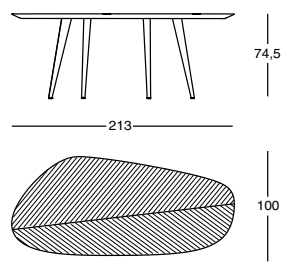
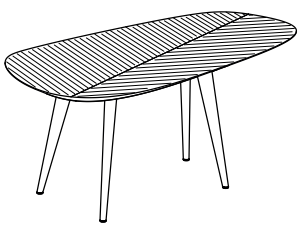
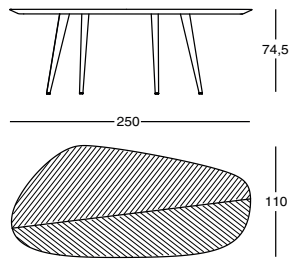
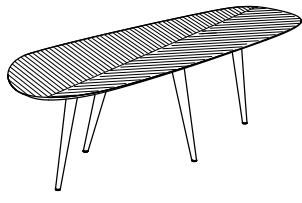
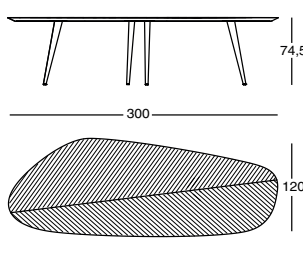
**Table.** Honeycomb wood top, 50 mm thick, with aluminium honeycomb core, veneered with open pore stained ash in the colours algae, amaranth, espresso or black or in oak stained ash. Legs made of solid stained ash in the same colours as the top. We offer the possibility to position the legs either flush with the top or slightly back.

Perspective	Front/Plan	Sizes cm.	Open pore stained ash	Oak stained ash	
 2760		190x100	5.015	5.015	
		240x100	5.670	5.670	
		270x100	6.045	6.045	
		150x150	4.835	4.835	

# 2316 TWEED

Design by Garcia Cumini  
Project year 2017

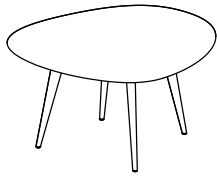
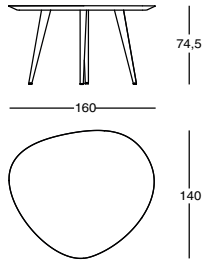
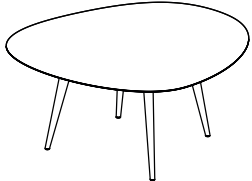
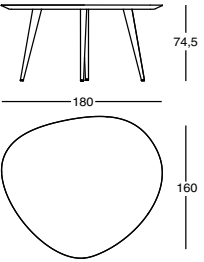
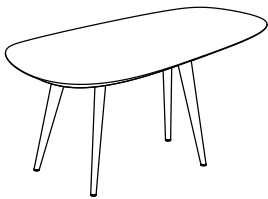
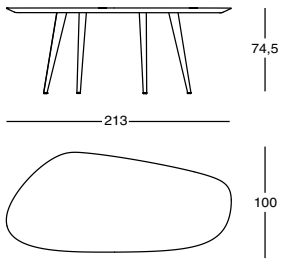
**Table.** Top available either in natural painted oak veneered wood thickness 40 mm, with grey painted under-top, or black painted with an open pore, with black painted under-top or in natural painted Canaletto walnut veneered wood, thickness 40 mm, with black painted under-top. Legs are available respectively in natural painted solid oak, or in open pore black painted oak, or in natural painted Canaletto walnut. Black painted aluminium adjustable foot.

Perspective	Front/Plan	Version	Price		
 <p><b>2316/160</b></p>		Natural oak	4.455		
		Black oak	4.710		
		Walnut	4.810		
 <p><b>2316/180</b></p>		Natural oak	5.110		
		Black oak	5.410		
		Walnut	5.495		
 <p><b>2316/213</b></p>		Natural oak	3.895		
		Black oak	4.095		
		Walnut	4.290		
 <p><b>2316/250</b></p>		Natural oak	4.765		
		Black oak	4.965		
		Walnut	5.070		
 <p><b>2316/300</b></p>		Natural oak	5.440		
		Black oak	5.765		
		Walnut	5.835		

# 2319 TWEED

Design by Garcia Cumini  
Project year 2017

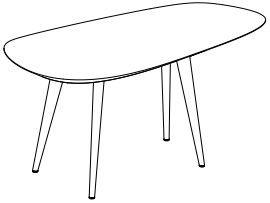
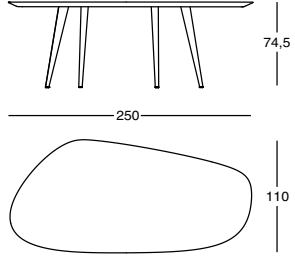
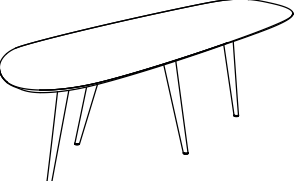
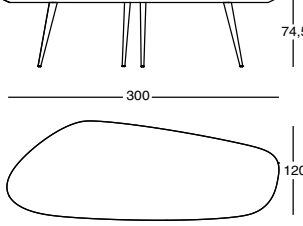
**Table.** MDF top, thickness 40 mm, matt lacquered in the colours hemp, amaranth, espresso, anthracite and black. Legs lacquered in the same colours as the top. Black painted aluminium adjustable feet.

Perspective	Front/Plan	Version	Price		
 <p>2319/160</p>		Single	4.455		
 <p>2319/180</p>		Single	5.110		
 <p>2319/213</p>		Single	3.895		

# 2319 TWEED

Design by Garcia Cumini  
Project year 2017

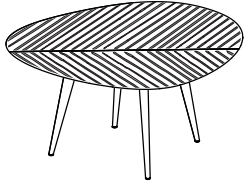
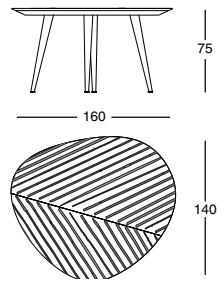

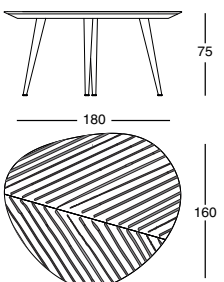

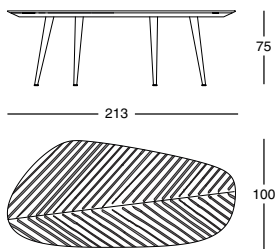

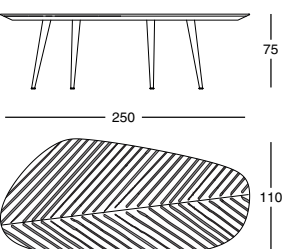
**Table.** MDF top, thickness 40 mm, matt lacquered in the colours hemp, amaranth, espresso, anthracite and black. Legs lacquered in the same colours as the top. Black painted aluminium adjustable feet.

Perspective	Front/Plan	Version	Price				
 <p>2319/250</p>		Single	4.765				
 <p>2319/300</p>		Single	5.440				

# 2318 TWEED MARBLE

Design by Garcia Cumini  
Project year 2023

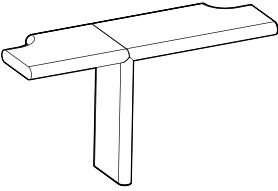
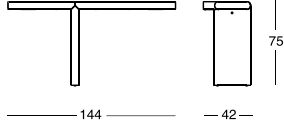
**Table.** Top in Striato Olimpico marble, thickness 20 mm, with stain resistant protective varnish in clear matt polyester. MDF under-top, thickness 40 mm, lacquered matt black. Legs in matt black painted tubular steel.

Perspective	Front/Plan	Sizes cm.	Price				
 <p>2318/160</p>		160x140	7.905				
 <p>2318/180</p>		180x160	10.020				
 <p>2318/213</p>		213x100	7.985				
 <p>2318/250</p>		250x110	9.330				

# 792 ZAVOLO

Design by Zaven  
Project year 2024

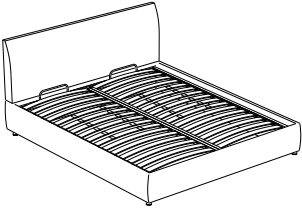
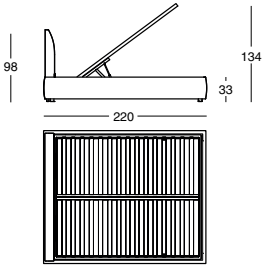
**Console table.** MDF frame, matt lacquered in the colours talc, wax, lilac, hemp, caramel, orange, amaranth, grass green, espresso and black. Must be fastened to wall.

Perspective	Front/Side	Version	Price		
 <p>792</p>		Single	2.787		

# 1840 TALAMO BOX

Design by Damian Williamson  
Project year 2011

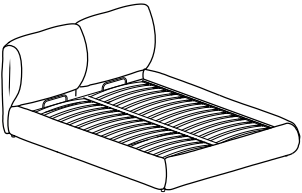
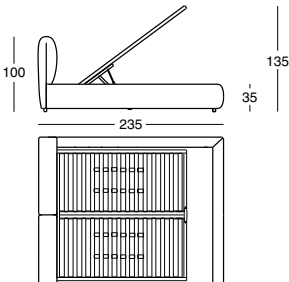
**Bed with container unit.** Aluminium varnished steel springing frame. Suspension in natural bent beech strips, with stiffness adjusters, inserted in nylon joints. Upholstered headboard in self-extinguishing polyurethane foam/heat-bound polyester fibre. Fixed internal nylon cover. Removable external cover in fabric or leather. The bed fitted inside the base, is furnished with a container unit accessed by lifting the springing with a special device. The sizes written in brackets are those of the mattress.

Perspective	Side/Plan	Cover Categories	172x220 (160x200)	182x220 (170x200)	192x220 (180x200)
 <p>1840</p>		C.o.f.	5.060	5.150	5.295
		20	5.060	5.150	5.295
		30	5.260	5.360	5.510
		40	5.350	5.455	5.605
		Leather 95	6.920	7.070	7.270
		Leather 98	7.185	7.345	7.555
Leather 99	7.805	7.990	8.220		

# 1750 ZA:ZA BED

Design by Zaven  
Project year 2024

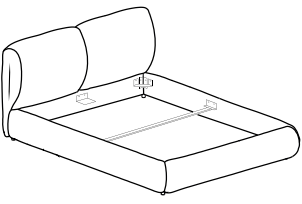
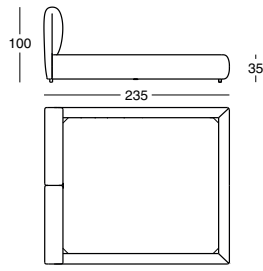
**Bed with container unit.** Base and headboard in MDF upholstered with regenerated and regenerable polyester balls. Aluminium varnished steel springing frame. Suspension in natural bent beech strips, with stiffness adjusters, inserted in nylon joints. Internal regenerated and regenerable polyester fabric; removable external fabric cover. The bed fitted inside the base, is furnished with a container unit accessed by lifting the springing with a special device. The sizes written in brackets are those of the mattress.

Perspective	Side/Plan	Cover Categories	195x235 (160x200)	205x235 (170x200)	215x235 (180x200)
 <p>1750</p>		C.o.f.	6.475	6.620	6.845
		20	6.475	6.620	6.845
		30	6.745	6.890	7.125
		40	6.865	7.015	7.250



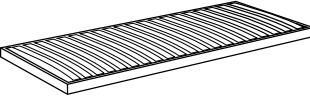
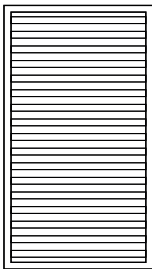
# 1751 ZA:ZA BED Design by Zaven Project year 2024

**Bed.** Base and headboard in MDF upholstered with regenerated and regenerable polyester balls. Internal regenerated and regenerable polyester fabric; removable external cover in fabric. The bed is equipped with height-adjustable corner supports on which the separately supplied springing can be placed. The sizes written in brackets are those of the mattress.

Perspective	Side/Plan	Cover Categories	195x235 (160x200)	205x235 (170x200)	215x235 (180x200)
 1751		C.o.f.	4.760	4.870	5.025
		20	4.760	4.870	5.025
		30	5.025	5.140	5.305
		40	5.150	5.265	5.430

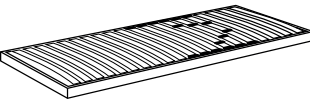
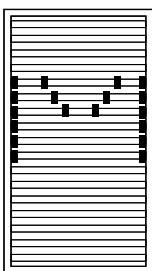
# 1752 RETI LETTO

**Bed slatted bases.** Removable slatted bases. Fixed version, supporting frame in beech plywood, suspension in natural colour curved beech slats, inserted in latex tilting joints.

Perspective	Plan	Sizes cm.	Price		
 1752		80x200	345		
		85x200	345		
		90x200	375		

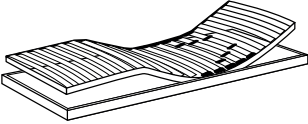
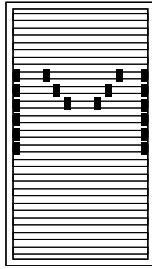
# 1753 RETI LETTO

**Bed slatted bases.** Removable slatted bases. Fixed version, supporting frame in beech plywood, suspension in curved beech slats with moisture-proof protective paper, inserted in technopolymer joints, adjustable lumbar zone with rigidity sliders.

Perspective	Plan	Sizes cm.	Price		
 1753		80x200	605		
		85x200	605		
		90x200	785		

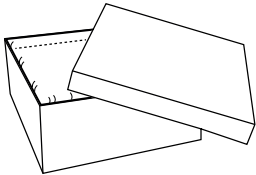
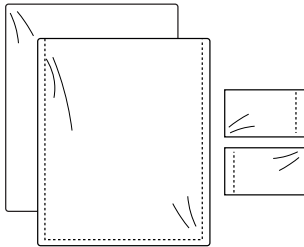
# 1754 RETI LETTO

**Bed slatted bases.** Removable slatted bases. Adjustable version: double supporting frame in beech plywood, suspension in curved beech slats with moisture-proof protective paper, inserted in technopolymer joints, adjustable lumbar zone with rigidity sliders. The inclination of the slats in correspondence of the headboard and footboard are adjustable, independently, by means of a manually controlled movement.

Perspective	Plan	Sizes cm.	Price		
 <p>1754</p>		80x200	1.005		
		85x200	1.025		
		90x200	1.190		

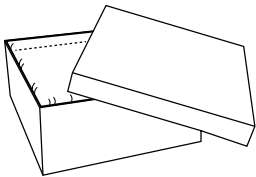
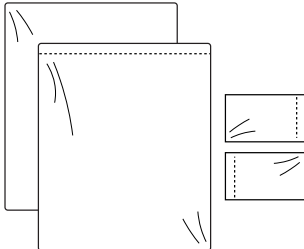
# 1799 KIT LENZUOLA INVERNALE

**Sheets.** The winter set includes a bottom sheet, a top sheet and two pillowcases. The set is made of percale cotton with tone-on-tone stitching in the colours of the sample card.

Perspective	Plan	Sizes cm.	Price		
 <p>1799</p>		170x200	465		
		190x200	515		
		200x200	550		

# 1799 KIT LENZUOLA ESTIVO


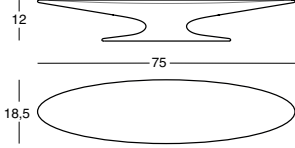
**Sheets.** The summer set includes a bottom sheet, a top sheet and two pillowcases. The sets is made of percale cotton with tone-on-tone stitching in the colours of the sample card.

Perspective	Plan	Sizes cm.	Price		
 <p>1799-2</p>		170x200	390		
		190x200	445		
		200x200	485		

# 9560 ARA FENICE

Design by Piero Bottoni  
Project year 1951


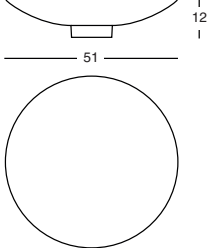
**Centerpiece** . Centerpiece made of cement and aggregates, colour grey.

Perspective	Front/Plan	Version	Price		
 <p>9560</p>		Single	650		

# 9400 CUCULIA

Design by Alessandro Mendini  
Project year 1985


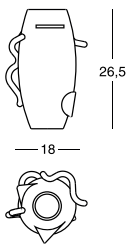
**Bowl**. Bowl in hard polyurethane, two-tone bright glossy lacquered: coral-red inside/green outside or amaranth inside/caramel outside.

Perspective	Front/Plan	Version	Price		
 <p>9400</p>		Single	1.205		

# 9550 DEALBATA

Design by Alessandro Mendini  
Project year 1986

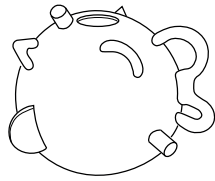
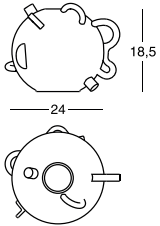
**Vase**. Vase in white or orange glazed clay. Hand-applied ornamental decoration.

Perspective	Front/Plan	Version	Price		
 <p>9550</p>		Single	451		

# 9551 DEALBATA

Design by Alessandro Mendini  
Project year 1986


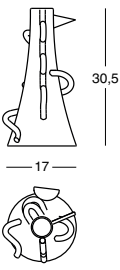
**Vase.** Vase in white or orange glazed clay. Hand-applied ornamental decoration.

Perspective	Front/Plan	Version	Price		
 <p>9551</p>		Single	451		

# 9552 DEALBATA

Design by Alessandro Mendini  
Project year 1986

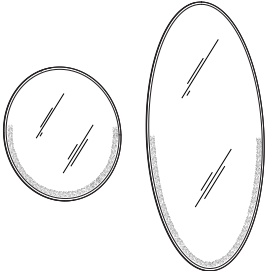
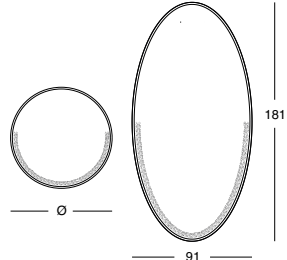
**Vase.** Vase in white or orange glazed clay. Hand-applied ornamental decoration.

Perspective	Front/Plan	Version	Price		
 <p>9552</p>		Single	451		

# 8858 SOSIA


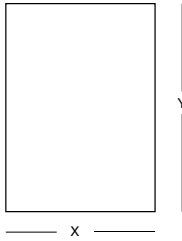
Design by Ugo La Pietra  
Project year 1982

**Mirror.** Extra clear 8 mm thick bevelled plate glass, decorated with digital printing, silver back. On request, it is possible to integrate a neutral warm LED light source at the rear of the mirror.

Perspective	Front	Sizes cm.	Mirror	Mirror with led	
 <p>8858</p>		Ø 57	1.325	2.200	
		Ø 90	1.955	3.020	
		91x181	3.450	4.915	

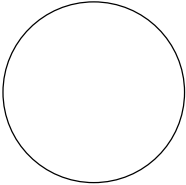
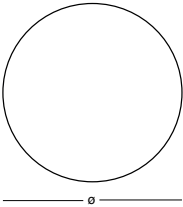
# 160 THAR

**Carpet.** Hand-knotted carpet made of 100% New Zealand wool. Hand-knotted perimeter edging with wool yarn. The overall thickness of the carpet is approx. 22 mm and the weight is 3.8 kg/sqm. Colours orange, hemp or espresso.

Plan	Plan	Sizes cm.	Price		
		200x300	2.260		
		250x350	3.305		

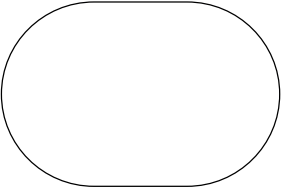
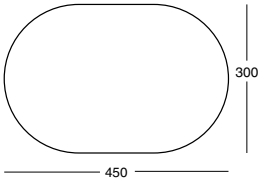
# 161 THAR

**Carpet.** Hand-knotted carpet made of 100% New Zealand wool. Hand-knotted perimeter edging with wool yarn. The overall thickness of the carpet is approx. 22 mm and the weight is 3.8 kg/sqm. Colours orange, hemp or espresso.

Plan	Plan	Sizes cm.	Price		
		Ø 300	3.055		
		Ø 350	4.155		

# 162 THAR

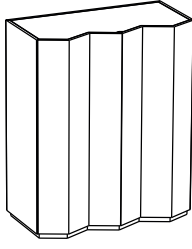
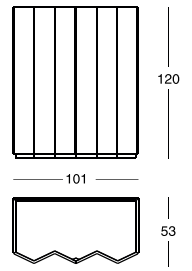
**Carpet.** Hand-knotted carpet made of 100% New Zealand wool. Hand-knotted perimeter edging with wool yarn. The overall thickness of the carpet is approx. 22 mm and the weight is 3.8 kg/sqm. Colours orange, hemp or espresso.

Plan	Plan	Sizes cm.	Price		
		300x450	5.575		

# 726 Z24

Design by Muller Van Severen  
Project year 2024

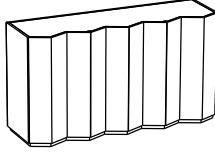
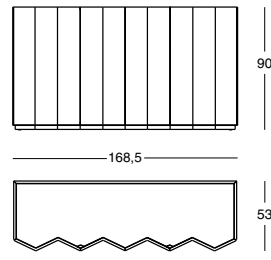
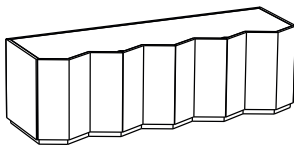
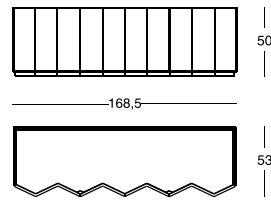
**Cupboard.** Frame in MDF and blockboard wood, matt lacquered in the colours talc, wax, hemp, caramel, orange, amaranth, grass green, espresso and black. Adjustable internal shelves in 10 mm thick tempered plate glass. On request, it is possible to integrate a neutral LED light source inside the cupboard.

Perspective	Front/Plan	Version	Cupboard	Cupboard with led		
 <p>726</p>		Single	6.125	6.900		

# 727 Z24

Design by Muller Van Severen  
Project year 2024

**Storage unit.** Frame in MDF and blockboard wood, matt lacquered in the colours talc, wax, hemp, caramel, orange, amaranth, grass green, espresso and black. Adjustable internal shelves in 10 mm thick tempered plate glass. On request, it is possible to integrate a neutral LED light source inside the storage unit.

Perspective	Front/Plan	Version	Storage unit	Storage unit with led		
 <p>727_A</p>		727A High	8.900	9.660		
 <p>727_B</p>		727B Low	6.970	7.735		